




Universitetet
i Stavanger

FACULTY OF SCIENCE AND TECHNOLOGY

MASTER'S THESIS

Study program/specialization: Mechanical and Structural Engineering and Material Science/Mechanical Engineering	Spring semester, 2017 Confidential
Author: Finn Inge Røsholm	 (signature of author)
Program coordinator/academic supervisor: R.M. Chandime Ratnayake	External supervisor: Samuel Bauer
Title of master's thesis: Optimization of Elevator Guide System on Ships	
Credits (ECTS): 30	
Keywords: High-level assessment Concept development FEM-simulation Optimization Ship motion Guide rail Brackets	Number of pages: 73 + supplemental material/other: 45 Stavanger, <u>15.06.2017</u> date/year

Acknowledgment

This paper is written as a Master`s Thesis for the Faculty of Science and Technology at the University of Stavanger and in collaboration with thyssenrup Elevator during the spring of 2017. The main part of the study is conducted at the marine department of thyssenkrupp located in Ålesund, where the company provided both office space and expertise during the research period.

The academic supervisor for this project is Chandima ratnayake, who deserve a great deal of credit for establishing the company relation and for helpful input and support, operating as the university link. To the external supervisor Samuel Bauer, head of marine and offshore division in Norway, much obliged for identifying the issue as a suitable thesis and for executing the necessary arrangements, making the project possible.

Appreciation is directed towards Geir Hansen, general manager of thyssenkrupp Elevator in Norway, for approving the project. The utmost respect and gratitude is given to the entire marine department in Ålesund for exceptional treatment, superior guidance and a large amount of patience.



Finn Inge Røsholm

Abstract

The marine department of thyssenkrupp Elevator in Norway is looking for opportunities to optimize their installations for elevators on ships. Traditionally, their methods are based on the expertise from land-based installations, where the dimensions of the critical components are increased drastically in order to compensate for the potential impacts caused by the maritime conditions. In relation to this, there are reason to suspect over-engineering that effects both the weight and cost of the finished product. In order to get an installation certified, the system must be validated against the requirements for marine operations set by the notifying body. When the ship motions are introduced, the elevator components responsible for maintaining the structural stability is referred to as the Elevator Guide System. This system contains a set of guide rails that shall provide a sufficient support of the moving elements within the shaft and several brackets along the guide that connects the rail to the trunk wall.

An extensive study on existing standards and internal documents related to the issue is conducted in order to identify the essential requirements and how they relate to the application. Based on this research, the mathematical relationships are defined and applied for the appropriate components in order to develop an optimized method for sizing of the guide rails. In addition, a structural analysis is performed for the system, using two alternative constructions for the bracket solution. The alternative methods for executing the installation of the guide system are defined as four separate concepts that are assessed against the principles of complexity, risk and cost.

The analytic results reviled an applicable and highly effective method for sizing of the guide rails, where the optimal dimension within the requirements is suggested for any given project. The conducted FEM-simulation provided a sufficient validation for both bracket solutions against the applied worst-case load conditions that were identified. An estimation of the potential savings across the concepts for installation indicated a significant difference in expenditures related to the applied specifications on sizing method and bracket solution.

The assessment carried out in this study suggests that the concepts based on the traditional method of sizing should not be considered for future installations as the overall reduction potential indicates a substantial advantage of implementing the optimized method, which has been approved by DNV GL as an appropriate method for validation. In addition, the applied bracket solution can severely influence the installation time. However, the preferred bracket is only applicable for elevator trunks with smooth surfaces, which really is the case, as shipyards tend to locate the necessary stiffeners on the inside of the elevator shaft. To resolve this issue, it is recommended that thyssenkrupp establish customer relationships that allows for dialog and discussions regarding the installation related to the elevator specifications in the early stages of a project. In doing so, it should be possible to conduct certain arrangements so that the preferred bracket can be applied. In doing so, the opportunity of implementing the best possible solution for each individual installation should be made feasible.

Content

1. Introduction	1
1.1 Problem definition.....	1
1.2 Constraints	2
2. Documentation.....	3
2.1 State of art.....	3
2.2 Elevator Guide System (EGS).....	4
2.2.1 Guide rails.....	5
2.2.2 Brackets.....	8
2.2.3 Accessories.....	10
2.3 Rules and requirements	12
2.3.1 Buckling	12
2.3.2 Ship Motion	14
2.3.3 Load cases	20
2.3.4 Material.....	23
2.4 Installation and product specification	24
3. Structural methodology.....	25
3.1 Screening criteria.....	25
3.2 Evaluation process.....	27
3.2.1 Sizing of guide rails.....	28
3.2.2 Validation of brackets.....	36
3.3 Potential savings.....	40
3.3.1 Type and amount of guide rails.....	40
3.3.2 Estimation of installation time	42
4. Analytic results	43
4.1 Standardization of guide rail dimensions.....	43
4.2 Structural analysis of brackets	45
4.2.1 Load case 1: Direct load on x-x.....	46
4.2.2 Load case 2: Direct load on y-y.....	48
4.2.3 Load case 3: Centered load on x-x.....	50
4.2.4 Load case 4: Centered load on y-y.....	52
4.2.5 Load case 5: Vertical drag with slip.....	54
4.2.6 Overall bracket stress results.....	56
4.3 Estimated savings	58

4.3.1	<i>Material cost and weight</i>	<i>58</i>
4.3.2	<i>EGS-installation cost.....</i>	<i>59</i>
4.3.3	<i>Overall reduction potential of EGS-expenses</i>	<i>60</i>
5.	Discussion.....	63
5.1	Assessment.....	63
5.1.1	<i>Concept 1: Traditional welded.....</i>	<i>63</i>
5.1.2	<i>Concept 2: Traditional adjustable</i>	<i>64</i>
5.1.3	<i>Concept 3: Optimized welded.....</i>	<i>64</i>
5.1.4	<i>Concept 4: Optimized adjustable.....</i>	<i>65</i>
5.1.5	<i>Weighted screening.....</i>	<i>65</i>
5.2	General	67
6.	Conclusion	69
7.	References.....	71
8.	List of appendices	73

List of figures

Figure 1 Elevator Components [1]	3
Figure 2 Elevator Guide System inside ship shaft.....	4
Figure 3 T-shaped guide rail	5
Figure 4 Guide rails supporting elevator car trough guide shoe connection	5
Figure 5 Production process [3]; a) liquid steel casting, b) steel rolling, c) strengthening	6
Figure 6 Cross-section of a guide rail with indications corresponding with Table 1 [5]	6
Figure 7 Pack of guide rails ready for shipment from the factory [3]	7
Figure 8 Brackets.....	8
Figure 9 Welded bracket with indicated welding line to the trunk wall and stiffener	8
Figure 10 Adjustable bracket solution	9
Figure 11 EGS accessories [3].....	10
Figure 12 Halfen framing system and its components.....	10
Figure 13 Rail clip and how it is implemented in the EGS, supporting the guide rail.....	11
Figure 14 Fish plate.....	11
Figure 15 Bucklin load.....	12
Figure 16 Illustration: Guide application must be considered	13
Figure 17 Ship motion in six degrees of freedom [7].....	14
Figure 18 Rotation angle and period for a rolling ship	15
Figure 19 Magnitude of acceleration from simulation with the period $T=10$ seconds	16
Figure 20 Indication on how the height of the moving mass can be considered	17
Figure 21 Determination of height for ship elevators	17
Figure 22 Comparison of mass acceleration for centered and offset elevator shafts	18
Figure 23 Free body diagram of accelerations acting on a mass in rolling conditions	19
Figure 24 Illustration; Weight hanging from cable	20
Figure 25 Force on guide rail.....	20
Figure 26 Positioning of guide rails in ship and acting forces during roll	21
Figure 27 Force on guide rail centered between two bracket supports	21
Figure 28 Exploded view of the welded bracket solution	25
Figure 29 Exploded view of the adjustable bracket solution	26
Figure 30 Interface of the manual calculation tool.....	28
Figure 31 Various rail dimensions [12]	29
Figure 32 Maximum bracket distance for loads on the x-x axis of a T90/B guide during roll	30
Figure 33 Resulting stress from maximum bracket distance	32
Figure 34 Elevator components in shaft oriented in opposite direction.....	33
Figure 35 Interface of calculation tool for automatic sizing of guide rails	34
Figure 36 Height options.....	35
Figure 37 Weight options.....	35
Figure 38 Load case 1 and 2	36
Figure 39 Load case 3, 4 and 5.....	37
Figure 40 Component mesh for the welded bracket solution	38
Figure 41 Component mesh for the adjustable bracket solution	39
Figure 42 Forces determined for FEM-analyses based on the worst-case measurements ..	39
Figure 43 Simplified sketch of the elevator components for the Sunshine project.....	40
Figure 44 Limits for transverse guide rails.....	43
Figure 45 Limits for longitudinal guide rails	44

Figure 46	Hurtigruten is a typical examples of projects thyssenkrupp is undertaking [13]	44
Figure 47	Illustration of an EGS with applied load in ANSYS.....	45
Figure 48	Load case 1 on welded system	46
Figure 49	Load case 1 for welded bracket: Simulated worst-case stress result.....	46
Figure 50	Load case 1 for welded bracket: Simulated extreme stress result.....	46
Figure 51	Load case 1 on adjustable system	47
Figure 52	Load case 1 for adjustable bracket: Simulated worst-case stress result	47
Figure 53	Load case 1 for adjustable bracket: Simulated extreme stress result	47
Figure 54	Load case 2 on welded system	48
Figure 55	Load case 2 for welded bracket: Simulated worst-case stress result.....	48
Figure 56	Load case 2 for welded bracket: Simulated extreme stress result.....	48
Figure 57	Load case 2 on adjustable system	49
Figure 58	Load case 2 for adjustable bracket: Simulated worst-case stress result	49
Figure 59	Load case 2 for adjustable bracket: Simulated extreme stress result	49
Figure 60	Load case 3 on welded system	50
Figure 61	Load case 3 for welded bracket: Simulated worst-case stress result.....	50
Figure 62	Load case 3 for welded bracket: Simulated extreme stress result.....	50
Figure 63	Load case 3 on adjustable system	51
Figure 64	Load case 3 for adjustable bracket: Simulated worst-case stress result	51
Figure 65	Load case 3 for adjustable bracket: Simulated extreme stress result	51
Figure 66	Load case 4 on welded system	52
Figure 67	Load case 4 for welded bracket: Simulated worst-case stress result.....	52
Figure 68	Load case 4 for welded bracket: Simulated extreme stress result.....	52
Figure 69	Load case 4 on adjustable system	53
Figure 70	Load case 4 for adjustable bracket: Simulated worst-case stress result	53
Figure 71	Load case 4 for adjustable bracket: Simulated extreme stress result	53
Figure 72	Load case 5 on welded system	54
Figure 73	Load case 5 for welded bracket: Simulated heavy load stress result.....	54
Figure 74	Load case 5 for welded bracket: Simulated extreme stress result.....	54
Figure 75	Load case 5 on adjustable system	55
Figure 76	Load case 5 for adjustable bracket: Simulated heavy load stress result	55
Figure 77	Load case 5 for adjustable bracket: Simulated extreme stress result	55
Figure 78	Welded bracket stress results from structural analysis.....	57
Figure 79	Adjustable bracket stress results from structural analysis.....	57
Figure 80	Guide rail cost and weight rounded off to the nearest hundred.....	58
Figure 81	Estimated concept EGS-installation cost for PNO1967	59
Figure 82	Estimated overall EGS-expenses for PNO1976	60

List of tables

Table 1	Guide rail dimensions corresponding with Figure 6 and according to ISO 7465	6
Table 2	Technical characteristics for guide rails according to ISO 7465.....	7
Table 3	Standardized requirements for roll and pitch in operating and stowed conditions	15
Table 4	Yield strength of steel grade depending on thickness	23
Table 5	Component stress.....	23
Table 6	Cost and weight for spesific guide rail products à 5 m	24
Table 7	Hourly rate for technicians during installation.....	24
Table 8	EGS-concepts	26
Table 9	Component mesh.....	38
Table 10	Forces applied for both a worst-case and an extreme scenario	40
Table 11	Traditional and optimized sizing for PNO1967 based on project specifications	41
Table 12	Number of five meter guide rails needed for PNO1967.....	41
Table 13	Estimate of EGS-installation schedule pr. shaft for PNO1967	42
Table 14	Load case 1 for welded bracket: Values from simulation results	46
Table 15	Load case 1 for adjustable bracket: Values from simulation results	47
Table 16	Load case 2 for welded bracket: Values from simulation results	48
Table 17	Load case 2 for adjustable bracket: Values from simulation results	49
Table 18	Load case 3 for welded bracket: Values from simulation results	50
Table 19	Load case 3 for adjustable bracket: Values from simulation results	51
Table 20	Load case 4 for welded bracket: Values from simulation results	52
Table 21	Load case 4 for adjustable bracket: Values from simulation results	53
Table 22	Load case 5 for welded bracket: Values from simulation results	54
Table 23	Load case 5 for adjustable bracket: Values from simulation results	55
Table 24	Compete list of simulated bracket stress results	56
Table 25	Material cost and weight for the guide rails needed in the six ellevator shafts	58
Table 26	Potential material savings when applying the optimized method for sizing	59
Table 27	Estimated EGS-installation cost.....	59
Table 28	EGS-installation cost reduction for the various concepts	60
Table 29	Estimated overall EGS-expenses for PNO1967	60
Table 30	Current potential projects and elevator shafts	61
Table 31	Estimated reduction potential for overall EGS-expenses.....	61
Table 32	Concept 1: Rated score	64
Table 33	Concept 2: Rated score	64
Table 34	Concept 3: Rated score	64
Table 35	Concept 4: Rated score	65
Table 36	Weighted screening for objective assessment of concepts	66

Acronyms & Symbols

ABS	: American Bureau of Shipping
BRK	: Bracket
CW	: Counterweight
DNV GL	: Det Norske Veritas Germanischer Lloyd
EGS	: Elevator Guide System
GR	: Guide rail
ISO	: International Organization for Standards
LR	: Lloyds Register
PL	: Passenger lift
SL	: Service lift
WoR	: Weight on rope
a	: Acceleration [m/s^2]
b_1	: Guide rail width [mm]
c	: Width of the connecting part of the foot to the blade [mm]
D	: Depth of bulkhead [m]
E	: Module of elasticity [GPa] (210)
e	: Distance from the rear surface to the center of gravity of the guide rail [mm]
EUR	: Euro [€] (9.3 NOK)
f	: Width of the connecting part of the foot to the blade [mm]
F	: Force [N]
g	: Foot depth at its extremity in a transverse plane [mm]
g^*	: Gravity [m/s^2] (9.81)
H	: Total height of mass [m]
h	: Radius as height for centered shaft [m]
h_1	: Guide rail height [mm]
I	: Moment of inertia of the cross-sectional area of the guide rail [cm^4]
i	: Radius of gyration [cm]
k	: Blade width [mm]

l	: Bracket distance [mm]
M_b	: Bending moment [Nm]
n	: Blade height [mm]
NOK	: Norwegian kroners [kr]
P	: Sum of car weights [kg]
q	: Linear density for a finished guide rail [kg/m]
Q	: Rated load [kg]
r_s	: Foot radius [mm]
S	: Cross-sectional area of the guide rail [cm ²]
T	: Rotation angle [°]
V	: Cross-sectional area modulus [cm ³]
W	: Total weight on rope [kg]
Z	: Effective height of mass [m]
δ	: Deflection [mm]
θ	: Period [s]
λ	: Coefficient of slenderness
σ	: Stress [MPa]
ω	: Bucking factor

1. Introduction

As an increasing trend, shipyards are building their vessels with elevator trunks implemented in the design and the demand for elevator installations on ships is raising in the Norwegian market. The company thyssenkrup Elevator is one of the leading suppliers of lifts worldwide and their marine department in Norway is conveniently located in Ålesund with immediate proximity to the largest shipyards in the country. Historically, the department has been conducting projects for land-based installation, but is now directing their focus towards the marine industry.

When the elevator components are transferred from the steady land-based conditions and installed for the purpose of operating in marine conditions, a series of associated requirements appears, which must be fulfilled in order to obtain the structural stability of the components. In order to get a marine installation certified, the system must be validated and approved by a notifying body.

As a respectable, but relatively new supplier of marine elevators, thyssenkrup is looking for research opportunities within this field in order to increase knowledge, optimize their products and stay competitive against more experienced suppliers.

1.1 Problem definition

As the marine elevators will be exposed to ship motion, a new spectrum of load cases is introduced in addition to the effects from the vertical travel, where the components are subjected to impacts in the horizontal direction as well. In this case, the components responsible for supporting the moving elements within the shaft must possess the structural abilities to withstand the resulting loads. These elements combined are referred to as the Elevator Guide System and is considered as the essential part in the installation with respect to the validation and certification of the elevator.

The existing design of this system is mainly based on the expertise from the land-based elevators, where the dimension of the components are increased drastically to compensate for the maritime load cases. Over-engineering is strongly suspected and the main objective of this research is to identify the main requirements set by the notifying body and process the information in order to develop an optimized solution for the system, reducing both cost and weight. In addition, the system must be validated in an appropriate manner so that the suggested solution can be certified and applied for the specific project.

In order to achieve this, an extensive study on existing standards and internal documents related to the topic must be conducted and set in system. Based on the findings, necessary mathematical relationships are to be defined and calculated accordingly. In addition, the structural ability of the system must be examined by performing FEM-simulations for the worst load cases established in the study. Based on the alternative methods for executing the installation of the system, a selection of different concepts shall be identified and reviewed through a high-level assessment with respect to the principles of complexity, risk and cost.

1.2 Constraints

Amongst the several certification societies within the industry, thyssenkrupp is making use of the services provided by DNV GL for the majority of the marine projects that are to be validated. As a consequence of this, the requirements set by this notifying body will be the main focus throughout the research.

When reviewing the Elevator Guide System, the parts that are to be evaluated in this study mainly includes the components that are directly influenced by the specific requirement and the internal products provided by the company. The remaining parts are considered as accessories and are assumed to perform in a sufficient manner as to what is intended.

The work related to the structural analysis of a system is considered to be quite complex and extensive, and in order to complete a sufficient evaluation within the research period, the number of different solutions are limited to a total of *two* separate constructions. These models are to be exposed to several load cases that will identify their structural abilities against the potential worst-case maritime conditions.

In order to produce a fair estimate of the potential savings, it is necessary to perform a series of assumptions and generalizations regarding the installation aspects. These simplifications are not intended to result in precise budgeting, but rather to provide a narrative indication on the potential cost reduction in relation to the choice of installation concept.

In an attempt to pass an objective judgement on the different concepts, a weighted screening is to be performed based on the individual performance against the principles of complexity, risk and cost, and the impact they may have on the installation process. In order to conduct such a screening, the more concise results retrieved in the research is to be combined with a series of estimations made in relation to the potential severity

The disposition in this report consists of five main parts reflecting the work performed in this research. Chapter *two* contains the documentation of the important factors that this study is based on. This includes the definition of the system components, the identification of rules and requirements related to the marine applications and installation specifications. Chapter *three* describes the structural methodology as to how the work is conducted, based on criteria for screening, process of evaluation and assumptions made for the estimations. In chapter *four*, the analytic results are presented in accordance to the processes described in the previous chapter. The discussion in chapter *five* is divided into two parts where a higher level assessment is conducted for the concepts before the general aspects of the research is discussed in greater detail. The main conclusions are drawn in chapter *six* and further recommendations are stated based on the research as a whole.

2. Documentation

The documentation for some of the important factors that influence the decisions made in this research are presented in this chapter.

2.1 State of art

For elevators on ships, it is common for the shipyard to provide the specified dimensions of the inbuilt trunk where the supplier can install the components of the elevator system. The system consists of complex structural, mechanical and electrical unites. For a typical traction elevator, the main components are illustrated in *Figure 1*.

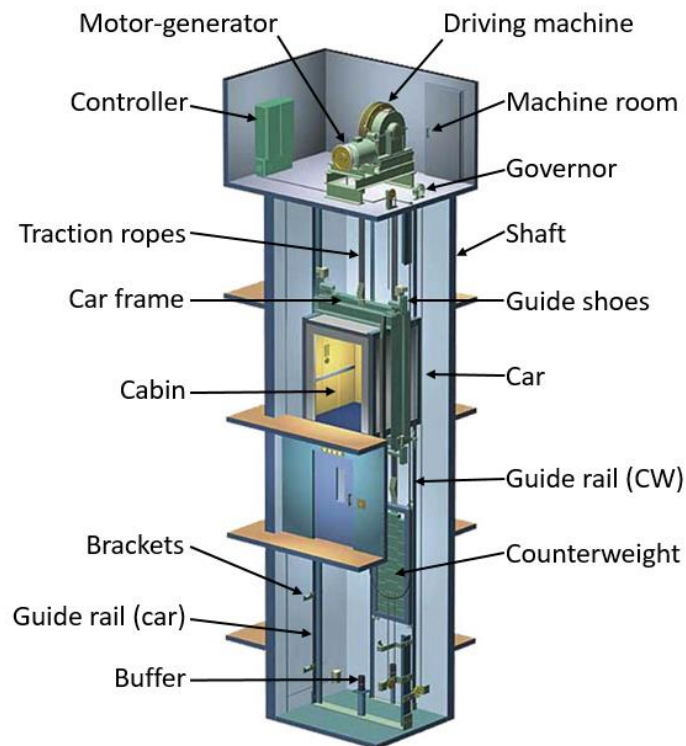


Figure 1 Elevator Components [1]

The cabin is placed inside a car frame which provides the supporting structure of the car. Multiple traction ropes are attached to a crosshead beam on top of the car and travels around a driving machine located in the machine room above the elevator shaft. The power needed to drive the elevator is generated by an electrical motor and contained by a controller system. In order to compensate for the weight of the car, a counterweight, which contains a steel frame filled with secured weight plates is connected at the other end of the traction ropes. The traction elevator can also be installed as machine room-less, where the complete traction system is connected and supported from a massive crosshead beam at the top of the elevator shaft. Various safety components are common to be included in the installation. Amongst these are the governor, which provides an emergency stop in case of increased velocity, and the buffers which function as dampers when contact occurs at the bottom surface.

An alternative to the traction elevator is a hydraulic solution, where the traction system is replaced by a hydraulic telescope cylinder, providing a vertical motion from below the car-deck. Common for both solutions is the *Elevator Guide System*, maintaining the positioning of the car within the shaft.

2.2 Elevator Guide System (EGS)

The system consist of several components and is installed on each side of the car providing guidance during the vertical travel. The intermediates are welded to the trunk wall and connected to one or two brackets in order to adjust the positioning of the T-shaped guide rails. *Figure 2* shows an example of how the EGS can be installed inside the shaft on a ship.

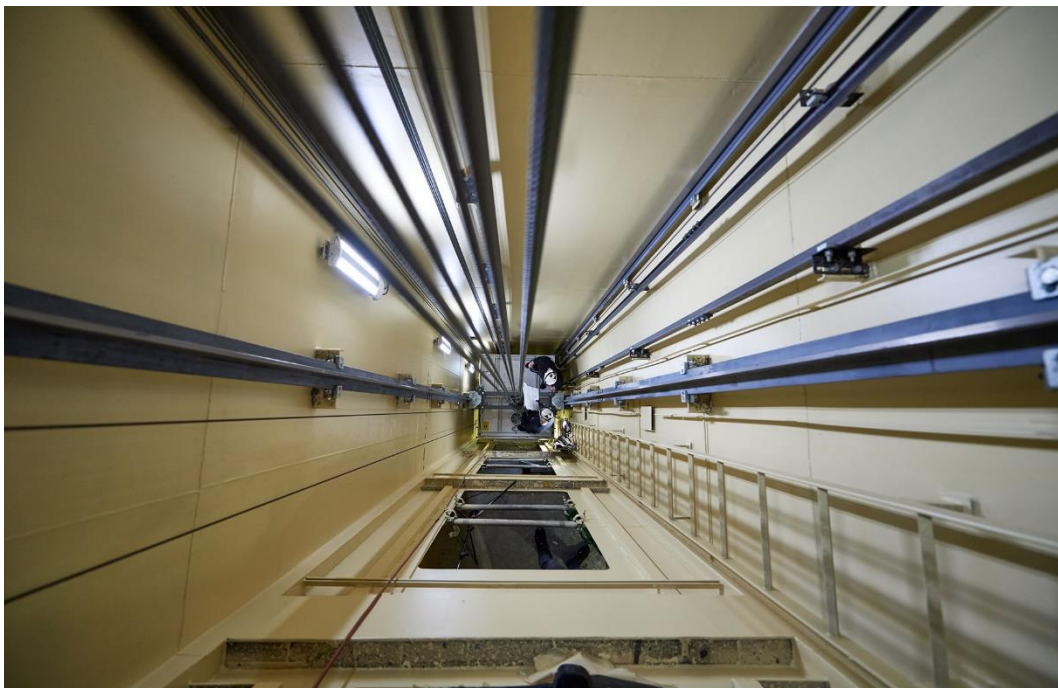


Figure 2 Elevator Guide System inside ship shaft

For vertical motion, the EGS is not exposed to loads, other than the weight of its own components, when normal conditions applies. For elevators installed on ships, the support system is subjected to both longitudinal and transverse loads when the ship motion is introduced. The car is connected to the guide rails through a total of four guide shoes (or roller guides) integrated at the top and bottom of the car frame at each side. The same principle is applied for the guide support of the counterweight. The EGS ensures a one dimensional elevator movement even when loads caused by the ship motion is applied.

The ESG is vital for any elevator shaft and plays an even bigger role in the event of marine use. It is important that the system is able to withstand the loads that can occur in challenging weather conditions, but both space and weight is a constant concerns for the shipyards and the arrangements on board can cause for difficulties regarding the installation. In order to avoid over-engineering, but still fulfill the rules and requirements, an extensive investigation of the EGS is required.

2.2.1 Guide rails

The EGS-component responsible for guiding the moving parts of an elevator in a vertical direction is the T-shaped guide rail, illustrated in *Figure 3*. These are standardized products with specific shape and dimensions that results in a broad range of rails with different properties and performance. Depending on the choice of dimension, this variety of component sizes may severely influence both the cost and weight of a single project.



Figure 3 T-shaped guide rail

Figure 4 shows how the elevator car can be connected to the EGS trough through four guide shoes that slides vertically along the rails. For stationary installations, like most land based projects, the guide rails are usually not subjected to any significant strain during elevator travel. In this case, the sizing of rail dimension is mainly determined by its ability to carry the vertical lodes in case of an emergency stop. The T-shaped rail geometry possess a high tolerance for this load condition and the requirements are seldom problematic to preserve in these cases.

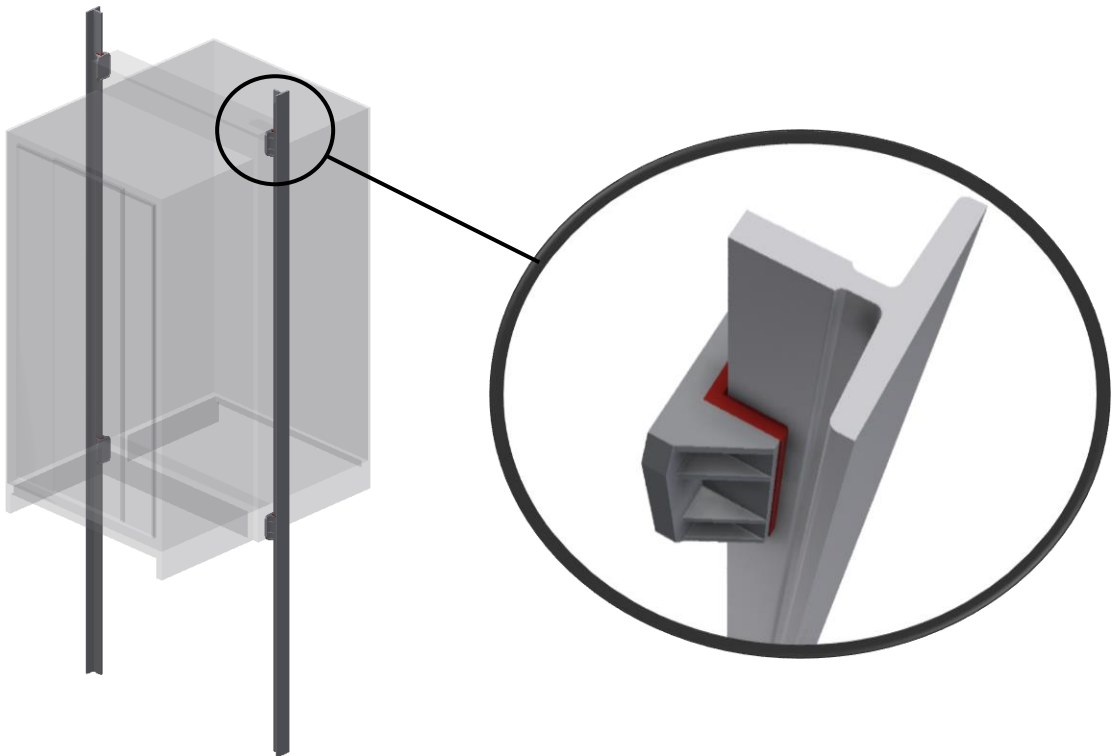


Figure 4 Guide rails supporting elevator car through guide shoe connection

For elevators installed on ships, the evaluation process becomes more complex as the maritime guide rails, in addition to the vertical lodes, must fulfill the requirements to withstand rather large motions in both longitudinal and transverse direction. Depending on the elevator specifications, the resulting horizontal loads are often of great magnitude and the strict tolerance area forces the supplier to install the EGS with massive components to ensure approval by the certification society.

The guide rails may be cold drawn or machined and are casted from liquid steel where the raw material should have a tensile strength between 370 MPa and 520 MPa. For this purpose, it is recommended, according ISO 630 [2], to use steel grade E 235 B for cold drawn rails and E 275 B for machined rails. After a semi-continuous steel rolling process, the rails are cooled down before rough straightened in both horizontal directions. In addition, the guide rails are surface treated and should be cut in lengths of 5 meters before becoming a finished product.

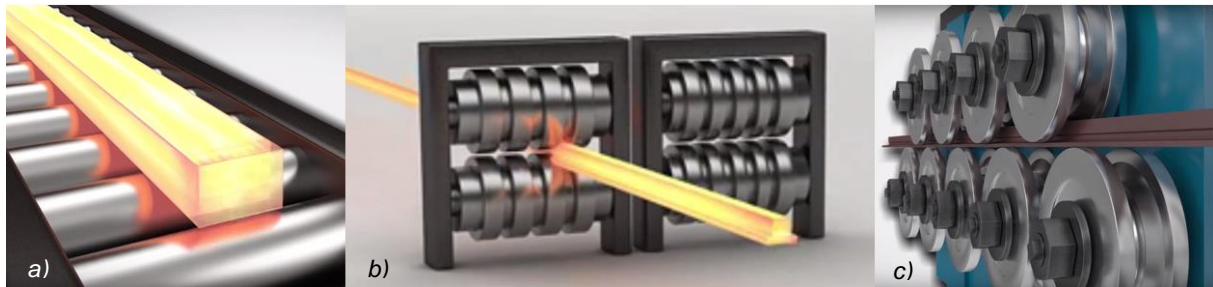


Figure 5 Production process [3]; a) liquid steel casting, b) steel rolling, c) strengthening

The manufacturers are to produce the guide rails following specific ISO-codes and with precise dimensions according to the values listed in Table 1. In this case, the codes are retained from ISO 7465 “Guide rails for lift cars and counterweights” [4], where the first letter, *T*, illustrates the rail shape. The second element of the code implies the foot width, b_1 , and the last element suggests the manufacturing process, where /A indicates cold drawn and /B indicates machined guide rails. Figure 6 shows a cross-section with indicators corresponding to the table values.

Table 1 Guide rail dimensions corresponding with Figure 6 and according to ISO 7465

Dimension (ISO-code)	b_1 [mm]	h_1 [mm]	k [mm]	n [mm]	c [mm]	f [mm]	g [mm]	r_s [mm]	e [mm]
T70/A	70	70	9	35	7,9	8,5	8,5	1,5	22,1
T82/B	82	68	9	26	7,5	8,3	6	3	19,8
T89/B	89	62	16	34	10	11,1	7,9	3	20,3
T90/B	90	75	16	42	10	10	8	4	26,1
T114/B	114	89	16	38	9,5	11,1	8	4	28,7
T125/B	125	82	16	42	10	12	8	4	24,3
T127/B	127	89	16	51	14	15,9	12,7	5	25

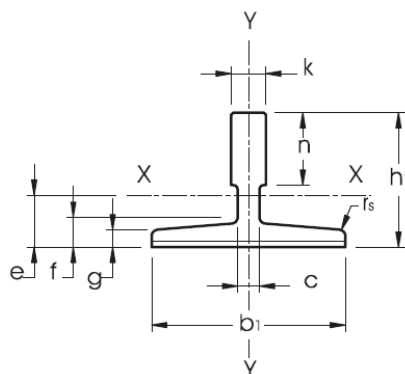


Figure 6 Cross-section of a guide rail with indications corresponding with Table 1 [5]

These geometrical differences makes for a huge variability regarding the weight and performance of the standardized rail dimensions. Based on the mass per meter, q , the products are divided into four classes, from light to massive, according to the color coding in Table 2. In addition, the geometrical properties for a given cross-section is essential for the sizing of the guide rails. The area, S , is used for determination of tension and shear, where as other properties are related to the affecting direction. These include moment of inertia, I , for rail stiffness, area modulus, V , for strength and radius of gyration, i , for compression. Any relationship between these properties is highly dependent on the geometry in question and established according to ISO 7465.

Table 2 Technical characteristics for guide rails according to ISO 7465

Dimension (ISO-code)	q [kg/m]	S [cm ²]	I_{x-x} [cm ⁴]	V_{x-x} [cm ³]	i_{x-x} [cm]	I_{y-y} [cm ⁴]	V_{y-y} [cm ³]	i_{y-y} [cm]
T70/A	8,83	11,25	52,81	10,79	2,16	24,62	7,03	1,48
T82/B	8,55	10,90	49,40	10,20	2,13	30,50	7,40	1,67
T89/B	12,38	15,77	59,83	14,35	1,95	52,41	11,8	1,83
T90/B	13,55	17,25	102,0	20,86	2,43	52,48	11,7	1,75
T114/B	16,40	20,89	179,3	29,70	2,93	108,6	19,1	2,28
T125/B	17,91	22,83	151,0	26,16	2,57	159,1	25,5	2,64
T127/B	23,18	29,53	198,8	31,10	2,59	229,6	36,2	2,78

Light	Medium	Heavy	Massive
-------	--------	-------	---------

The guide rail is in general the most crucial component of an EGS, but for elevators on ships maybe also the most influencing component all together considering both weight and functionality. The technical characteristics of each ISO-code results in individual performance criteria and is of major importance while designing the EGS for a marine project. Because of this, the orientation of the guide rails must also be considered in order to determine whether the component can withstand the loads in the determining direction.

By developing efficient and precise methods to determinate the optimal rail dimension for a specific maritime project, based on requirements and technical characteristics, the EGS could potentially be optimized to a great extent from the traditional massive installation and severely impact the quality and cost of the finished product.



Figure 7 Pack of guide rails ready for shipment from the factory [3]

2.2.2 Brackets

Connecting the guide rail to the trunk wall is a set of intermediate constructions containing the components known as the brackets. This part of the EGS exists in multiple shapes and versions, but with the sole purpose of holding the guide rail in the required position within the elevator shaft. A typical example of this can be seen in *Figure 8*. For elevators on ships, the bracket frames are welded to the trunk wall with an interval distance between 1.5 and 2 meters up along the shaft. By increasing the bracket distance, the number of components per shaft is reduced, saving both installation- and material cost. However, an increased distance will result in a decrease in the guide rail performance with respect to the stiffness and its ability to remain within the strict tolerance area. Because of this, the possibility of obtaining an optimal relation between the bracket distance and the guide rail characteristics could prove to be a great advantage in the optimization process.

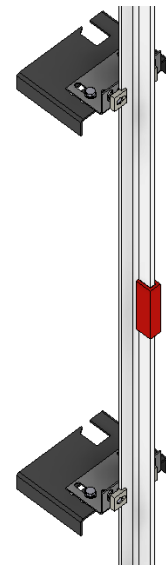


Figure 8 Brackets

Since there are no standardized regulations as to how the brackets are to be shaped or produced, the EGS supplier is responsible for validating whether the chosen bracket solution is suitable for a specific project. Similar to the evaluation of the guide rails, this process becomes more complex in maritime conditions where several load cases must be considered. Despite a wide selection of possible choices, only two different bracket solutions are considered in this research. This decision is based on company input in relation to previous experiences, current practices and future trends. The two solutions are composed by multiple components, where one of them represents a traditional and well known construction, while the other represents a flexible and more recent type.

Welded bracket solution

For marine elevators, the shipyards tends to place the wall stiffeners inside the trunk in order to save space. In doing so, the trunk walls are no longer smooth and challenges may occur for the bracket installation. Because of this, the regular practice in thyssenkrupp has been the use of a so called welded bracket with a carved space for the stiffeners. These brackets are customized to fit a specific shaft and produced by a local steel industry. This component is quite robust and constitutes the bottom part of the construction illustrated in *Figure 9*.

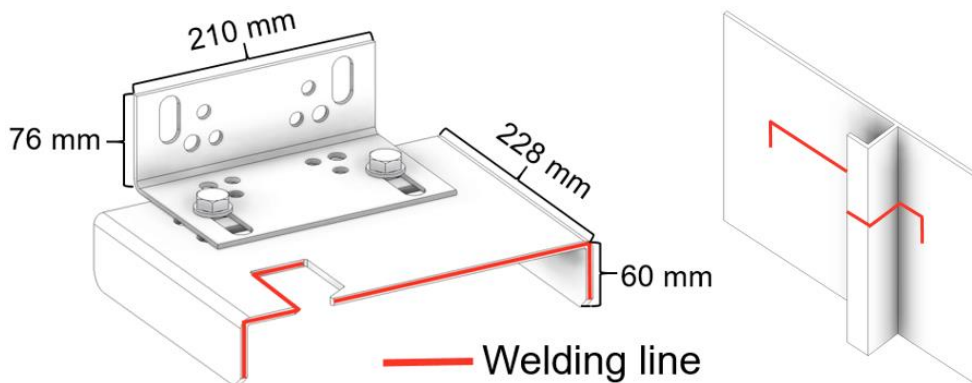


Figure 9 Welded bracket with indicated welding line to the trunk wall and stiffener

The top part of the construction is a mass produced component made by the company in Germany. This is the bracket that is directly connected to the guide rail and can be adjusted to some extent to fit the desired positioning. A series of holes are carved out in the plate so that the bracket is applicable for the various rail dimensions. With a thickness of only 4 mm, this component is deliberately constructed to deflect slightly in order to provide a somewhat flexible support. Through two bolts, this bracket is connected to the thicker welded bracket. This structure is extremely stable with an original thickness of 8 mm, which is unnecessarily thick. In case of future installations using this solution, the thickness is reduced to 6 mm in this research. A further reduction is not considered as this could influence the quality of the weld.

The actual welding is executed by the shipyard, but the installers from thyssenkrupp still have to perform the marking of the brackets. This process is known to be exceedingly time consuming and could drive the installation cost to a less lucrative level.

Adjustable bracket solution

The second solution contains the same upper bracket as in the welded solution. The bottom part of the construction is a bracket with the same shape, but twice the thickness. The reason for this is that the solution is intended to be fastened to a framing system and tightened with quite some magnitude through a set of bolt connections. If the plate thickness is too small, the material will yield under the pressure. This framing system is an external patent called Halfen, which is a simple concept that allows the bolts to slide in a horizontal direction along the rail until tightened. The idea behind this solution is to let the shipyard weld the Halfen rail to the trunk wall, so that the brackets can be applied in a simple and efficient manner. In addition, the method provides a fairly flexible solution in terms of adjustments. This system is illustrated in *Figure 10* where the Halfen rail and bolts are indicated as transparent parts.

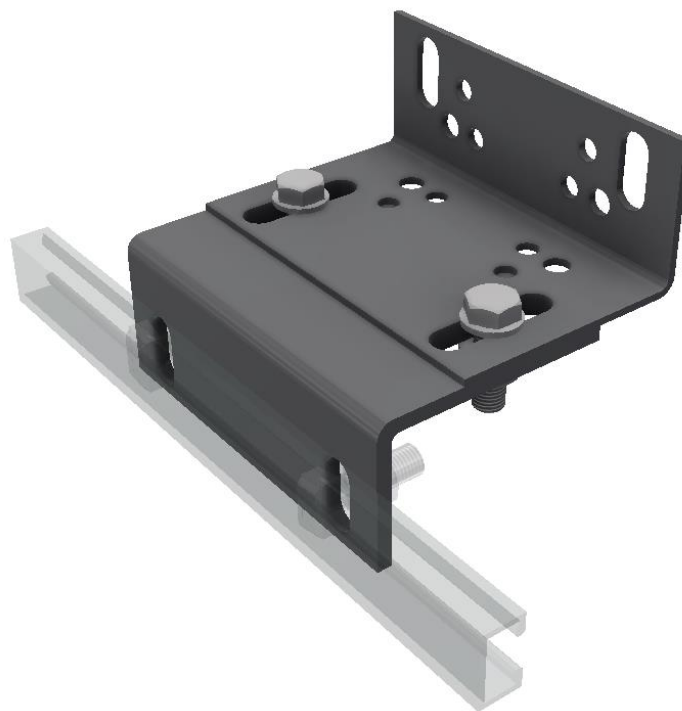


Figure 10 Adjustable bracket solution

The adjustable bracket solution is mass produced by the company in Germany and part of the standard elevator set that is delivered to the marine department in Norway. The drawback with this method is that the trunk should be smooth in order for the shipyard to install the Halfen rails according to thyssenkrupp`s specifications. As a result, this solution is considered less applicable for marine projects than the welded solution. However, this issue could be resolved by getting involved in the project from an early stage. If the necessary engineering is done before the trunk is built, thyssenkrupp can influence the structure by convincing the shipyard to install the stiffeners on the outside of the trunk, at least in the required bracket positions. In doing so, the advantageous can be quite significant, also affecting the shipyard.

2.2.3 Accessories

In addition to the guide rails and brackets, the EGS consist of several types of fasteners. These accessories serve specific purposes, ensures component connection, framing or support.



Figure 11 EGS accessories [3]

Halfen framing system

As mentioned in paragraph 2.2.2, the Halfen system is an external system implemented when the adjustable bracket solution is used. The concept contains a hollow rail with a unique form that allows the bolts with the same head form to slide sideways until tightened to the bracket. The rail is intended to be welded directly to the trunk wall, at specified locations, so that the installers from thyssenkrupp can mount the brackets in the shafts using only bolt connections. The ability to slide, together with the available adjustment options for the bracket solution, results in a larger tolerance in mounting errors.

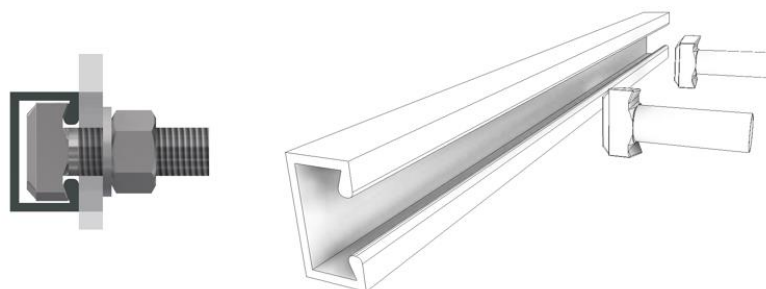


Figure 12 Halfen framing system and its components

Rail clips

Depending on the guide rail dimension, different versions of the component illustrated in *Figure 13* are used in the EGS to connect the rail to the bracket solution. These rail clips, or duck beaks, are tightened so that the foot width of the rail is pressed against bracket plate, but should not exceed such a pressure equivalent to withstanding a vertical load greater than 5000 N at each attachment, according to internal documents. This is because the system is designed to yield in seatrain conditions in order to allow for vertical deflection of the guiderail. A rail clip used for the T90/B guide rails is shown in *Figure 13*, which also illustrates how the rail is mounted to the bracket.

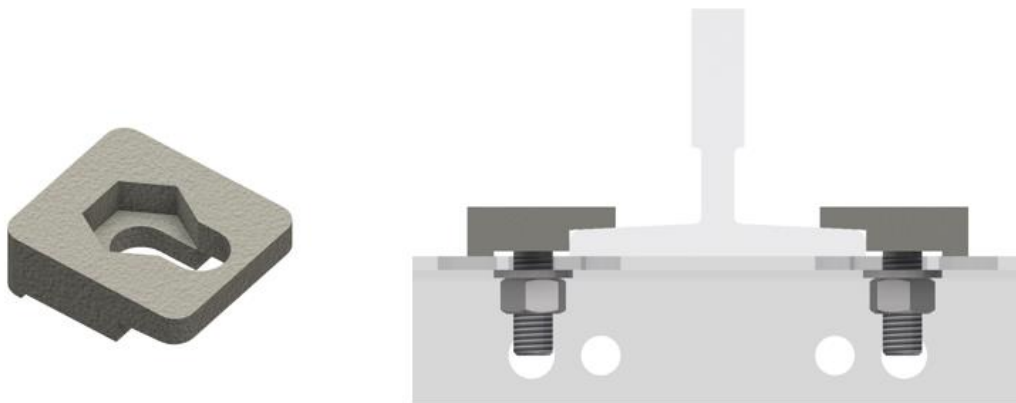


Figure 13 Rail clip and how it is implemented in the EGS, supporting the guide rail

Fish plates

The guide rails are often delivered in lengths of 5 meters and must be mounted together to act as one single component all the way from the top of the shaft to the bottom. To achieve this, a standardized component, known as a fish plate, functions as an intermediate connection between the rails. The dimension of the fish plate depends on the guide rail and shall correspond to characteristic values specified in ISO 7465. These plates are quite massive and provide a sufficient amount of support to avoid reduced performance in the joint. *Figure 14* illustrates a fish plate used for the T127/B guide rail.



Figure 14 Fish plate

2.3 Rules and requirements

In order to get an elevator installed, documentation must be provided to the notifying body containing proof that the components are suitable for the operation in question. A vital part of this documentation is validating the performance of the guide rail for the specified load cases. Several rules and requirements are established by the standardization society and must be fulfilled in order to get a project approved by the notifying body.

In this contexts, the notifying body is an external organization certified to perform official approvals of installations or procedures across the industries for their customers. Within the maritime, oil & gas and energy industries the Norwegian organization DNV GL provides their services worldwide and their certificates is recognized as a proof of high quality. For installations performed by thyssenkrupp in Norway, the vast majority is certified by DNV. The requirements set by DNV is based on international standards, technical and operational experiences, risk methodology and industry knowledge. The interpretation on how to produce a satisfying proof of capability may differ from the various organizations, but the end result is usually in correspondence with each other. Because of this, the DNV requirements are used as the foundation to perform the necessary validations in this research. In addition, DNV's methods tends to be the most conservative, which means that the requirements from other notifying bodies would most likely be fulfilled.

2.3.1 Buckling

For land based elevator installations, under normal conditions, the determination factor in order to get certified is the guide rail ability to tolerate the vertical force imposed during safety gear operations. In collaboration with experienced personal in the thyssenkrupp installation team, instantaneous safety gears with captive rollers are assumed for the elevators. This provides a conservative evaluation method, where the estimated lodes represents the force acting on each guide rail when a fully loaded car is stopped almost momentarily from a vertical fall.

$$F_z = 15(P + Q) \quad (1)$$

F_z : Buckling force when safety gear with captive roller is activated [N]

P : Sum of car weights [kg]

Q : Rated load [kg]

The embedded factor of 15 in *Function 1* includes the consequence of gravity, as well as a small damping effect provided by the captive roller. This damping effect is important for elevators installed on ships in order to reduce the risk of possible damages if the rail were to act as a weight plunger on the pit and hull. According to DNV GL's Rules for Lifts on Ships [6], this formula provides the buckling load that should be compared to the guide rail tolerance.

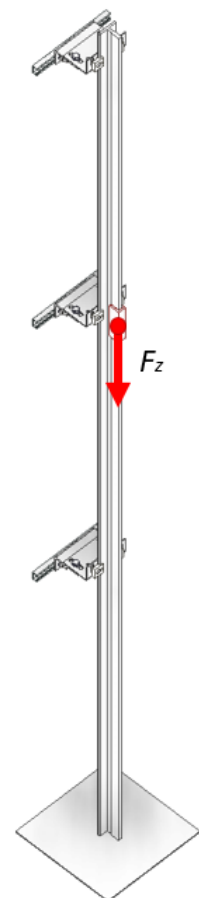


Figure 15 Bucklin load

The maximum allowable buckling force depends on the characteristic and material properties of the guide rail and standardized values retrieved from tables found in the DNV registry.

$$F_{z,max} = \frac{\sigma_k \cdot A}{\omega} \quad (2)$$

- $F_{z,max}$: Maximum allowable buckling force [N]
 σ_k : Allowable buckling stress [MPa]
 S : Cross-sectional area of guide rail [cm²]
 ω : Buckling factor obtained from DNV tables

The allowable buckling stress depends on the material quality and should not exceed its yield stress. For the buckling factor, a coefficient of slenderness must be determined in order to retrieve the specific value. This coefficient is defined as;

$$\lambda = \frac{l}{i_x} \quad (3)$$

- λ : Coefficient of slenderness
 l : Effective buckling length (bracket distance) [mm]
 i_x : Radius of gyration corresponding to the x-x axis [cm]

Considering the specific load condition that occurs when the safety gear is activated, radius of gyration is set in relation to the x-x axis. This is because the rail is assumed to be bending around this axis when the captive roller grips the outer guide blade. Using the coefficient of slenderness, the buckling factor can be found from the DNV tables provided in *Appendix A*. Inserting the factor in *Function 2*, the allowable buckling force can be estimated and compared to the actual buckling force. Granted that $F_z < F_{z,max}$, the guide rail is suitable for the application. In most cases, the guide rails tend to be quite resistant to these loads and small dimensions are often applicable. However, for guidance involved in passenger travel, dimensions below T90/B should not be applied. In doing so, extensive activity within the cabin could cause the EGS to exceed the allowable limit of deflection.

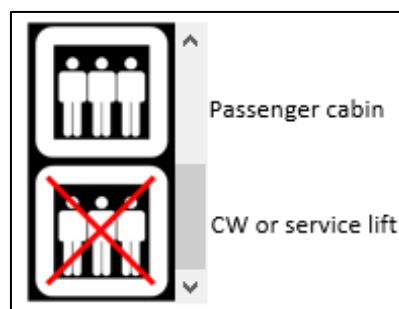


Figure 16 Illustration: Guide application must be considered

Even though this documentation may be sufficient for the evaluation of land based installations, it is merely considered as the foundation basis and bare minimum requirement when evaluating the EGS for a maritime installation.

2.3.2 Ship Motion

When maritime conditions are introduced, a new specter of load conditions are expected as the ship motion will influence the fixed shaft and accelerate the moving components. In order to estimate the resulting loads that are used to evaluate the EGS, it is important to establish how they occur and what impact it may have on the system. In accordance to *Figure 17*, the ship hull is assumed to be subjected to motion in six degrees of freedom with the origin from the where the ship is rotating, referred to as the rotation point.

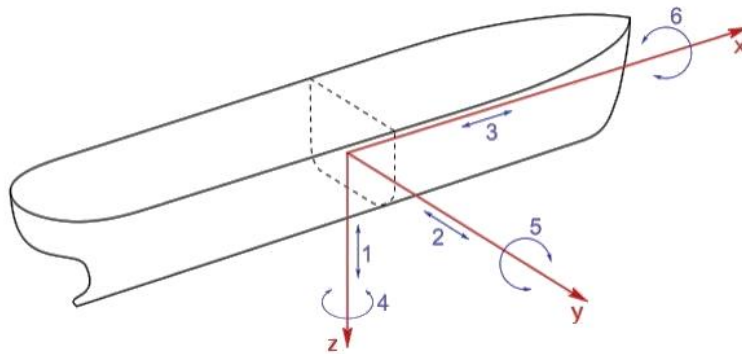


Figure 17 Ship motion in six degrees of freedom [7]

Degrees of freedom:

- 1) **Heave:** This represents an elevating motion along the vertical z-axis. Heave may occur while sailing in waters with big waves and can influence the vertical acceleration of the moving components within the elevator trunk.
- 2) **Sway:** If the hull side is exposed to crushing waves in the transverse direction, this motion could be perceived as a static stroke generating loads acting on the guide rails along the y-axis.
- 3) **Surge:** For the motion parallel to the ship's direction of navigation, a constant velocity will not impact the elevator components. However, when subjected to rolling waves in the longitudinal direction, the ship may experience sudden variations in the acceleration along the x-axis. This phenomenon is most common amongst smaller vessels and seldom an issue for larger ships.
- 4) **Yaw:** In special circumstances, the ship hull could be subjected to rotation around the z-axis. These motions are rarely of considerable magnitudes and will not affect the elevator components in particular.
- 5) **Pitch:** The magnitude of rotation around the y-axis of the ship is referred to as the pitch angle. Pitching is considered a common condition of maritime environments and the effect is likely to decrease with the overall boat length. For an elevator component, this rotation results in longitudinal acceleration corresponding to its height above the rotation point.
- 6) **Roll:** Rotation around the x-axis is known as roll and expected to produce the largest contribution to the ship motion. Roll produces acceleration in similar manner as pitch, but in the transverse direction and with an angle of greater magnitude. This is because the narrow ship width is more exposed to rotation around the rotation point.

Even though the ship motion in reality is influenced by several thermodynamic factors based on both maritime conditions and hull design, the only factors of interest are the specified rules and requirements set by DNV GL. This statement is based on the merits of optimizing the EGS according to the rules for certification of lifts in ships.

The resulting loads from the ship motion acting on the EGS originates from the acceleration of the moving mass inside the trunk. According to the standardization community, this acceleration is generated by the rotation around the ship's rotation point and exclusively determined using the specified characteristics of pitch or roll. These characteristics consists of the rotation angel, θ , indicating the deviation from the vertical axis and the period, T , representing the time to for one complete fluctuation. In order to get an installation certified, proof must be provided that the system can tolerate specified requirements when exposed to lodes produced in these conditions. The standards distinguish between operating and stowed conditions, where the stowed requirements are quite conservative and most likely to be the determining factor.

Table 3 Standardized requirements for roll and pitch in operating and stowed conditions

Condition	Standard	Roll		Pitch	
		Rotation angle	Period	Rotation angle	Period
		θ	T	θ	T
Operating	DNV GL	$\pm 10^\circ$	10s	$\pm 5^\circ$	7s
	ISO 8383 [8]	$\pm 10^\circ$	10s	$\pm 5^\circ$	7s
	ABS [9]	$\pm 10^\circ$	10s	$\pm 5^\circ$	7s
	LR [10]	$\pm 10^\circ$	10s	$\pm 7.5^\circ$	7s
Stowed	DNV GL	$\pm 22.5^\circ$	10s	$\pm 7.5^\circ$	7s
	ISO 8383	NA	NA	NA	NA
	ABS	$\pm 30^\circ$	10s	$\pm 10^\circ$	7s
	LR	$\pm 22.5^\circ$	10s	$\pm 7.5^\circ$	7s

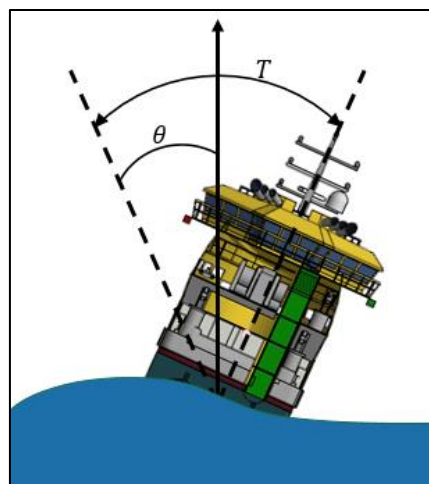


Figure 18 Rotation angle and period for a rolling ship

Table 3 lists requirements for the various conditions set by different standards. These specifications are based on historical experience, statistics and probabilistic calculations. Even though the expected motions in a ship lifecycle are completely individual depending on size, hull design or operating waters, the rules for classifications are the same for every project. For instants, an EGS in a huge cruise liner operating in the calm waters of the Southern Caribbean must be able to tolerate the same conditions as in a small supply vessel operating in the vast waters of the North Sea.

Assuming that an elevator shaft is placed directly on the rotational point of the ship, the acceleration normal on the EGS can be considered as equal to the tangential acceleration produced by the fluctuations. In accordance to Function 4, this is the magnitude the vertical and the respective horizontal acceleration.

$$a_{t,Roll} = \sqrt{a_y^2 + a_z^2} \quad \text{and} \quad a_{t,Pitch} = \sqrt{a_x^2 + a_z^2} \quad (4)$$

- a_t : Tangential acceleration [m/s²]
- a_x : Acceleration in x-direction [m/s²]
- a_y : Acceleration in y-direction [m/s²]
- a_z : Acceleration in z-direction [m/s²]

As an example, this relationship can be illustrated in Figure 18 where a simulation for roll, with the period of 10 seconds, is performed in three intervals. The biggest contribution is in the horizontal direction, which also indicates the fluctuation cycle within the period. Combined with the vertical contribution, the resulting tangential acceleration peaks two times within the period, exposing the EGS for maximum load when the rotation angel is at its largest at each side.

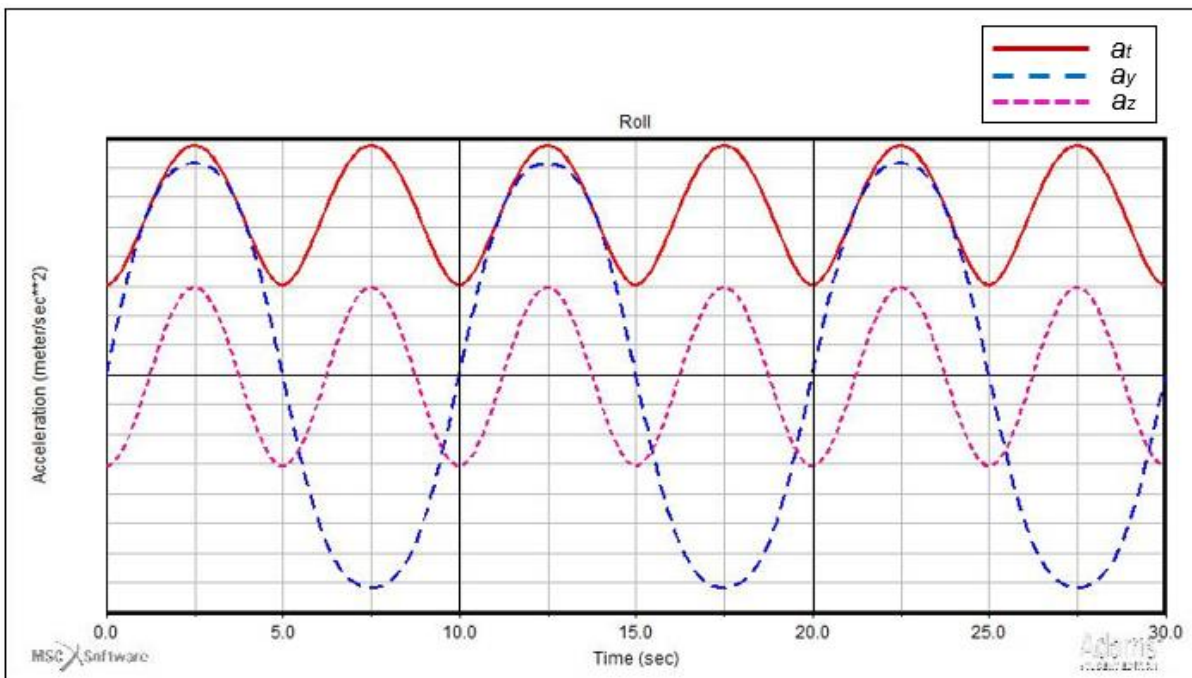


Figure 19 Magnitude of acceleration from simulation with the period T=10 seconds

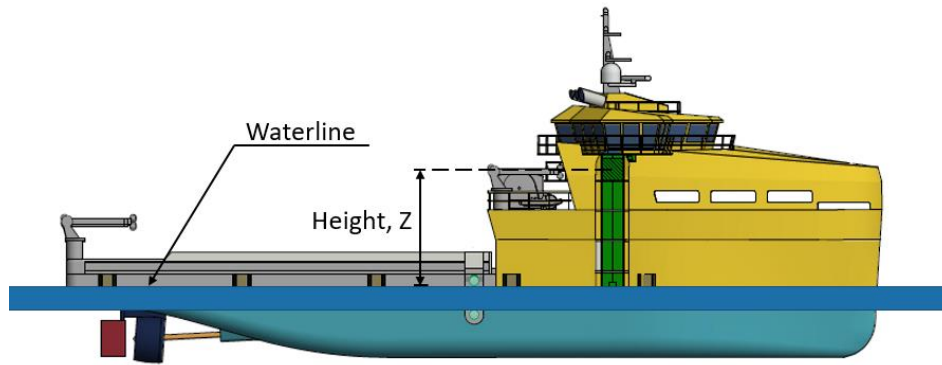


Figure 20 Indication on how the height of the moving mass can be considered

For the specified values of roll and pitch, the accelerations are determined by the height of the mass acting on the EGS. This height, Z , is illustrated in *Figure 20* and considered as the distance from the ship's rotation line to the center of the cabin, when stowed in the top position of the shaft. The rotation line is set parallel to where the waterline crosses the horizontal floating ship and may vary depending the cargo and whether the ship is heavy loaded or not. As an estimate, this line is often assumed as half the depth of the bulkhead, D , which is the distance from the main deck to the bottom of the ship. The bulkhead depth is one of the key figures related to a specific vessel and should be provided by the shipyard on request. The effective height of the mass can therefore be defined according to *Function 5*.

$$Z = H - \frac{D}{2} - 1.5 \tag{5}$$

- Z : Effective height of mass [m]
- H : Total height of mass [m]
- D : Depth of bulkhead [m]

The height of the mass is measured from the top position in the shaft in order to validate the system at the worst-case scenario, since increased distance from the rotation line results in increased acceleration normal on the EGS. *Figure 21* illustrates how the heights can be estimated for elevator shafts installed on a ships, where the center of mass is assumed to be approximately 1.5 meters below the deck floor.

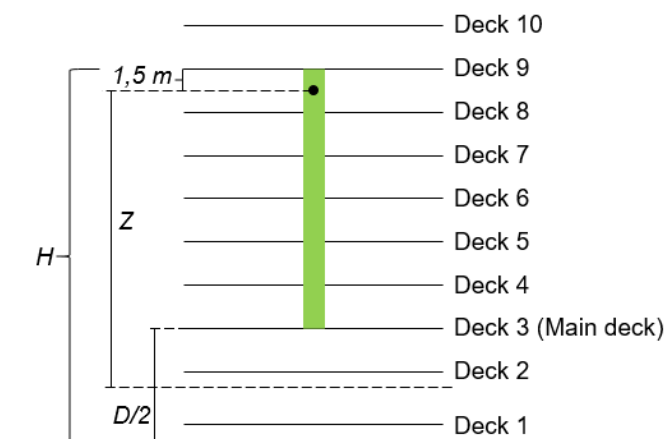


Figure 21 Determination of height for ship elevators

Based on the height, Z , and the pitch and roll requirements the acceleration acting normal on the EGS can be calculated using *Formula 6*.

$$a = \left(2\frac{\pi}{T}\right)^2 \cdot \frac{\theta}{180} \pi \cdot Z \quad (6)$$

a : Acceleration normal on EGS [m/s²]
 T : Fluctuation period [s]
 θ : Rotation angle [°]
 Z : Effective height of mass [m]

This equation does not take into account the possible offset in location from the rotational point of the ship. However, it is concluded in this research that the resulting tangential acceleration for an elevator shaft placed directly on the rotation point is equal to the acceleration acting normal on an offset elevator shaft. This conclusion can be supported by the illustration displayed in *Figure 22* and the following five-step proof.

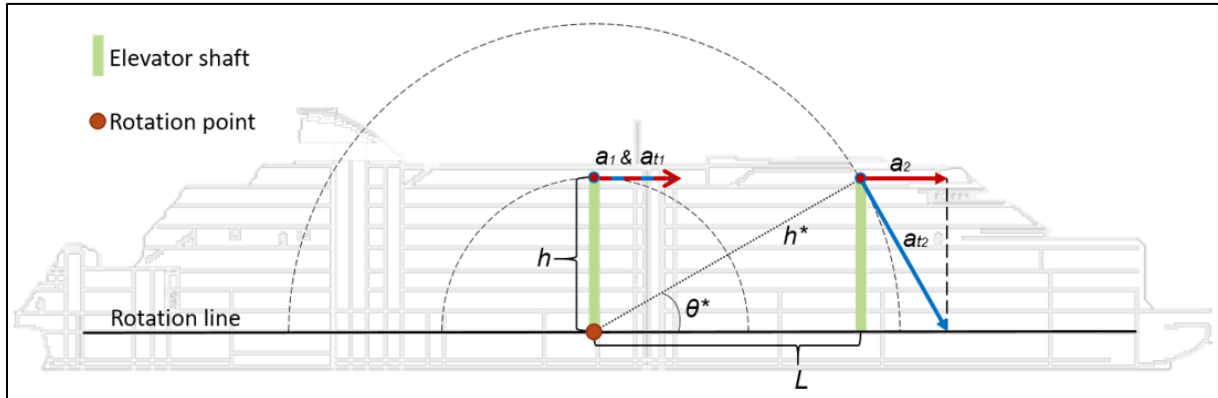


Figure 22 Comparison of mass acceleration for centered and offset elevator shafts

$$\text{Step 1)} \quad a_1 = a_{t1} = \underbrace{\left(2\frac{\pi}{T}\right)^2 \cdot \frac{\theta}{180} \pi \cdot h}_{a_{rad}} = a_{rad} \cdot h \quad (7)$$

$$\text{Step 2)} \quad a_{t2} = a_{rad} \cdot h^* \quad (8)$$

$$\text{Step 3)} \quad h^* = \sqrt{h^2 + L^2} \quad (9)$$

$$\text{Step 4)} \quad \theta^* = \sin^{-1}\left(\frac{h}{h^*}\right) \quad (10)$$

$$\text{Step 5)} \quad \underline{a_2} = a_{t2} \cdot \sin(\theta^*) = a_{rad} \cdot h^* \cdot \frac{h}{h^*} = a_{rad} \cdot h = \underline{a_1} \quad (11)$$

a : Acceleration normal on EGS [m/s²]
 a_t : Tangential acceleration [m/s²]
 a_{rad} : Radial acceleration [rad/s²]
 h : Radius as height for centered shaft [m]
 h^* : Radius as height for offset shaft [m]
 L : Offset length [m]
 T : Fluctuation period [s]
 θ : Rotation angle [°]
 θ^* : Angle of reference [°]

According to this proof, the determining acceleration can be considered as the tangential acceleration of a centered elevator shaft, determined in *Function 6*, and any offset positioning can be neglected in the optimization process.

A mass working in the direction normal to the guide rail also possesses an acceleration generated by its own gravity, a_g . The contribution of this acceleration depends on the size of the rotation angle, θ . Gravity pulls in the vertical direction, which means that the more horizontal the guide rail becomes, the greater magnitude of the of the load is working on the rail.

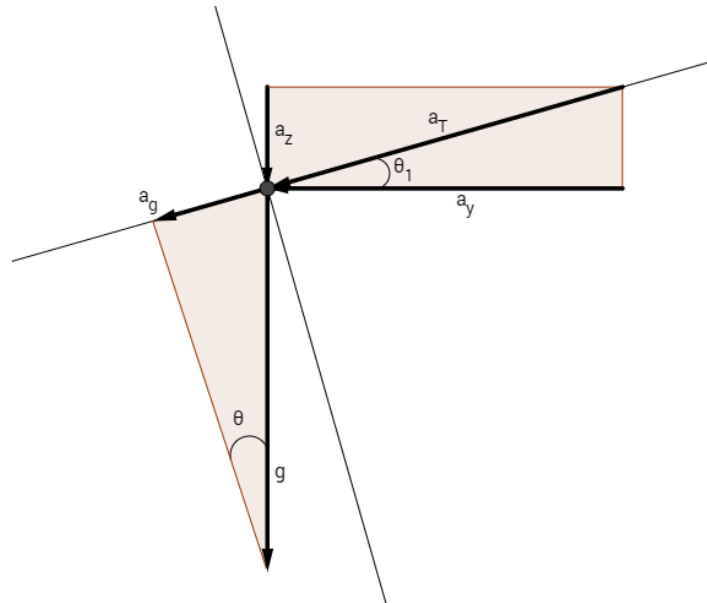


Figure 23 Free body diagram of accelerations acting on a mass in rolling conditions

In *Figure 23* a free body diagram is provided, illustrating how the accelerations may act on a mass influenced by the rolling ship motion. In order to determine the actual load working on the guide rail, the mass is multiplied by the sum of the normal acceleration contributions.

$$F = W \cdot \left(\frac{g \cdot \sin(\theta)}{a_g} + a_t \right) \tag{12}$$

- F : Force from mass normal on the guide rail [N]
- W : Weight of mass [kg]
- g : Gravity [m/s²]
- θ : Rotation angle [°]
- a_t : Tangential acceleration [m/s²]
- a_g : Acceleration caused by gravity [m/s²]

When the ship motion is determined, special load cases for the specific installation projects must be established in order to provide the proper validation of an EGS.

2.3.3 Load cases

The magnitude of the mass acting on the EGS is defined as the *weight on rope*. This is the total amount of the moving mass influenced by the acceleration acting normal on the guide rails. For an elevator car in operation condition, the estimated load is considered as the sum of about the car weights and the rated load. In general, this is the equivalent of an elevator car with a fully loaded cabin, where the rated load, Q , should be based on the standardized relationships between available area and number of passengers listed by DNV in tables from EN 81-20 [11] presented in *Appendix B*. In stowed conditions, the cabin is assumed to be empty and the estimated load is considered as the weight of the car components only. Even though this results in reduced weight, the stowed load conditions are still assumed to produce the biggest loads considering the vast requirements for roll and pitch.

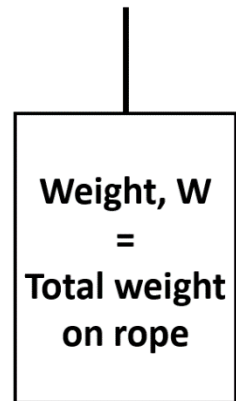


Figure 24
Illustration; Weight hanging from cable

The weight of the counterweight is usually set in accordance to *Function 13*. This weight is the same in both operating and stowed conditions and is therefore expected to produce the largest loads on the EGS.

$$W_{CW} = Q + \frac{P}{2} \tag{13}$$

- W_{CW} : Weight of counterweight [kg]
- Q : Sum of car weights [kg]
- P : Rated load [kg]

With respect to the guide rail, the determining loads are defined in two directions, normal on the x-x axis and normal on the y-y axis. This is illustrated in *Figure 25*, where the force acting on the rail is generated by the direction of the moving mass, through the connected guide shoe. Since the frame of the car and the counterweight is connected to guide shoes at both the top and bottom, the analytical weight used to determine the load is considered as half the total weight on rope.

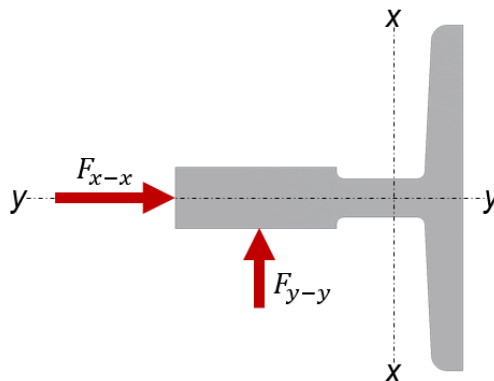


Figure 25 Force on guide rail

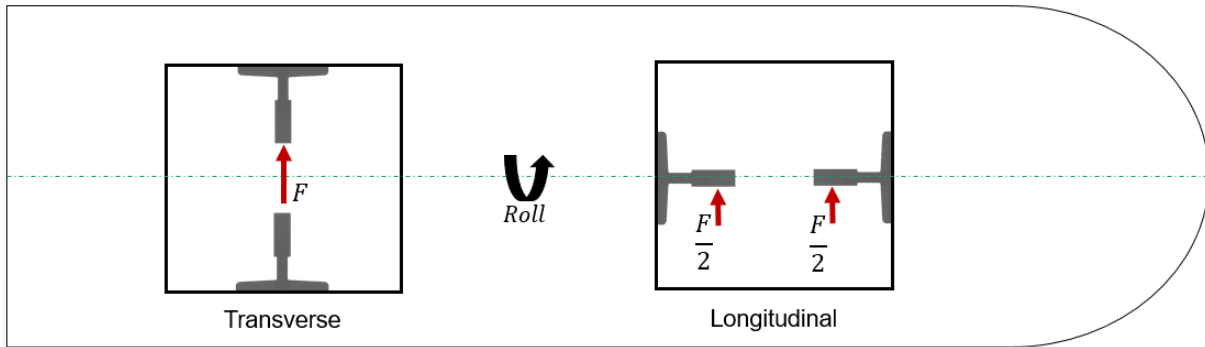


Figure 26 Positioning of guide rails in ship and acting forces during roll

Depending on the direction of rotation, the positioning of the guide rails in relation to the hull must be considered. The rails provide support on both sides of the mass, which means that a load acting normal on the y-y axis of the rail is distributed by the two, while one rail carries the entire load when normal to the x-x axis. For pitching, load is normal on the x-x axis when the guide rails are oriented in the longitudinal direction and normal on the y-y axis when oriented in the transverse direction. For rolling, the opposite applies according to the illustration in Figure 26. Considering the orientation of the guide rails and following the specifications for the roll and pitch requirements, the determining force can be calculated using Function 14 and 15.

$$F_{x-x} = \frac{W}{2} \left(\sin(\theta) + \frac{1}{g} \cdot \left(\frac{2\pi}{T} \right)^2 \cdot \frac{\theta}{180} \pi \cdot Z \right) \tag{14}$$

$$F_{y-y} = \frac{W}{4} \left(\sin(\theta) + \frac{1}{g} \cdot a \right) \tag{15}$$

- | | | | |
|-----------|-------------------------------------|-----|--|
| F_{x-x} | : Force related to the x-x axis [N] | T | : Fluctuation period [s] |
| F_{y-y} | : Force related to the y-y axis [N] | g | : Rated load [kg] |
| W | : Total weight on rope [kg] | Z | : Effective height of mass [m] |
| θ | : Angle of rotation [°] | a | : Acceleration normal on EGS [m/s ²] |

For guide rails, the worst load case is considered to occur when the force is acting in the middle between two bracket supports. In this case, the force is evenly distributed between the brackets and the reaction force is divided by two according to the principle illustrated in Figure 27. This results in the largest bending moment, which can be found using Function 16. It should also be noted that the relative length is defined as half the bracket distance, l .

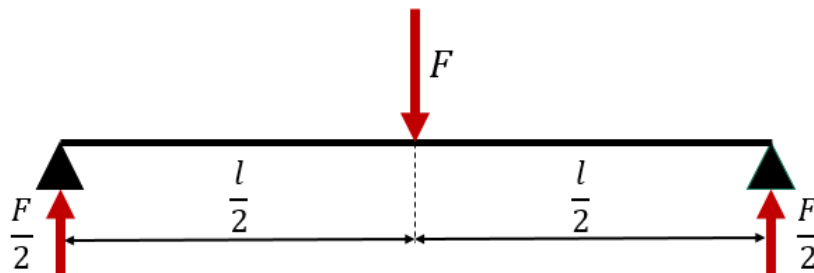


Figure 27 Force on guide rail centered between two bracket supports

Following these simple principles of beam theory, the maximum bending moment can be calculated in accordance with *Function 16*.

$$M_b = \frac{l}{4}F \quad (16)$$

M_b : Bending moment [Nm]
 F : Force on guide rail [N]
 l : Bracket distance [mm]

After establishing the maximum bending moment, the actual guide rail stress is determined by the characteristic cross-sectional area modulus, V , related to the load direction, for the specific ISO-code.

$$\sigma = \frac{M_b}{V_{x-x}} \quad or \quad \sigma = \frac{M_b}{V_{y-y}} \quad (17)$$

σ : Guide rail stress [MPa]
 V_{x-x} : Cross-section area modulus related to the x-x axis [cm³]
 V_{y-y} : Cross-section area modulus related to the y-y axis [cm³]

The stress found for the specific load case is compared to the yield stress of the material. If the established stress is less than the yield stress, the criteria should be approved by the notifying body. A measure taken in this research, with regards to safety factors, is the implementation of a stress factor of 0.8 for cold drawn guide rails and 0.68 for machined. The allowable stress in this optimization process is therefore set according to *Function 18*.

$$\sigma_{all} = 0.8 \cdot \sigma_{yield} \quad or \quad \sigma_{all} = 0.68 \cdot \sigma_{yield} \quad (18)$$

σ_{all} : Allowable stress [MPa]
 σ_{yield} : Yield stress [MPa]

For machined guide rails in particular, this is quite conservative in the merit of validating a specific stress case and results in a rather large margin for error.

Another criteria to be fulfilled in the validation of the guide rails is the strict requirement related to the deflection. The geometrical and material properties contributes in determining the magnitude of deflection for the direction in question. Allowable deflection is set to a maximum of 3 mm, which is generally considered as a rather strict criteria. Because of this, no additional safety factor is included in *Function 19*, when validating the requirement for deflection. In this relationship, the bracket distance, l , is stated in the power of three and will severely influence the result. Therefore, this factor is of vital importance in the optimization process.

$$\delta = \frac{F \cdot l^3}{48EI_{x-x}} \quad or \quad \delta = \frac{F \cdot l^3}{48EI_{y-y}} \quad (19)$$

δ : Guide rail deflection [mm]
 I_{x-x} : Moment of inertia related to the x-x axis of the guide rail [cm⁴]
 I_{y-y} : Moment of inertia related to the y-y axis of the guide rail [cm⁴]
 E : Module of elasticity [Gpa]

2.3.4 Material

According to ISO 7465, it is recommended to use steel grade E 235 B for cold drawn guide rails and E 275 B for machined rails. There are no further specifications as to what material should be used for the brackets and the associated accessories. For the purpose of validation in this study, regular construction steel of grade E 235 B is considered for these components.

Depending on the component thickness, the steel grades provides different yield strengths. This is because of the material properties developed during heat conduction when cooled down in the production process. For increased thickness, the cooling process slows down, which results in reduced yield strength. This relationships are listed in *Table 4* in accordance with ISO 630.

Table 4 Yield strength of steel grade depending on thickness

Thickness [mm]	Yield strength [MPa]	
	Steel grade E 235 B:	Steel grade E 275 B:
Interval:		
$t < 16$	235	275
$16 < t < 40$	225	265
$40 < t < 63$	215	255
$63 < t < 80$	215	245
$80 < t < 100$	215	235
$100 < t < 125$	195	225

A generalization is made for the guide rails studied in this research, where the material strength is considered as the yield strength corresponding to a thickness between 16 and 40 mm for the two steel grades. For the evaluation of the brackets and accessories, all components are less than 16 mm thick and assumed to perform according to the steel grade indication. For the evaluation of the guide rails, the material factors of 0.8 and 0.68 are applied before defining the allowable stress. These specifications are listed in *Table 5*, where the allowable stress is the determining values used in the evaluation process for the various components.

Table 5 Component stress

Components	Material	Yield strength, σ_{yield}	Allowable stress, σ_{all}
Machined guide rails	E 275 B	265 MPa	180 MPa
Cold drawn guide rails	E 235 B	225 MPa	180 MPa
Brackets and accessories	E 235 B	235 MPa	235 MPa

2.4 Installation and product specification

In order to carry out a representative and concise estimate of the potential savings related to the optimized solutions, an assessment of the installation process must be conducted based on internal benchmarking, such as experience, industry knowledge and a series of assumptions made from educated guesses. In addition, some regular expenditures and fixed rates can be established for the assessment.

For the comparison of the concepts assessed in this paper, three different sizes of guide rails are considered. In *Table 6*, the cost and weight for these products are listed, where the prices are retrieved from internal sales papers in thyssenkrupp and the weights are determined by the technical characteristics listed in *Table 2*. These three dimensions are chosen because the massive T127/B rail is considered as the most commonly used dimension in the traditional installation concept, whereas the T90/B and T70/B, based on external benchmarking, are considered as possible alternatives in the optimized installation concept. The values apply to the five meter long products provided by the manufacturer.

Table 6 Cost and weight for specific guide rail products à 5 m

Product cost and weight for guide rails		
Dimension	Price	Weight
T127/B	257 €	116 kg
T90/B	154 €	68 kg
T70/A	68 €	44 kg

An important factor, severely influencing the actual installation cost, is the hourly rate of the thyssenkrupp technicians. For installing the EGS in an elevator shaft on a ship, a considerable amount of work hours is expected, especially when the welded bracket solution is applied. In *Table 7* the hourly rate provided by the company is specified in both NOK and EUR.

Table 7 Hourly rate for technicians during installation

Cost pr. technician (hourly rate)	
NOK	EUR
700 kr	75 €

3. Structural methodology

This chapter contains the identification of the methods used to assess the concepts investigated in this report, as well as a description of the various validation processes developed during this study.

3.1 Screening criteria

Considering the components discussed in the in previous chapter, two concepts with separate bracket solutions are investigated in this research. An extensive analysis of both structural abilities and installation expenditures is conducted in order to provide a thorough and objective assessment of the different solutions illustrated in *Figure 28* and *Figure 29*.

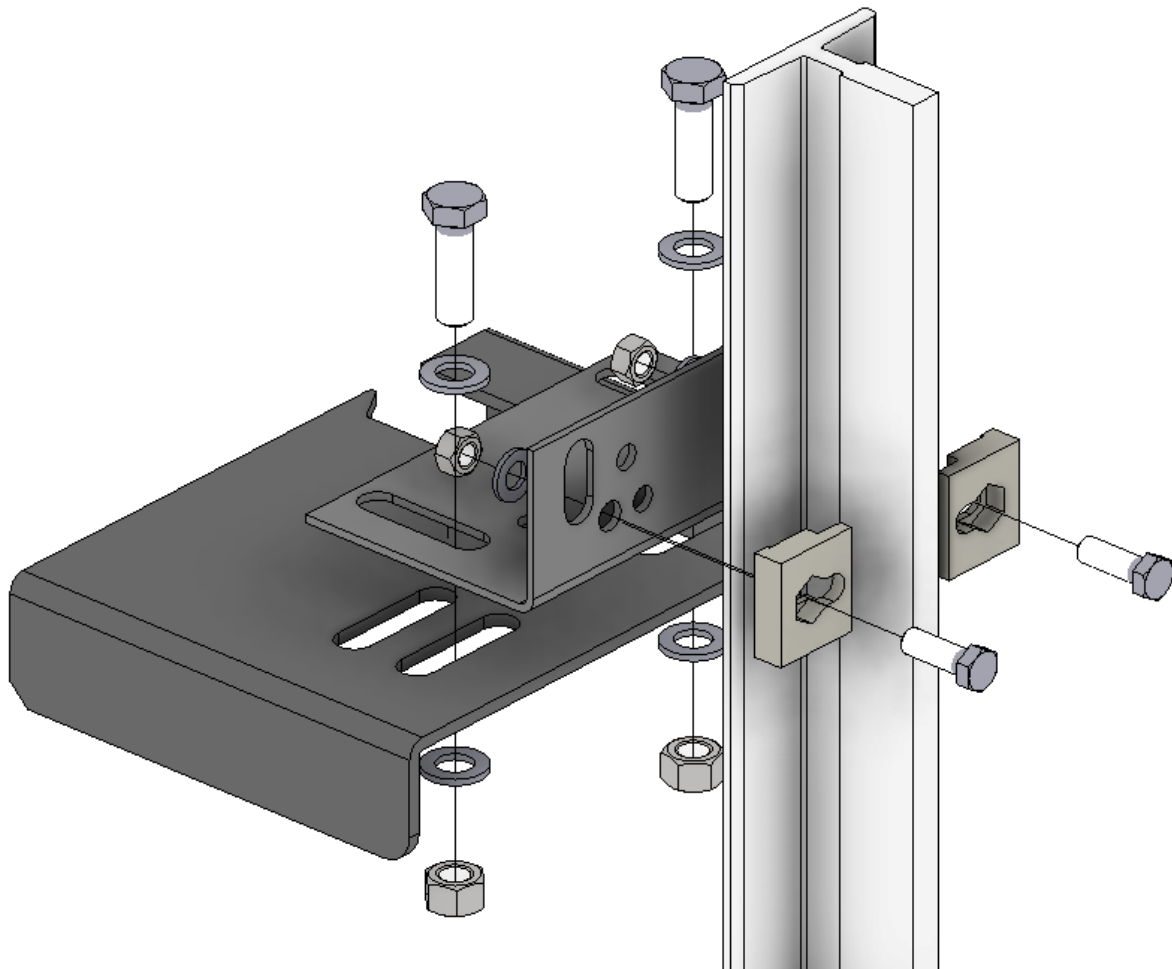


Figure 28 Exploded view of the welded bracket solution

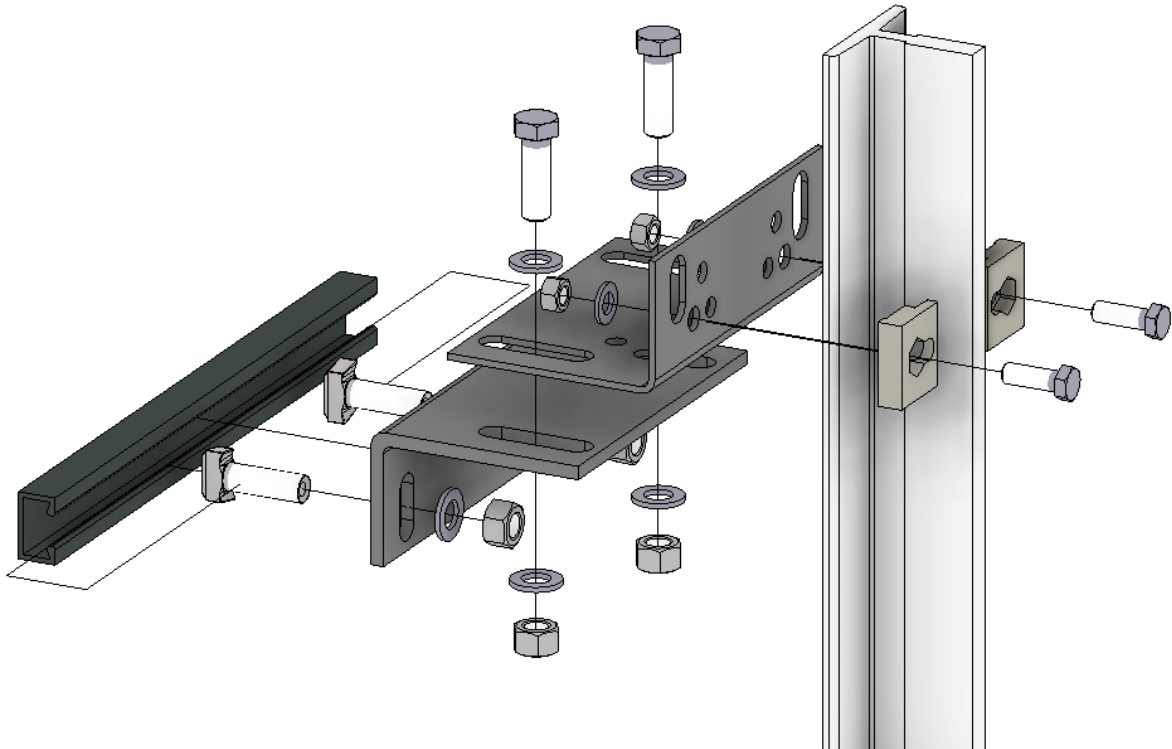


Figure 29 Exploded view of the adjustable bracket solution

In addition, the two solutions will be considered with the implementation of both the traditional and the optimized sizing method. As a result, this amounts to a total of four different EGS-concepts, which are listed in Table 8.

Table 8 EGS-concepts

Concept 1:	Concept 2:	Concept 3:	Concept 4:
TRADITIONAL WELDED	TRADITIONAL ADJUSTABLE	OPTIMIZED WELDED	OPTIMIZED ADJUSTABLE
Welded bracket	Adjustable bracket	Welded bracket	Adjustable bracket
Traditional sizing		Optimized sizing	

With regards to the concept criteria, the assessment is based on three screening principles; complexity, risk and cost. This in order to highlighting the various aspects related to the solution in question.

The principle of complexity is determined by the concept feasibility regarding implementation capacity, resources and technical complications. For elevators installed on ships, this can be related to the installation time, whether the stiffeners must be removed or the possibility of reducing the weight on board. The risk is tied to the actual performance of the EGS- concept, whether there could be potential harm to people, as well as the likeliness of asset damage and the severity a technical failure might cause. As long as the minimum requirements for certification is fulfilled, the overall impression of a concept is often determined by the final cost, which is most likely to be the major driving principle in a selection process.

3.2 Evaluation process

Traditionally, the internal EGS evaluation process within tyssenkrupp has been conducted using two methods of determination. When the company is asked to install elevators on a specific marine project, necessary information is retrieved from the shipyard and applied in an internal data base used for evaluation of land-based elevators according to the specifications discuss in section 2.3.1 for buckling. This is the first stage in the process, where a minimum criteria for the guide rail dimensions are determined and the marine applications are yet to be applied. This starting point often suggests quite lean dimensions for the project, but history shows that these sizes seldom are considered for further evaluation by the engineering department in Neuhausen who is conducting the calculations. For the second stage of the process, massive dimensions are usually chosen for the system when marine applications are applied. However, the determination of the size for the guides supporting the counterweights are usually less conservative. A possible explanation for this can be a misinterpretation of the DNV requirements related to the application of rated load during stowed conditions. An example of a real project validation is attached in *Appendix C*, where a suggested solution is already established before validated against the requirements to withstand the ship motion stated in DNV GL's rules for lifts on ships. For these traditional solutions, the bracket distance is generally set to a maximum of 1500 mm when validated, even when calculation results indicates larger capacity. As a result, greater distances cannot be considered, since the system is not validated for this. Also, shorter distances than 1500 mm is not desirable and should be avoided, as this would complicate the installation process and aggravate the end product.

In an attempt to avoid over-engineering, the traditional evaluation process is put under review and possible optimization methods are investigated through an extensive study on the topic, where the main focus is directed towards the specific rules and requirements needed to certify the EGS. An important aspect of this research is also to provide a streamlined method for conducting the entire evaluation process of the system. Instead of evaluating a suggested solution for the EGS, the objective of an optimized method is to generate several options with indicated performance, based on the specified parameters provided by the customer. Ultimately, the intention is to develop a tool that requires a minimum amount of input to generate the optimal solution for a specific project that is guaranteed to be approved by notifying body. If succeeded, this will provide an efficient and precise method applicable in the process of evaluating offers and with the potential to severely reduce costs and improve quality. The evaluation process related to the EGS mainly concerns the sizing of the guide rails and the determination of the bracket distance, but in order to apply the desired solution, a validation of the brackets must be conducted to ensure that they can provide the necessary support to the fully loaded guides. However, ones the brackets are sufficiently validated, the process does not have to be repeated, whiles the sizing of guide rails is a continuous process, as the parameters may vary for every EGS.

3.2.1 Sizing of guide rails

The first step in optimizing the process is developing a more transparent system, providing evaluation for a variety of different rail dimensions at the same time. The user should be able to insert the desirable parameters, depending on the elevator specifications and the requirements related to the loaded condition in question. In distinguishing between the loads acting on the x-x axis and the y-y axis of the guide rail, one can establish the orientation of the guides by inserting the requirements for roll and pitch with respect to the indicated working direction. In doing so, the resulting parameters should be given for both roll and pitch in accordance with the chosen load case and the desired bracket distance. For manual sizing, the user should also be able to evaluate the guide rails for both operating and stowed conditions, or even alter the input completely for experimental or alternative purposes. For the purpose of validating the guide rails, the relationship between the parameters must be set according to the formulas presented in section 2.3.3 for load cases. Such a relationship was developed and obtained using the calculation software Mathcad Prime 2.0 and can be seen in *Appendix D*. These calculations are implemented in an exclusive calculation tool specifically developed for manual sizing of guide rails. This method is approved by DNV through the mail correspondence provided in *Appendix E*. Using Excel as the foundation, the tool produces values for the desired output parameters and indicates the safety factor against the tolerance for certification. Results validated according to the requirements discussed in this paper, will be valid for the DNV certification as long as the worst-case scenario indicates a satisfying safety factor for the rail dimension in question.

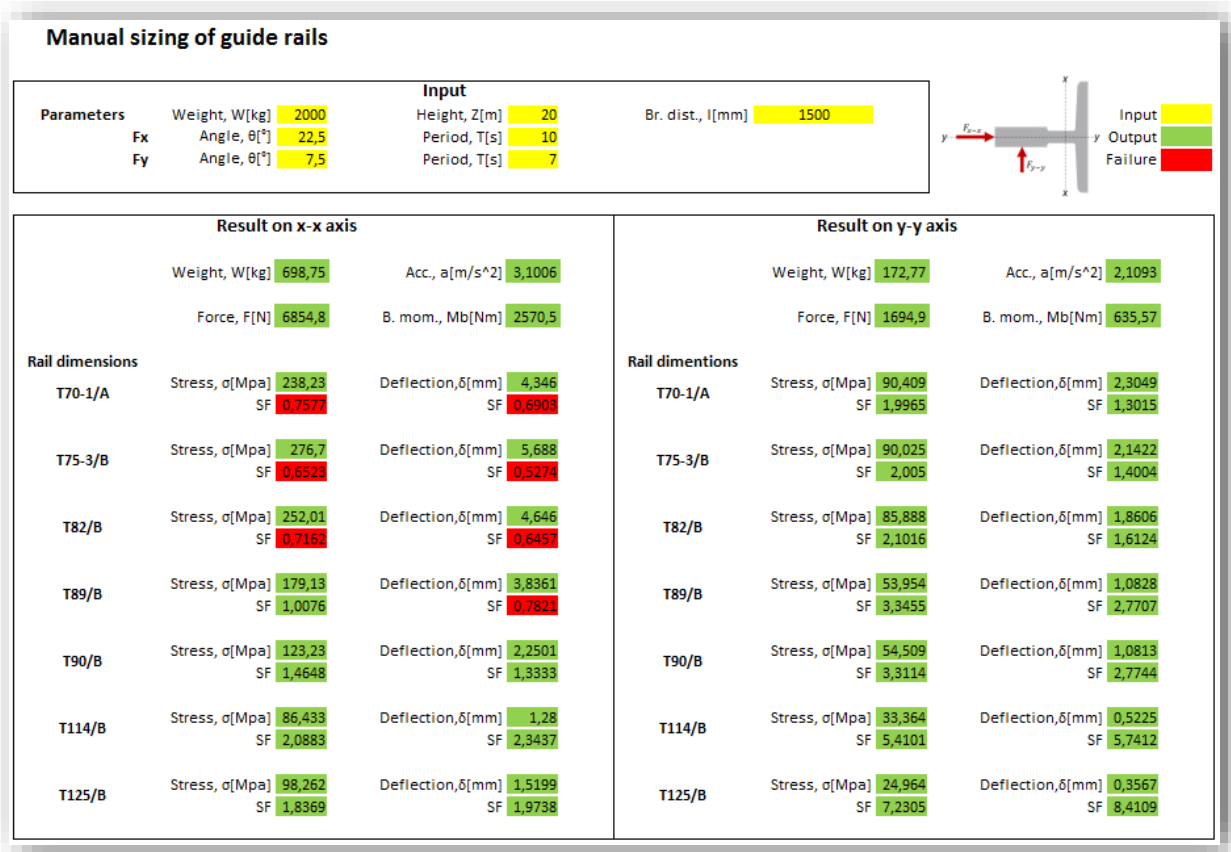





Figure 30 Interface of the manual calculation tool

Figure 30 illustrates the interface of the manual calculation tool and how it may be utilized. In this typical example, the weight on rope is set to 2000 kg and the height, which indicates the distance to mass, is set to 20 meters. In the manual sizing, a desired bracket distance is part of the input and in this example set to 1500 mm. Furthermore, the requirements for rolling are set in relation to the x-x axis on the rail and to the y-y axis for pitching. This means that the guides are oriented in the transverse direction on the ship. This concludes the input specifications of the color coded sheet with following indications.

	<u>Input:</u>	The yellow cells allow the user to insert desired conditions.
	<u>Output:</u>	The green cells display the resulting mathematical relationships.
	<u>Failure:</u>	The red cells indicate failure to fulfill specific requirements.

Results are displayed for both load direction in the manual calculation tool. The net weight, acceleration, force and bending moment acting on the respective guide rail axis are obtained in accordance with the calculations provided in the attached Mathcad file and displayed as common factors for the rail dimensions. The results separating the rail dimensions are the distinctive stress and deflection calculations. Included in these formulas, *Function 18* and *19* respectively, is the technical characteristic for the individual ISO-codes. Also, these factors determine whether a guide rail is suitable for the defined load case. If these values exceed the allowable tolerance, the safety factor drops below *one* and indicates failure. For the case illustrated in this example, a rail dimension of T90/B should be suitable for the application.

The parameters are set accordingly to the properties listed in the *Acronyms and Symbols*, but can be changed in the program settings.



Figure 31 Various rail dimensions [12]

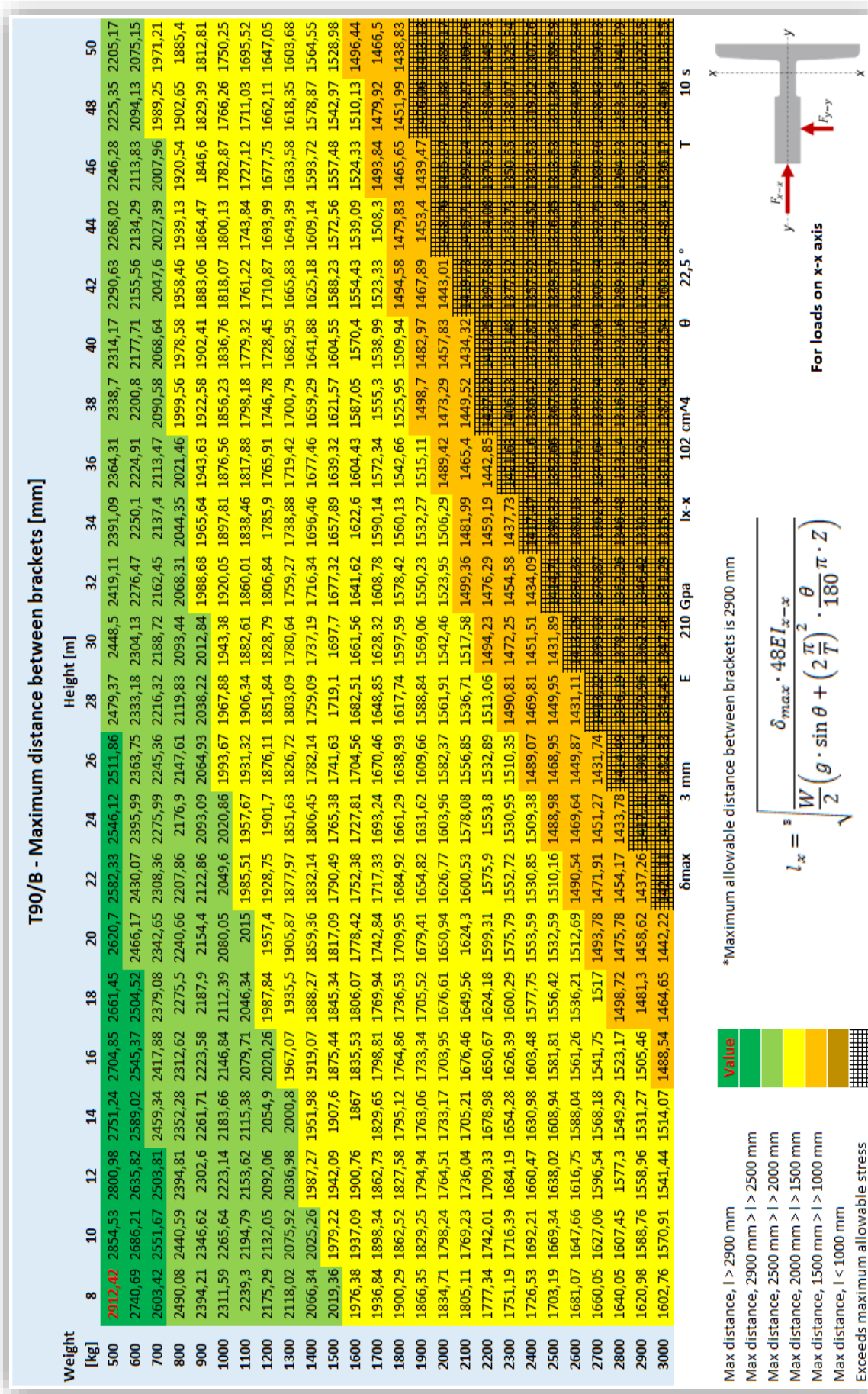


Figure 32 Maximum bracket distance for loads on the x-x axis of a T90/B guide during roll

The second stage in optimizing the process is to establish the limitation for the various rail dimensions and determine the ultimate performance for the whole realistic range of load cases in which the EGS might be applied. In order to do so, a wide specter of combined conditions was defined in both load directions and for every ISO-code investigated in this study. By exploiting the absolute requirements and the mathematical relationships based on the methods approved by DNV GL, *Function 19* could be altered to generate the largest allowable bracket distance for a specific load case. The combined conditions were sorted in specific matrices similar to the one illustrated in *Figure 32*, where loads apply on the x-x axis and every cell returns a value corresponding to *Function 20*.

$$l_x = \sqrt[3]{\frac{\delta_{max} \cdot 48EI_{x-x}}{\frac{W}{2} \left(g \cdot \sin \theta + \left(2 \frac{\pi}{T} \right)^2 \cdot \frac{\theta}{180} \pi \cdot Z \right)}} \quad (20)$$

l_x : Maximum allowable bracket distance for lodes on the x-x axis [mm]

In this example, the matrix processes data related to the T90/B guide rail and considers requirements for rolling conditions. In general, this means that if the generated value is chosen for evaluation of the specific load condition, the rail deflection is at the absolute maximum of three millimeters and the safety factor is exactly *one*. A complete list of matrices are attached in *Appendix F*.

Because the bracket distance is set to the power of three in relation to the determination of deflection, the chosen length has a major influence on the end result and whether the solution is within the requirements or not. The matrices are color coded based on defined length intervals illustrated in the example. The yellow cells indicates lengths between 1,5 and 2 meters, which is considered to be the main area of application. The reason for this is that larger distances tend to result in deflections exceeding the allowable limits. Bracket distances shorter than this is seldom desirable and even though a reduction of the length in theory would improve performance considerable, the limit for allowable stress would eventually be exceeded. Cells that exceeds the maximum stress is engraved in the matrix, which means that the indicated load case for the specific rail dimension is not valid regardless of the bracket distance.

The engraved area originates from a corresponding matrix composed in a similar manner, where the cells generate values for the resulting stress. The matrix presented in *Figure 33* on the next page corresponds to the discussed example, with the same rail dimension and the same load conditions. In this case, *Function 18* is altered, but with respect to the bracket distance, where the value is returned from *Function 20*. The cells in the stress matrix for this example generates values according to *Function 21* and identifies the values exceeding the maximum of 180 MPa with the color red. This red field of failure is the same field indicated as engraved in the matrix for bracket distances.

$$\sigma_x = \frac{\frac{W}{2} \left(g \cdot \sin \theta + \left(2 \frac{\pi}{T} \right)^2 \cdot \frac{\theta}{180} \pi \cdot Z \right) l_x}{4 \cdot V_{x-x}} \quad (21)$$

σ_x : Stress for lodes on the x-x axis as a result of the maximum bracket distance [MPa]

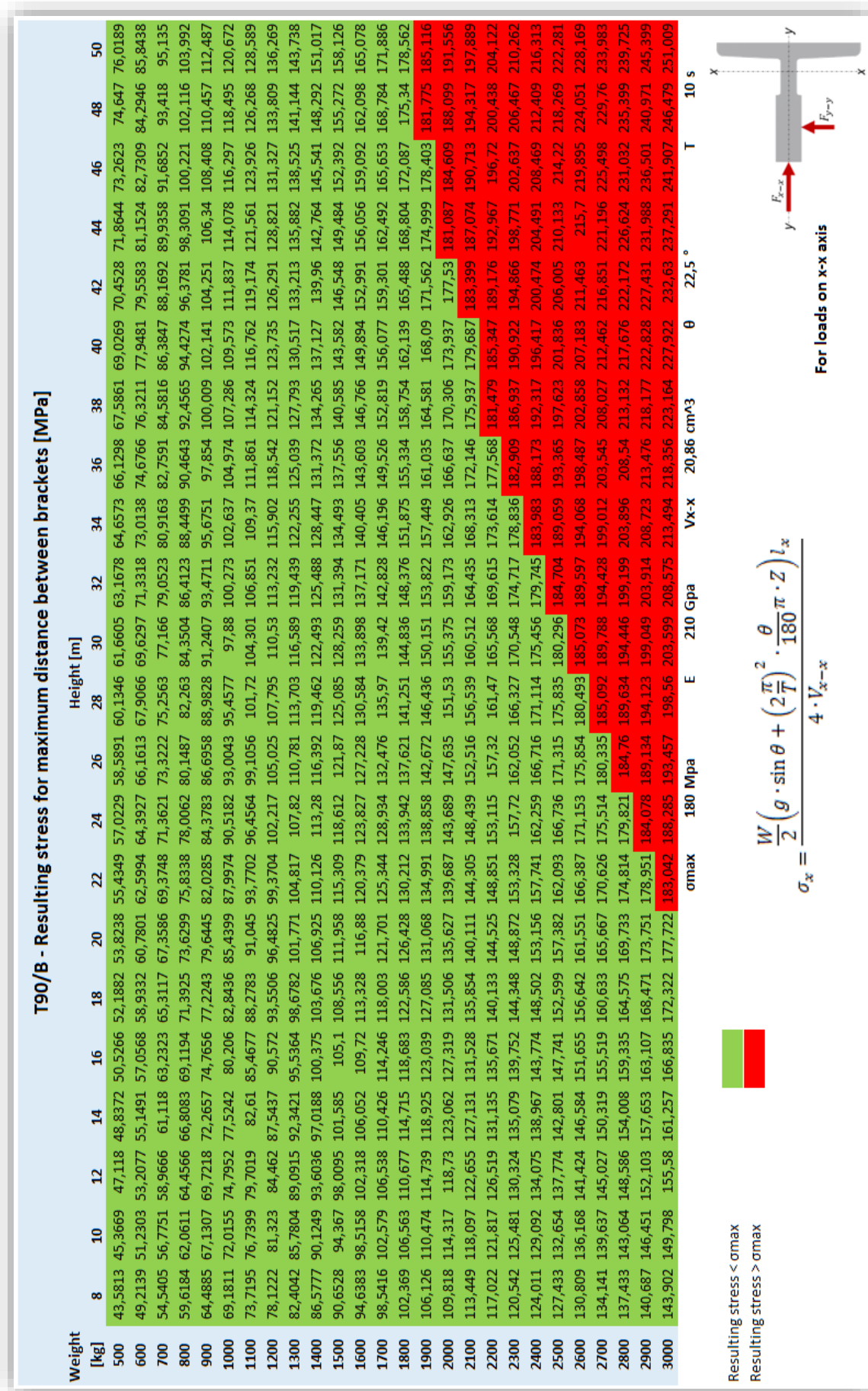


Figure 33 Resulting stress from maximum bracket distance

By combining these methods and applying them for the various rail dimensions and orientations, the optimal solution for the sizing of guide rails can be established for any project within the range of application.

For the next stage in optimizing the evaluation process, a common denominator for the worst-case scenarios should be determined. The values retrieved from the worst-case will always be the determining factor in an evaluation process and in the pursuit of creating an efficient and user friendly system, a minimum amount of required input is desired.

Regardless of the project or area for use, the requirements for roll in stowed conditions are without exceptions the most conservative scenario for sizing of guiderails. This is a result of the strict specifications set by the notifying body for this condition. Because of this, only the loads caused by the ship rotation around the longitudinal axis of the hull is considered in the atomized solution. However, the user should still be able to determine the orientation of the guides, as this has a great impact on the load distribution on the rails. In stowed conditions, the weight is considered as only the component weight on rope, since the elevator is assumed to be parked in these circumstances. Even though the elevator system is not performing any personnel travel this case, it must be taken into account whether the construction supported by the EGS is intended to carry passengers or not. In line with the topic of passenger activity discussed in section 2.3.1, rail dimensions smaller than T90/B should not be applied in the support of passenger cabins. The user must therefore be able to choose between applications for either passenger cabins or counterweights and service lifts. In doing so, the program can eliminate unfit dimensions, even if calculations identifies the guide as suitable for the application. While keeping the worst-case in mind, the mass center shall be considered at its maximum height in the shaft for every evaluation process. This length represents the difference in height from the rotation line of the hull to the center of mass acting on the guide rail and is determined using *Function 5* and the specified parameters provided by the customer. In *Figure 34* the support of both car and counterweight is illustrated in opposite orientations compared to the hull coordinate system.

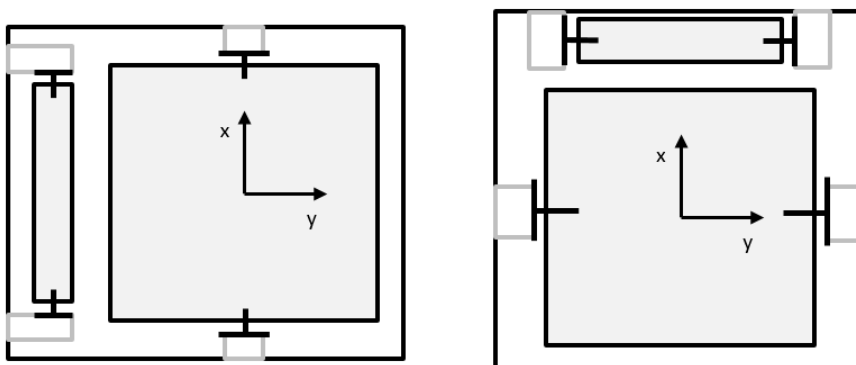


Figure 34 Elevator components in shaft oriented in opposite direction

Based on these qualities, a calculation tool for automatic sizing of guide rails is developed, where only four input specifications are needed in order to provide the optimal solution for any project within the range of application. The tool interface is illustrated in *Figure 35* on the next page, where a typical example is applied.

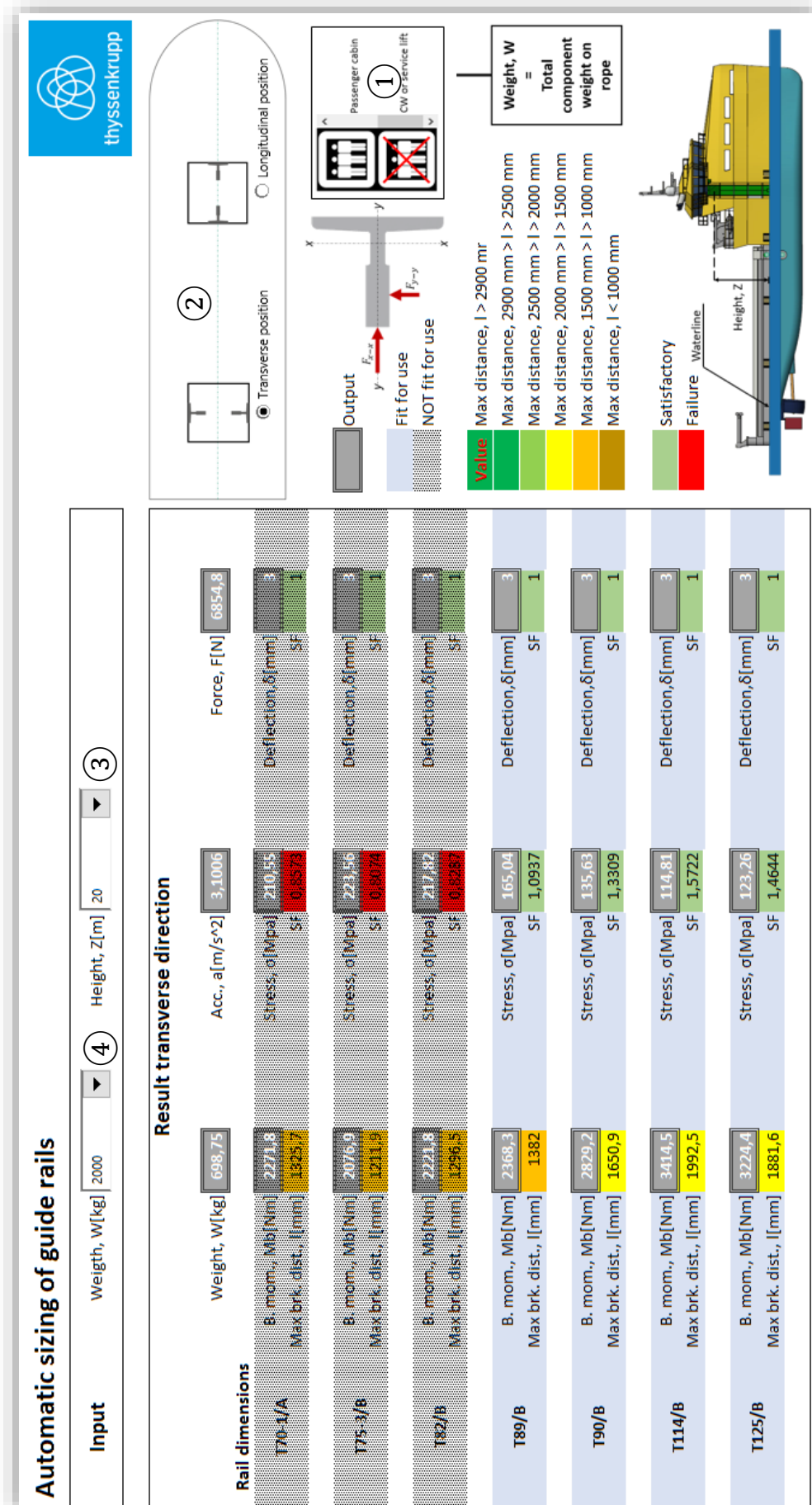


Figure 35 Interface of calculation tool for automatic sizing of guide rails

The tool is built with Excel as platform and is hyper coupled to different applications in order to produce the necessary information. The user inputs on the interface are clickable, but the rest of the sheet is locked for changes. The input specifications in this example are indicated in the figure with numbering from 1 to 4 and can be changed only by the click of the mouse.

- 1) *Number 1* indicates whether the system is supporting components intended for passenger travel or not. By clicking on the passenger cabin, all rail dimensions prior to T90/B is automatically marked as NOT fit for use according to the mark explanation. In this example, the evaluation is set to apply for a counterweight or service lift and all rail dimensions are potential components as long as the requirements are fulfilled.
- 2) *Number 2* allows the user to determine the guide rail orientation in relation to the ship hull. In the automatic sizing, rolling conditions apply and by clicking on the longitudinal position the resulting loads related to the y-y axis of the rail are considered in accordance with *Function 15*. In this example the transverse position is selected, which means that the determining load is applied on the x-x axis of just the one guide rail and *Function 16* is used to determine the force.
- 3) *Number 3* determines the height, which is defined according to the figure provided in the bottom corner of the interface. By clicking on the associated arrow, a scrollable array with multiple choices appears. The chosen value will correspond to the height indicated in the matrices for both maximal bracket distance and resulting stress. In this example the height is set to 20 meters and the values for this height is activated in all matrices related to the transverse operation.
- 4) *Number 4* determines the total component weight on rope. The value is selected in the similar matter as for the height and the matrix values for this weight is activated. For the specified orientation, the matrix value corresponding to both the selected weight and height is returned in the result for all rail dimensions. In this example, the selected weight is set to 2000 kg.

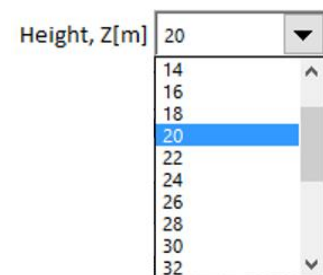


Figure 36 Height options

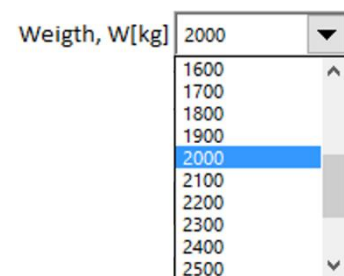


Figure 37 Weight options

The returned value for the bracket distance also determines the bending moment for the rail and the returned stress determines the corresponding safety factor. These are all specific values for each individual rail dimensions, whereas the resulting weight, acceleration and force is common parameters determined by the defined load condition. It is important to note that the safety factor for deflection is equal to *one* for each rail in the automatic sizing. This is because the tool returns the optimal solution for the system, where the requirement for maximum deflection is constantly pushed to the limit of *three* millimeters.

The result in this example indicates that the T89/B guide will be certified and may be applied in the system. However, it also indicates that the maximum bracket distance is below 1500 mm, which means that the T90/B might be the preferred choice in this case.

3.2.2 Validation of brackets

Even though the guide rail selected for an EGS is certified for the applied conditions, it is still necessary to establish whether the supporting brackets in the EGS are able to fulfill their purpose or not. There are no standard specifications as to how the supplier should connect the guide rails to the trunk wall or how the solution is validated. Because of this and the varying trunk interior, it exists a vast variety of bracket solutions, both mass produced and custom made. The evaluation for each solution may differ, but in order to get the entire EGS certified, the supplier must provide valid proof that the bracket solution can withstand the absolute load conditions in which the guides are validated for.

In this research, a structural analysis is conducted for the two bracket solutions considered for the EGS. The main potential impact may vary according to the direction and positioning of the load and in order to ensure the bracket capability, the solution must be tested against what is assumed to be the worst-case scenario in relation to the various loads. Suitable models were created using Autodesk Inventor and the necessary geometric relationships were constructed before imported to ANSYS, where the appropriate boundary conditions were applied for the structural finite element analysis. A total of five load cases were conducted for each bracket solution and the boundary conditions were carefully determined in order to create an environment as realistic as possible. The impact is considered as the loads acting on the guide rail trough the resulting force that is applied on the guide shoe.

Load cases

In the first load case, it is assumed that the load is acting directly on the bracket and that the impact creates a pressure between the rail and the trunk wall. The applied force is defined as F_{x-x} in Figure 38 and in order to create a realistic environment, three brackets are included to provide the proper restrictive contribution in the load case. In this case, the system is illustrated with the adjustable bracket, but the principle boundary conditions applies to both solutions, where the faces that are welded to the trunk wall is considered to have a fixed constrain, whereas all other components are mated. The force is applied on the respective guide shoe face, providing a pressure on the rail equal to a realistic situation. The simplifications made for the environmental setup results in faster simulation and are considered as reasonable assumptions. For instance, a similar model with five brackets was tested and returned the same values for the bracket in question, which indicates that the chosen model is suitable for the load case.

For the second load case, the same model and environmental setup is used, but the applied force represent the load acting on the y-y axis of the guide and is defined as F_{y-y} in the figure. This impact is assumed to create an extensive twisting load on the bracket, as influenced guide shoe face is in direct height with the components.

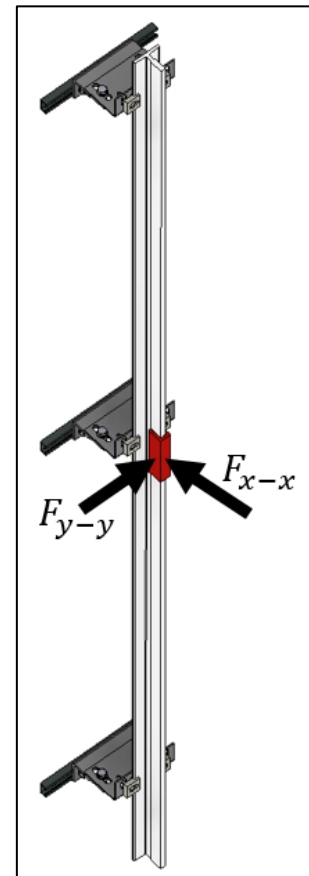


Figure 38 Load case 1 and 2

In load case three, the impact is considered in the middle between two brackets, as when determining the worst-case for sizing of guide rails. This condition is assumed to cause for a bending of the rail around the connected supports and result in corresponding bending stress for the brackets. The model used for this load case is constructed by the same principle as the previous, but consists of four brackets in order to provide an evenly distributed resistance to the load. The illustration of a model used for adjustable brackets are shown on the left side in *Figure 39*, where the applied force is indicated as F_{x-x} . The bending stress is expected to be large for the brackets closest to the impact, but severely drop in magnitude for the next.

Load case four is identical to the previous case, except that the force is set to be acting according to F_{x-x} in the figure. This impact will result in both twisting and bending of the brackets, but on the other hand the magnitude of the applied force is divided by two compared to the force applied on the x-x axis.

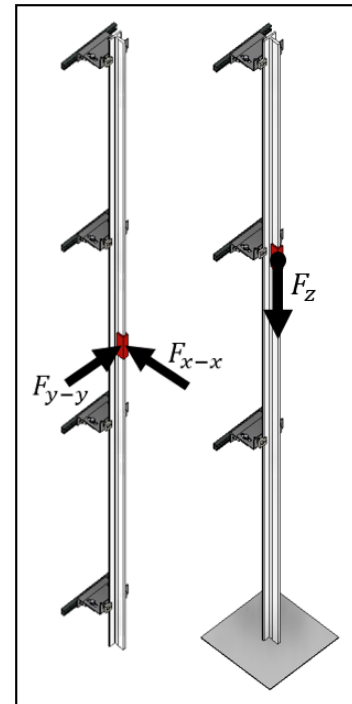


Figure 39 Load case 3, 4 and 5

The fifth and last load case differs from the other cases, as the load is acting in the vertical direction simulating a dragging force representing the activation of a safety gear with a captive roller. The impact point is set parallel to the bracket in question, as illustrated on the right side in the above figure. For the FEM-analysis of this load case, the boundary conditions are altered in order to let the guide rail slip between the rail clips at the specific force, as discussed in section 2.2.3 for rail clips. According to regular procedures for construction steel, the constraints between the guide rail and the connecting components are defined with a coefficient of friction equal to 0.2. In addition, the bottom face of the rail is fixed in order to create the required buckling effect. Since the boundary conditions allows the rail to slip and because most of the impact is picked up in the guide, large stresses are not expected to occur in the brackets. However, the load case is included in the evaluation process, as it is a common factor in the evaluation of land based systems.

The geometric models developed in Autodesk Inventor are constructed using the dimensions of a T90/B for the guide rails to provide a realistic reaction on the brackets. In relation to the impact, this middle class dimension is assumed to be a suitable representation for the system, as the stiffness of a larger dimensions will compensate for a larger potential load and the smaller dimensions with lower stiffness is subjected to smaller loads. Also, future trends indicates an increased use of the T90/B guide rails. As a generalization made for the analysis of the load cases, the bracket distance is set to 1500 mm in the models.

Component mesh for FEM-analysis

After the model geometry is imported to ANSYS and the specific boundary conditions are applied, a proper mesh must be created for the components in order to conduct a valid simulation. The fineness of the grid determines how precise the software will compute the algorithms for solving the simulation. Component elements that are too large will return bad

results, but element sizes that are too small may complicate the commutation to a certain extent were the system crashes or don't produce a result at all. The accuracy of the solution will eventually stagnate at a certain mesh size and a further size reduction is redundant. Also, when looking at a specific part of a multi body construction, it is not necessary to provide a significantly fine grid for the surrounding components. In the process of determining an appropriate mesh for the analysis in this research, the element size for the components of interest were set to *four mm*, equal to the smallest geometric dimension. In doing so, the risk of errors are reduced as the element fits inside the area and the complexity of the automatic mesh is reduced. When running the simulation with an element size of *three mm*, the resulting difference proved insignificant and the suggested sized were considered as sufficient. The grid information for all components included in the FEM analysis is listed in *Table 9* and the mesh for the welded and adjustable bracket solutions are illustrated in *Figure 40* and *Figure 41*, respectively. When analyzing the resulting stresses, it is important to consider the potential effect of singularity, where the loads tend to be concentrated in a small element area. This phenomenon should be defined as a local non-destructive impact and the stresses in the immediate vicinity is to be considered as the real loads.

Table 9 Component mesh

Component	Mesh type	Element size	Nodes	Elements
Top brackets	Element size	4 mm	41658	22428
Welded bracket	Element size	4 mm	123955	74103
Adjustable bracket	Element size	4 mm	72150	44984
Rail clips	Element size	4 mm	5402	3162
Halfen rail	Element size	5 mm	16710	29710
Guide rail T90/B	Element size	25 mm	-	-
Rail shoe	Quad/tri	-	2461	557
Remaining components	Element size	10 mm	-	-

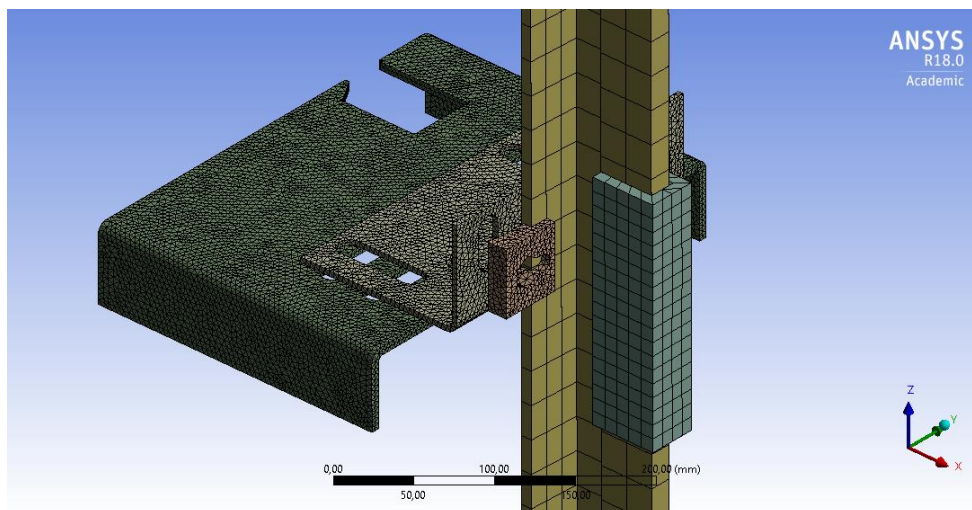


Figure 40 Component mesh for the welded bracket solution

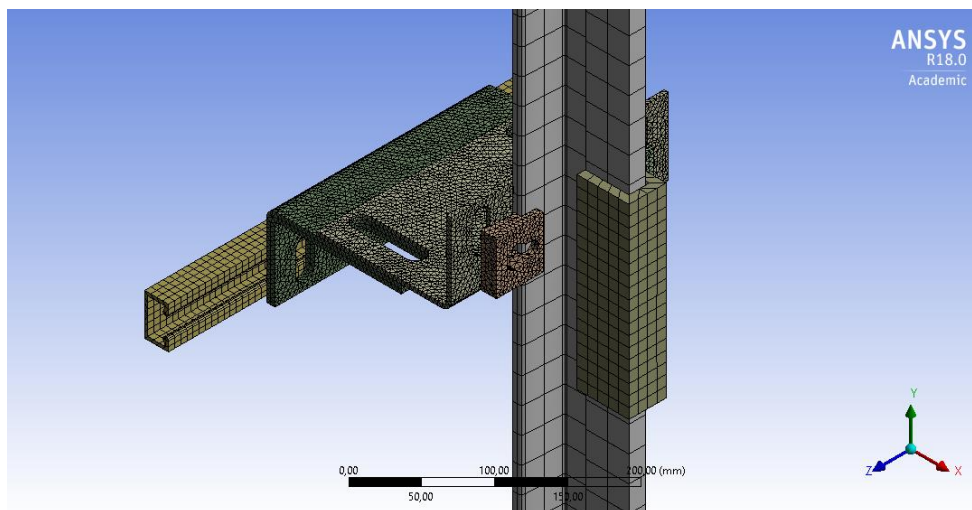


Figure 41 Component mesh for the adjustable bracket solution

Applied forces

The applied forces in the various load cases are based on the tolerance area in which the guide rail can be utilized in the system. For impact in the horizontal direction, the forces are determined according to the matrix for maximum bracket distance and the resulting worst-case-loads produced when bracket distance is above 1500 mm. The measurements from the various combinations of height and weight are plotted in Figure 42 for loads acting on both the x-x and y-y axis of the T90/B guide rail.

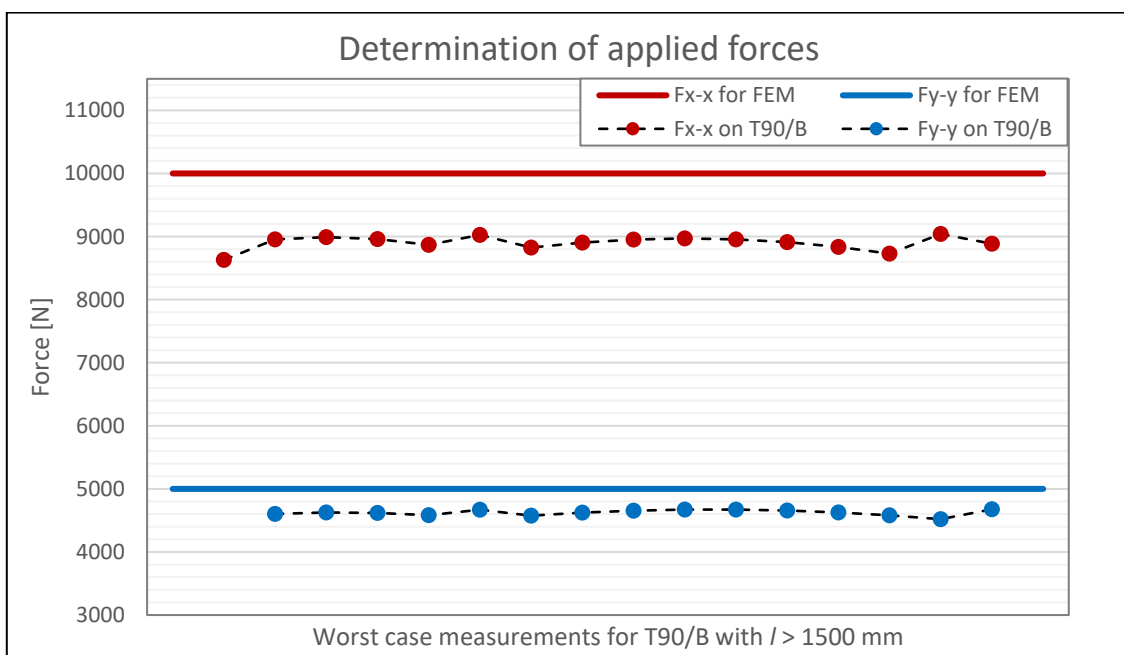


Figure 42 Forces determined for FEM-analyses based on the worst-case measurements

The loads determined in the above graph is considered as the worst-case scenario and impacts greater than this is not expected to occur in on the system. However, in an attempt to investigate the integrity of the individual bracket solutions, an additional analyses is conducted, where the horizontal worst-case-loads are multiplied with 1.5. These applied forces are referred to as extreme loads.

For the applied force in *load case five*, a safety gear with a captive roller is assumed to be activated for a mass with a net weight of 3000 kg. This net weight is doubled for the extreme analysis. In applying *Function 1*, the resulting forces are determined for the vertical drag and listed in *Table 10* together with the other forces applied in the structural analysis.

Table 10 Forces applied for both a worst-case and an extreme scenario

Applied force	Worst-case	Extreme
F_{x-x}	10 kN	15 kN
F_{y-y}	5 kN	7.5 kN
F_z	45 kN	90 kN

3.3 Potential savings

With Case 1, *Traditional Welded* as the base cases, a real current project is set under review in order to provide a realistic estimate of the potential savings thyssenkrupp could achieve by considering one of the other concepts for the EGS-installation on this ship. The marine project in question is a medium sized cruise vessel built by Vard Langsten and contains the total of six elevator shafts. The desired specifications regarding the position, orientation and weight of the elevator components that are to be installed are illustrated in the simplified sketch provided in *Figure 43*. A full list of the ship specifications related to the elevator installation is provided in *Appendix G* and used for establishing the scope of the project. For thyssenkrupp this is a typical projects and the company is currently undertaking several project with the similar scope. The two main aspects to consider when comparing the EGS-concepts are the guide rails needed and the estimated installation time. When compared to the results obtained for the base case, the main EGS-savings may be assumed for the concepts in relation to both weight and expenses. The ship is to be given the name *Sunshine*, but is currently known to as Vard PNO1967.

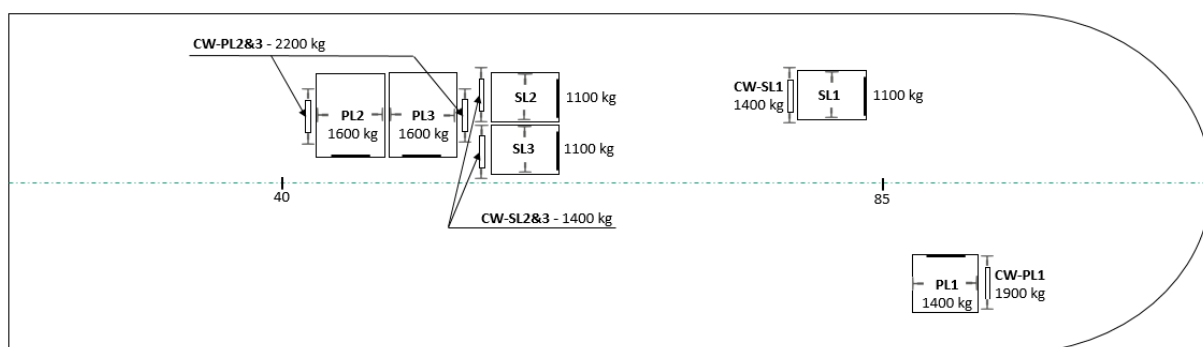


Figure 43 Simplified sketch of the elevator components for the Sunshine project

3.3.1 Type and amount of guide rails

The guide rails are the main component of the EGS and will determine the scope of both material cost and weight, depending on the type and amount needed for the project. With regards to the guide rails, the concepts distinguishes between the traditional and optimized

sizing when deciding on which dimension should be applied for the support of the different elevator components. For this project, Vard is asking for six traction lifts to be installed, three passenger lifts and three service lifts, where the four input specifications are retrieved from the attached specifications and listed in *Table 11*. The traditional sizing is determined based on historical and current practices in thyssenkrupp, where T127/B is applied for the cabins and T90/B is applied for the counterweight, regardless, as long as validated. The traditional sizing for this project can be seen in context with the attachment in *Appendix C* that provides a similar project evaluation. In addition to the component height and weight, the orientation and application area of the guide rail is computed in the calculation tool for optimized sizing according to the table specification below.

Table 11 Traditional and optimized sizing for PNO1967 based on project specifications

Elevator/CW	Guide orientation	Weight W[kg]	Height Z[m]	Traditional sizing	Optimized sizing
PL1	Longitudinal	1400	18.6	T127/B	T90/B
PL2	Longitudinal	1600	21.6	T127/B	T90/B
PL3	Longitudinal	1600	21.6	T127/B	T90/B
CW - PL1	Transverse	1900	18.6	T90/B	T90/B
CW - PL2	Transverse	2200	21.6	T90/B	T90/B
CW - PL3	Transverse	2200	21.6	T90/B	T90/B
SL1	Transverse	1100	15.8	T127/B	T90/B
SL2	Transverse	1100	18.6	T127/B	T90/B
SL3	Transverse	1100	18.6	T127/B	T90/B
CW - SL1	Transverse	1400	15.8	T90/B	T70-1/A
CW - SL2	Transverse	1400	18.6	T90/B	T70-1/A
CW - SL3	Transverse	1400	18,6	T90/B	T70-1/A

Based on the specific elevator travel heights provided by the shipyard and stated in the attached specifications for PNO1967, the amount of the five meter guide rail products that must be ordered from the manufacturer is estimated and listed in *Table 12* for both methods of sizing. The total amount is the same for both methods, but the total difference in material cost and weight may be severely influenced on the account of the different dimensions.

Table 12 Number of five meter guide rails needed for PNO1967

	T70-1/A	T90/B	T127/B
Traditional sizing		48	47
Optimized sizing	23	72	

3.3.2 Estimation of installation time

Statements from the management in the thyssenkrupp marine department indicates that the installation cost related to the EGS could be reduced considerably, mainly depending on the choice of bracket solutions. The hourly rate for the technicians are quite high and the time spent on each elevator shaft is therefore of grate significance in relation to the total EGS-expenses.

In order to make a reasonable assumption of the potential savings related to the EGS-installation, a simplified generalization for the PNO1967 project was established and reviewed in cooperation with the area manager and service manager for the department. The assumptions made are based on the generalized specifications of a single shaft listed in *Table 13*. According to the experienced representations from thyssenkrupp, the main issue is related to the bracket solutions used in the different concepts, but the different specifications on rail dimensions and bracket distance are also considered. With the traditional welded case as the base case, the time needed for installing an EGS supporting the car in a 20 meter high shaft is estimated. The assessment resulted in an estimated time of approximately one and a half week, or 50 hours, for the base case and a reduction of at least 15 hours when switching to the adjustable solution. For the cases where the optimized sizing is applied, the installation time is reduced accordingly, but the expected advantages of the adjustable solutions indicates that the installation time for Case 2 is shorter than Case 3 even when traditionally sized. The essence of this estimation is not the actual time, but the time difference and since the estimation represents the time difference for a single shaft, it is considered reasonable for generalized assumptions of shafts with similar specifications.

Table 13 Estimate of EGS-installation schedule pr. shaft for PNO1967

EGS-installation specification and schedule for Vard PNO1967 "Sunshine"					
Indication		Concept 1 Traditional Welded	Concept 2 Traditional Adjustable	Concept 3 Optimized Welded	Concept 4 Optimized Adjustable
Specifications:					
Shaft height	<i>m</i>	20	20	20	20
Nr. of guides	<i>pr. shaft</i>	8	8	8	8
Rail dimension	<i>type</i>	T127/B	T127/B	T90/B	T90/B
Rail weight	<i>kg</i>	116	116	68	68
Bracket dist.	<i>m</i>	1.5	1.5	1.8	1.8
Nr. of brackets	<i>pr. shaft</i>	26	26	20	20
Bracket type	<i>type</i>	WELDED	ADJUSTABLE	WELDED	ADJUSTABLE
Schedule pr. shaft:					
Hours	<i>h</i>	50	35	44	30
Workers	<i>people</i>	2	2	2	2
Work hours	<i>h</i>	100	70	88	60

4. Analytic results

In this chapter, some analytic results for the implementations discussed in the structural methodology are presented. These results are determined by the specifications previous stated in this report.

4.1 Standardization of guide rail dimensions

As a result of the matrices developed for the optimization of the guide rail sizing, a standardized limitation line can be drawn across the various load combinations for each rail dimension. The limit is defined for bracket distances larger than 1500 mm and for both transverse and longitudinal applications individually, as the conditions differ for the two. The guide rails have their area of application to the right and above the drawn lines in relation to the height and weight, which essentially are the corresponding values for each bottom cell in the yellow field for each matrix indicating bracket distance above 1500 mm. The standardized results for the transverse and longitudinal oriented guide rails are presented in *Figure 44* and *Figure 45*, respectively. In accordance with the method of automatic sizing, the requirements for stowed condition during rolling of the hull are considered as the worst-case and determining factors in the application.

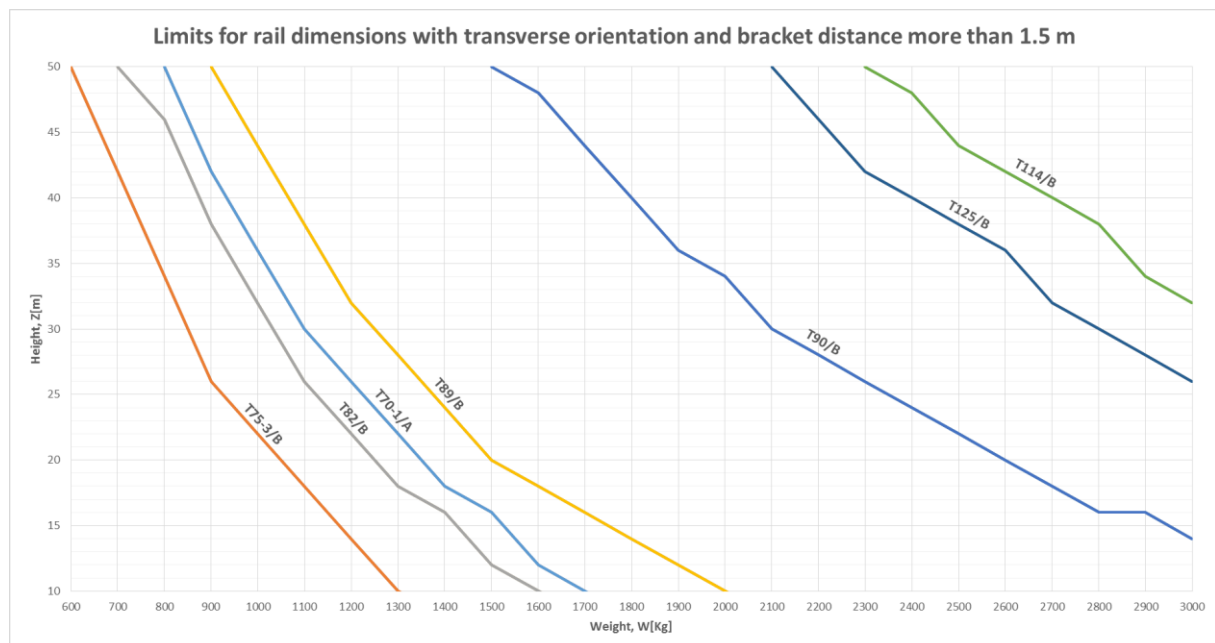


Figure 44 Limits for transverse guide rails

For guide rails oriented in the transverse direction, there is a distinctive difference in performance of the rail dimensions both larger and smaller than the T90/B guide rail. The performance of this dimension should prove sufficient in most of the projects that thyssenkrupp is currently undertaking, but it is important to be vigilant in case the limitation line should be exceeded. On the other hand, the opportunity to go down a size if possible should not be overlooked with regards to the potential savings. For guides with this orientation, the entire impact is concentrated on just the one component when the worst-case occurs.

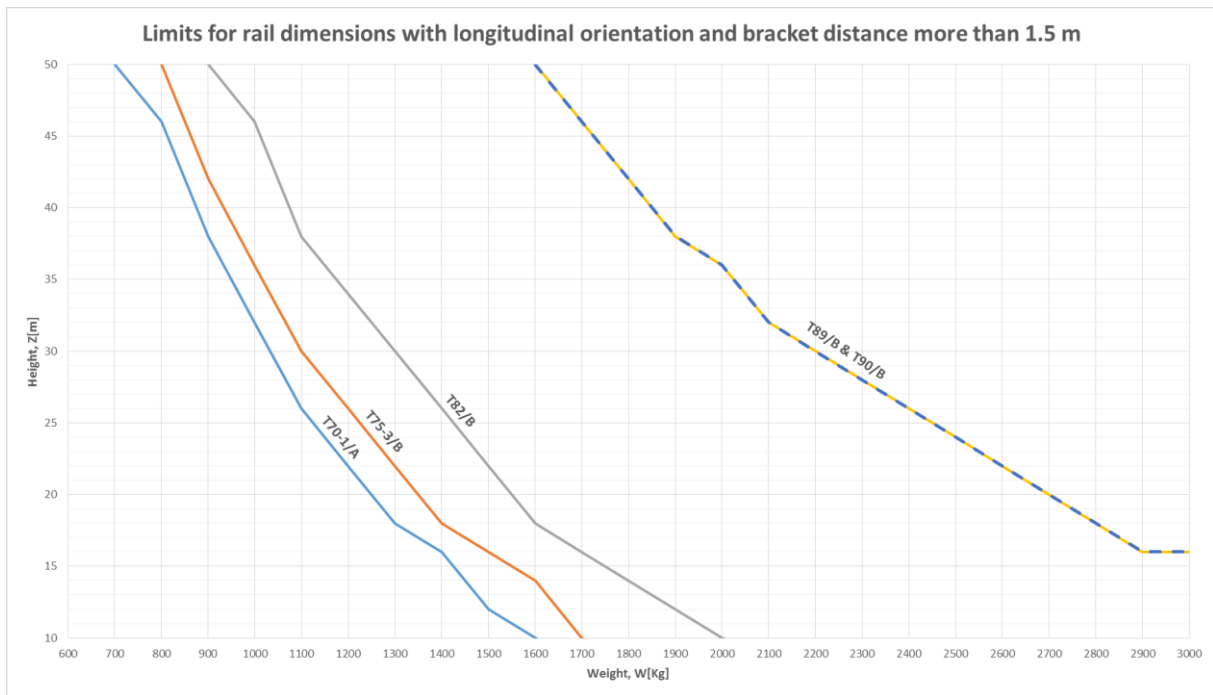


Figure 45 Limits for longitudinal guide rails

For the guide rails oriented in the longitudinal direction, there is a distinctive difference in performance which corresponds to the definition provided for the rail sizes. The light guide rails show a more or less similar performance at the lower range of the graph, the medium sized T89/B and T90/B show identical performance at a higher range, while the heavy guides have a performance beyond the defined area of load combinations when oriented in the longitudinal direction. For guides with this orientation, the impact is divided between the two components and the resulting strain is reduced when the worst-case occur.

The standardized limitation lines for the guide rails can function as an effective aid when dealing with customers and making fast evaluation of different projects. Because of the effect the orientation has on the system, it should be considered in the early phase of the elevator provisions.



Figure 46 Hurtigruten is a typical examples of projects thyssenkrupp is undertaking [13]

4.2 Structural analysis of brackets

The bracket solutions considered in this research are validated by performing a structural analysis of the various load cases presented in section 3.2.2 using the FEM software ANSYS. The five different load cases are conducted for both solutions and with two different loads, one considered as the worst-case and the other as an extreme load. The worst-case reveals the determining value, whereas the extreme load indicates the further performance of the solution. To avoid evaluation based on the effect of singularity for the solutions, the real stresses are considered as the tension in the area of immediate proximity to the maximum value. However, the maximum value is included in the result and referred to as a non-destructive local stress. The FEM-simulation returns the total deformation in *mm* and the Von-Mises stress in *MPa*. In order to demonstrate the effect of the impact, the resulting deflections are enlarged for visibility. Further documentation of the analysis is provided in *Appendix H*, where the deflection results from the FEM-analyses are visualized.

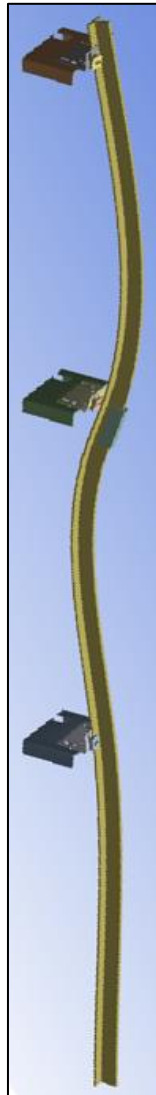


Figure 47 Illustration of an EGS with applied load in ANSYS

4.2.1 Load case 1: Direct load on x-x

The force is applied directly on the system with impact on the x-x axis of the guide rail.

Welded bracket solution

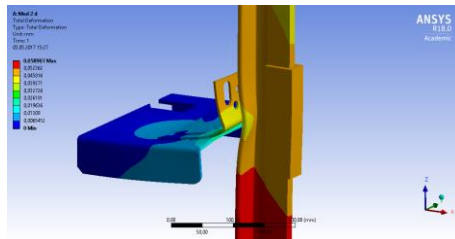


Figure 48 Load case 1 on welded system

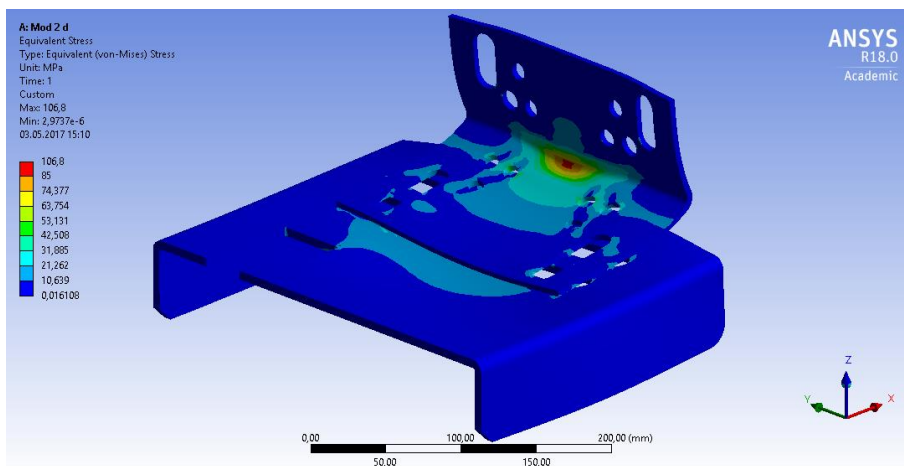


Figure 49 Load case 1 for welded bracket: Simulated worst-case stress result

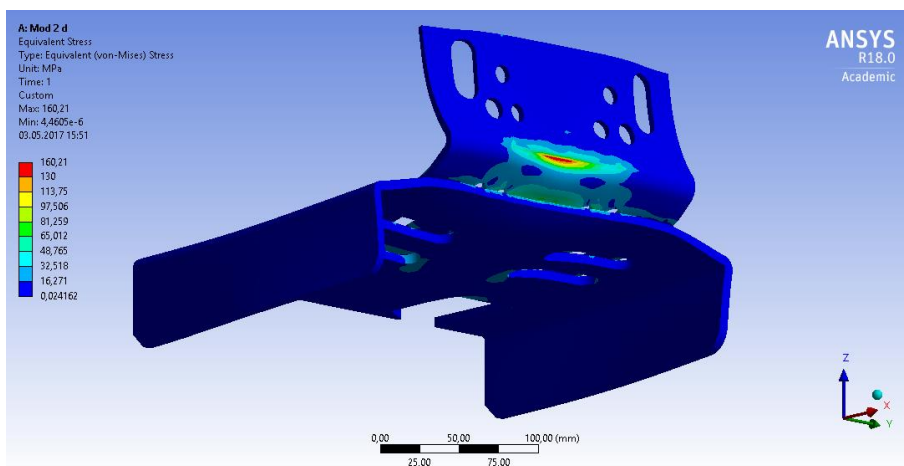


Figure 50 Load case 1 for welded bracket: Simulated extreme stress result

Pressure causes maximum stresses to occur centered on the upper bracket component and on both the front and back side. The reason for this is that the welded bracket is so massive.

Table 14 Load case 1 for welded bracket: Values from simulation results

Applied force		Real stress	Non-destructive local stress	Maximum bracket deflection
Worst-case	$F_{x-x} = 10 \text{ kN}$	85 MPa	106.8 MPa	0.052 mm
Extreme	$F_{x-x} = 15 \text{ kN}$	130 MPa	160.21 MPa	0.078 mm

Adjustable bracket solution

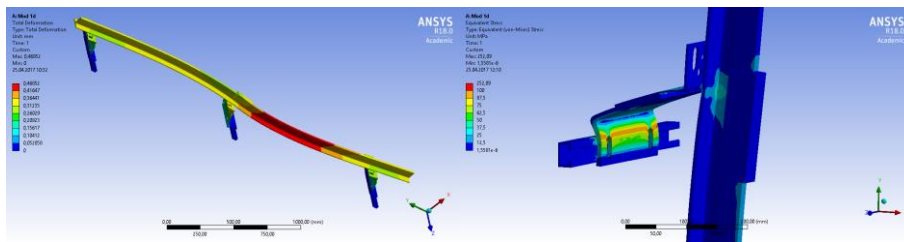


Figure 51 Load case 1 on Adjustable system

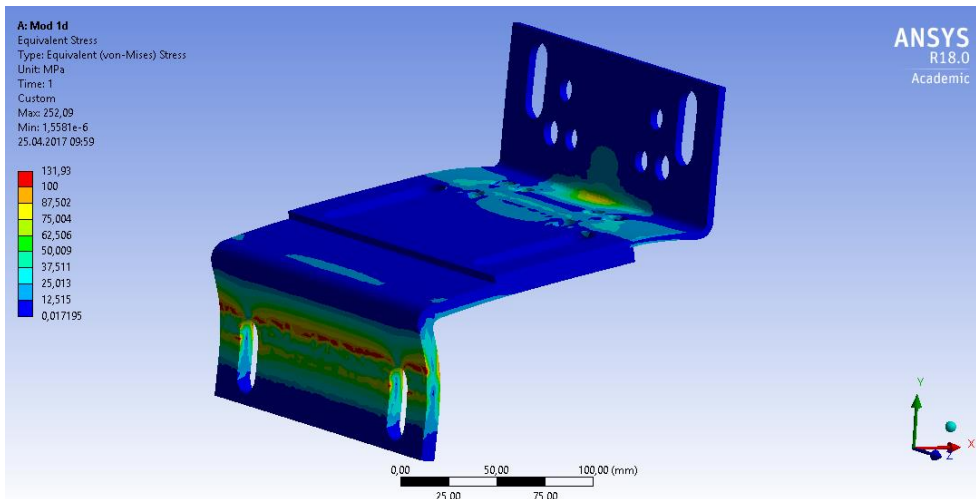


Figure 52 Load case 1 for adjustable bracket: Simulated worst-case stress result

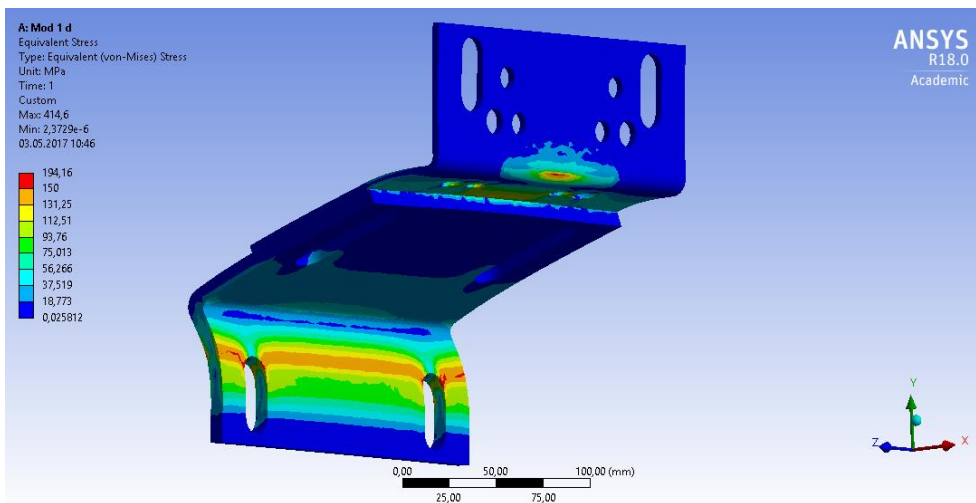


Figure 53 Load case 1 for adjustable bracket: Simulated extreme stress result

On the account of the geometry, the pressure causes the brackets to bend upwards and around the Halfen rail. As a result, the maximum stresses are found here.

Table 15 Load case 1 for adjustable bracket: Values from simulation results

Applied force		Real stress	Non-destructive stress	Maximum bracket deflection
Worst-case	$F_{x-x} = 10 \text{ kN}$	100 MPa	131.93 MPa	0.353 mm
Extreme	$F_{x-x} = 15 \text{ kN}$	150 MPa	194.16 MPa	0.529 mm

4.2.2 Load case 2: Direct load on y-y

The force is applied directly on the system with impact on the y-y axis of the guide rail.

Welded bracket solution

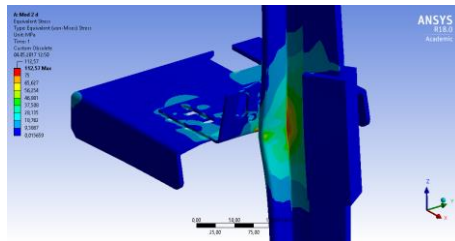


Figure 54 Load case 2 on welded system

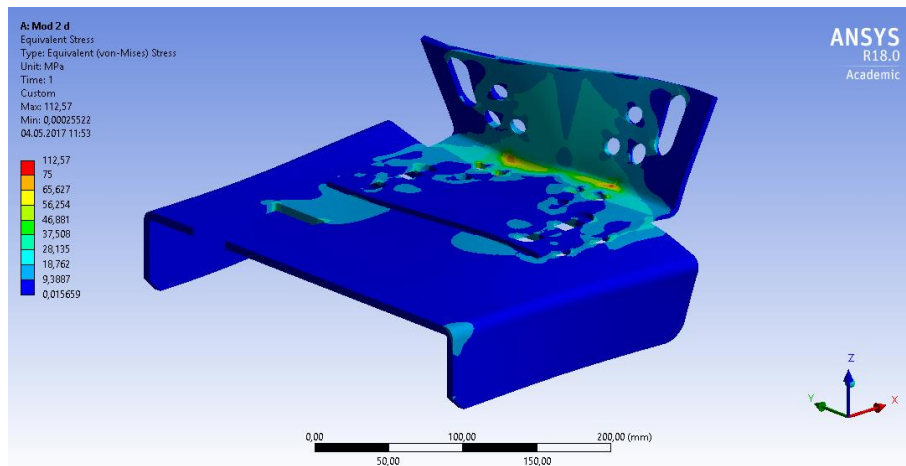


Figure 55 Load case 2 for welded bracket: Simulated worst-case stress result

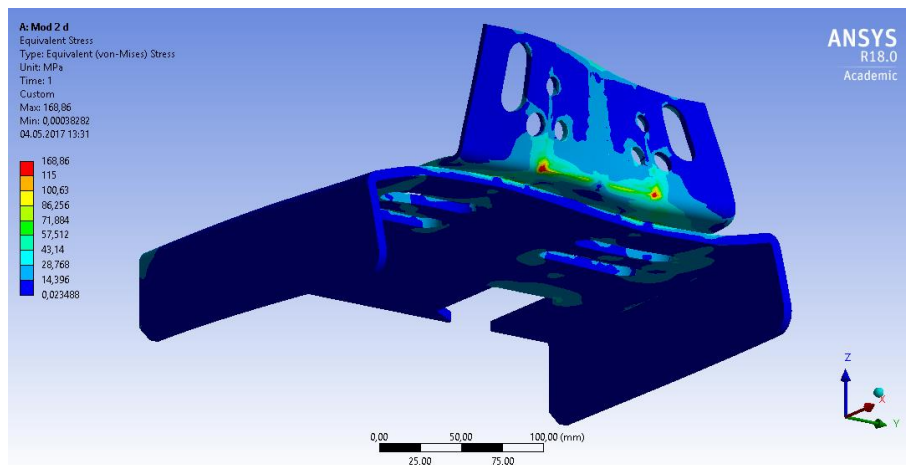


Figure 56 Load case 2 for welded bracket: Simulated extreme stress result

A twisting motion causes maximum stresses to occur on the edges of where the guide rail is in contact with the lower part of the bracket. The welded bracket is less effected.

Table 16 Load case 2 for welded bracket: Values from simulation results

Applied force		Real stress	Non-destructive local stress	Maximum bracket deflection
Worst-case	$F_{y-y} = 5 \text{ kN}$	75 MPa	112.57 MPa	0.079 mm
Extreme	$F_{y-y} = 7.5 \text{ kN}$	115 MPa	168.86 MPa	0.118 mm

Adjustable bracket solution

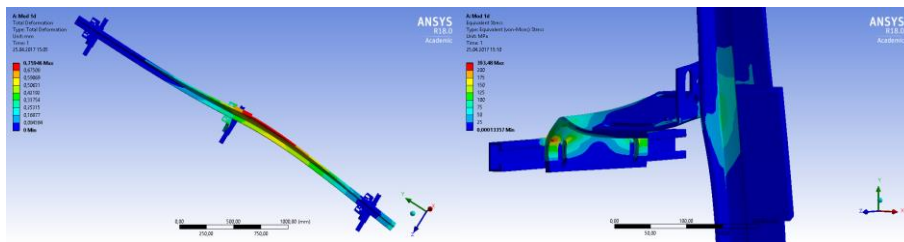


Figure 57 Load case 2 on Adjustable system

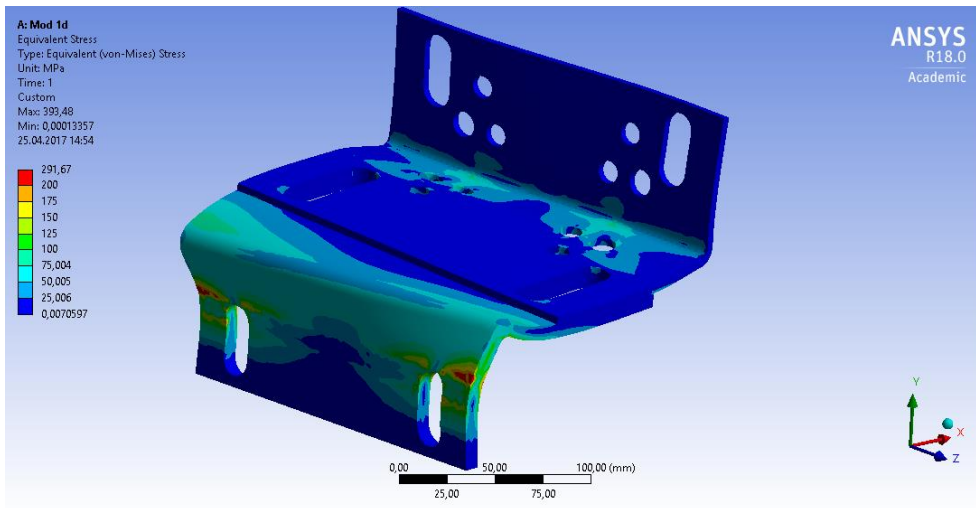


Figure 58 Load case 2 for adjustable bracket: Simulated worst-case stress result

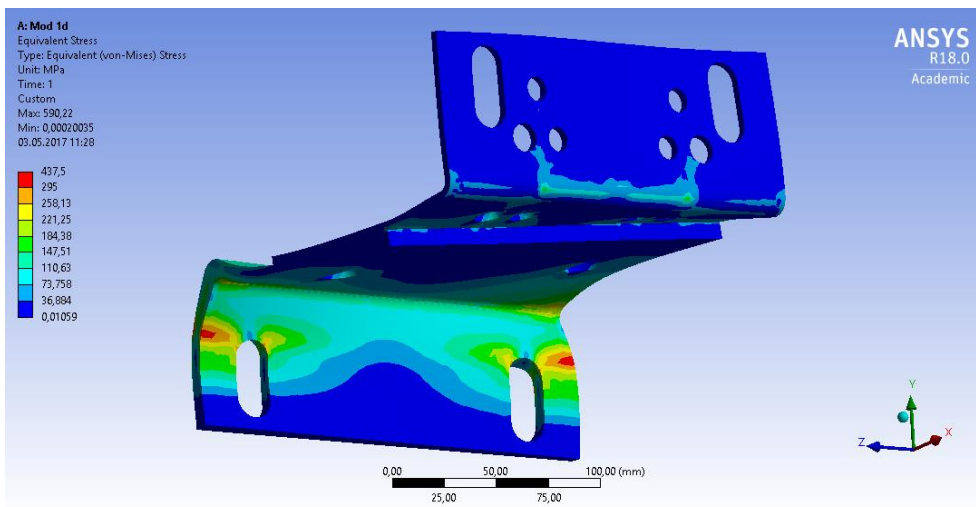


Figure 59 Load case 2 for adjustable bracket: Simulated extreme stress result

The twisting generated by the guide rail travels through the brackets and causes the maximum stresses to occur on the edges of where the bracket is in contact with the Halfen rail.

Table 17 Load case 2 for adjustable bracket: Values from simulation results

Applied force		Real stress	Non-destructive stress	Maximum bracket deflection
Worst-case	$F_{y-y} = 5 \text{ kN}$	200 MPa	291.67 MPa	0.361 mm
Extreme	$F_{y-y} = 7.5 \text{ kN}$	295 MPa	437.5 MPa	0.541 mm

4.2.3 Load case 3: Centered load on x-x

The force is centered between two brackets with impact on the x-x axis of the guide rail.

Welded bracket solution

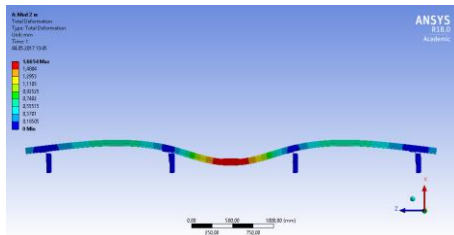


Figure 60 Load case 3 on welded system

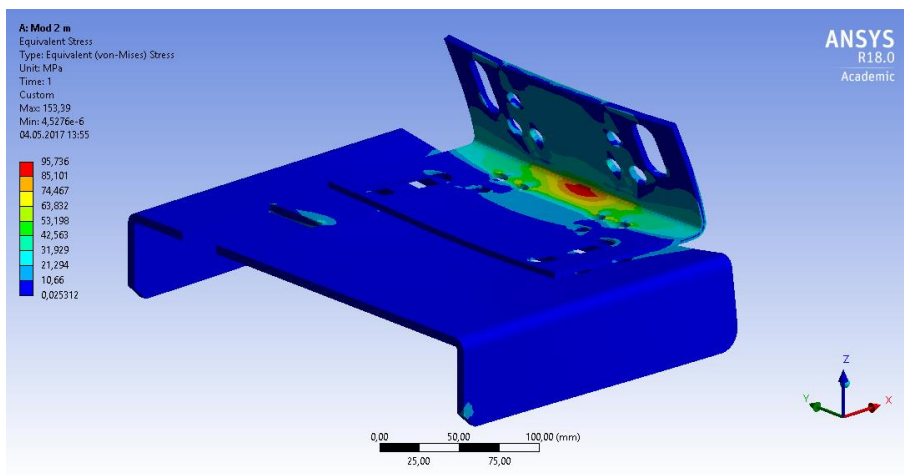


Figure 61 Load case 3 for welded bracket: Simulated worst-case stress result

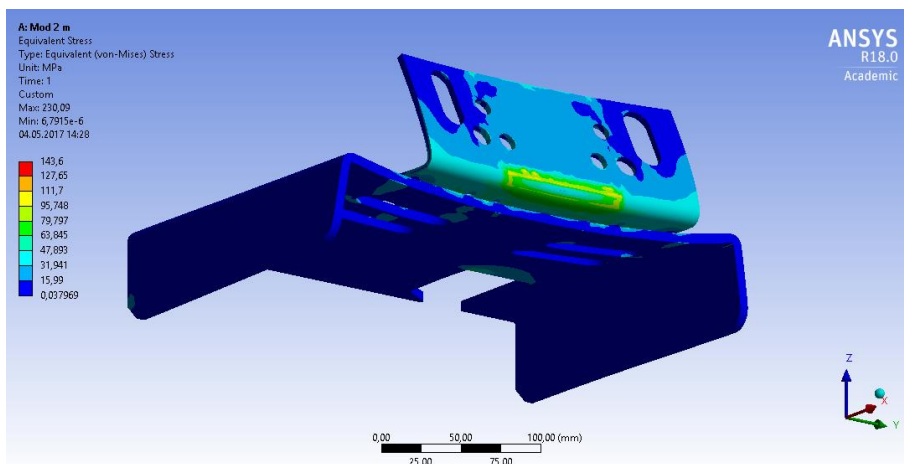


Figure 62 Load case 3 for welded bracket: Simulated extreme stress result

The maximum stresses are found in the bracket directly below the point of impact and are a result of the bending of the smaller bracket part. The stress is concentrated in the back center.

Table 18 Load case 3 for welded bracket: Values from simulation results

Applied force		Real stress	Non-destructive local stress	Maximum bracket deflection
Worst-case	$F_{x-x} = 10 \text{ kN}$	85 MPa	95.376 MPa	0.227 mm
Extreme	$F_{x-x} = 15 \text{ kN}$	128 MPa	143.6 MPa	0.341 mm

Adjustable bracket solution

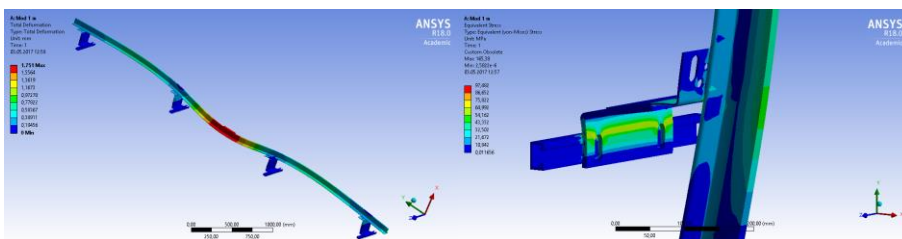


Figure 63 Load case 3 on Adjustable system

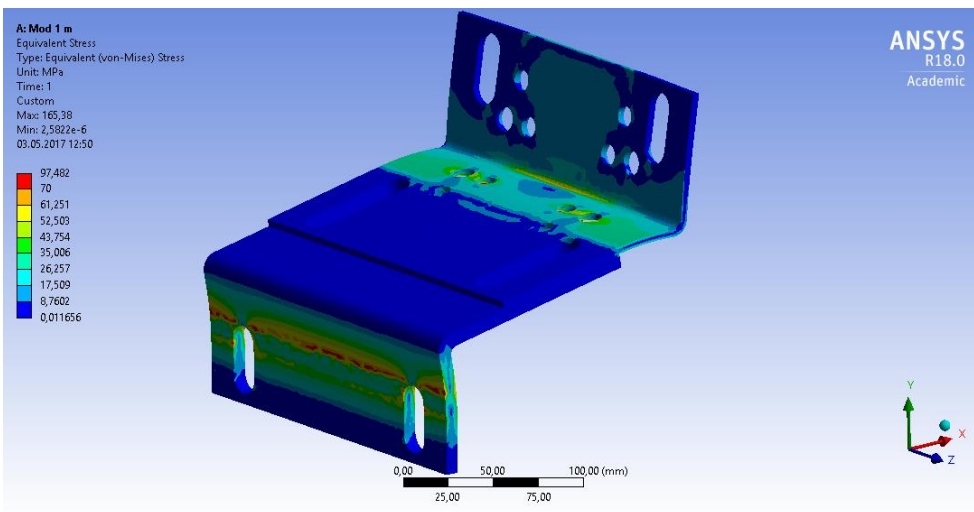


Figure 64 Load case 3 for adjustable bracket: Simulated worst-case stress result

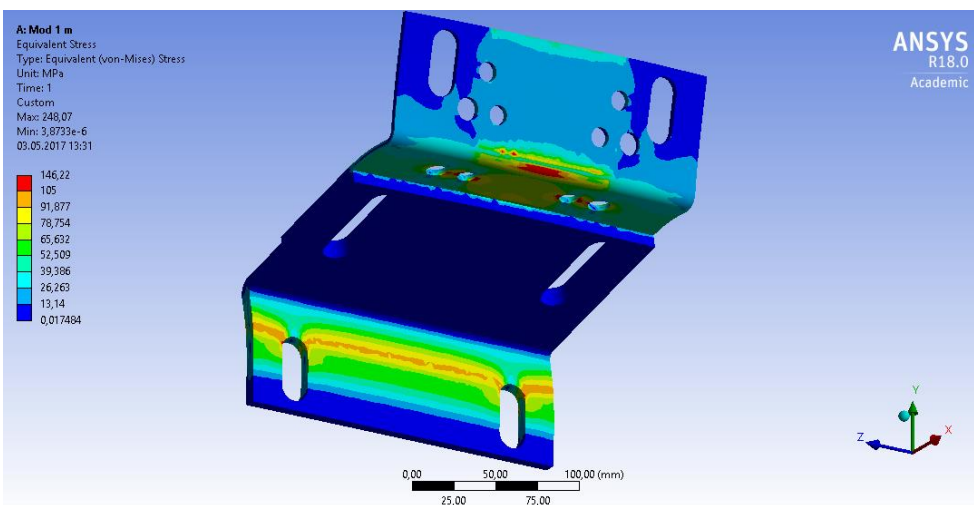


Figure 65 Load case3 for adjustable bracket: Simulated extreme stress result

The maximum stresses are found in the bracket directly above the point of impact and are concentrated in the area of where the bracket bends around the Halfen rail and in the center of where the guide rail is acting on the system.

Table 19 Load case 3 for adjustable bracket: Values from simulation results

Applied force		Real stress	Non-destructive stress	Maximum bracket deflection
Worst-case	$F_{x-x} = 10 \text{ kN}$	70 MPa	97.482 MPa	0.342 mm
Extreme	$F_{x-x} = 15 \text{ kN}$	105 MPa	146.22 MPa	0.513 mm

4.2.4 Load case 4: Centered load on y-y

The force is centered between two brackets with impact on the y-y axis of the guide rail.

Welded bracket solution

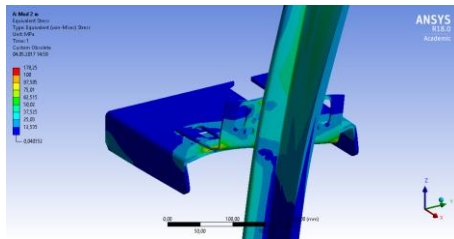


Figure 66 Load case 4 on welded system

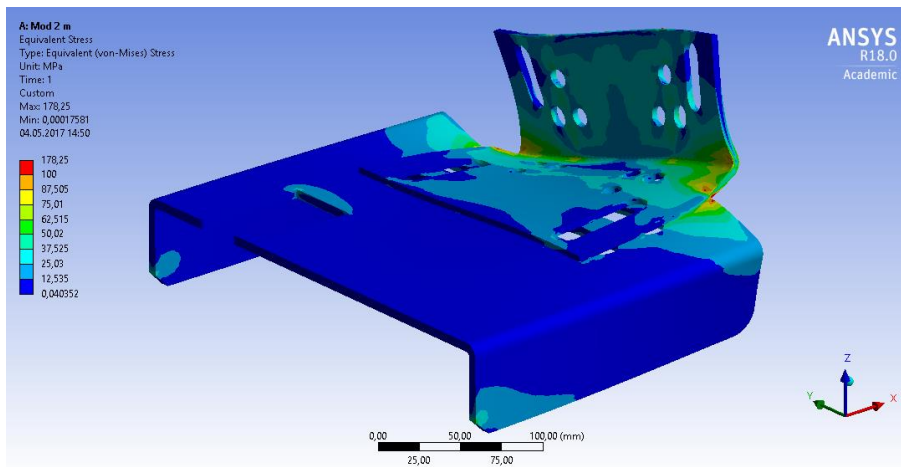


Figure 67 Load case 4 for welded bracket: Simulated worst-case stress result

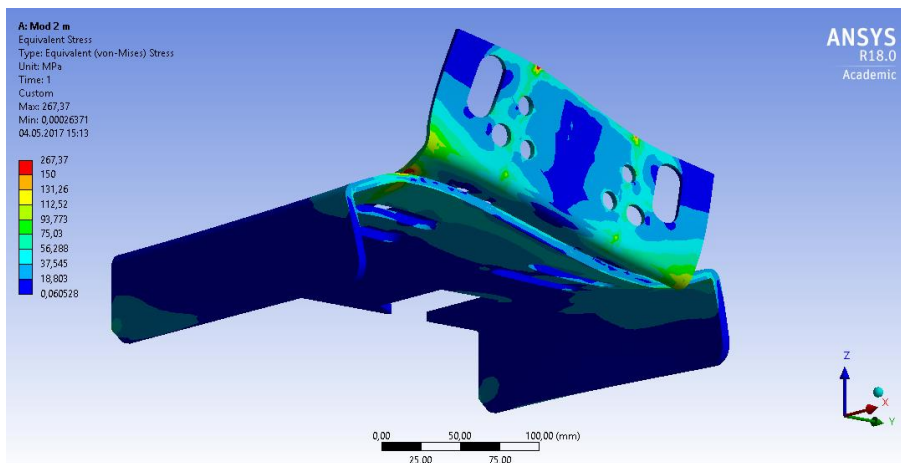


Figure 68 Load case 4 for welded bracket: Simulated extreme stress result

The maximum stresses are found in the bracket directly below the point of impact and causes a twisting tension. The largest values are located in the where the components are connected.

Table 20 Load case 4 for welded bracket: Values from simulation results

Applied force		Real stress	Non-destructive local stress	Maximum bracket deflection
Worst-case	$F_{x-x} = 10 \text{ kN}$	100 MPa	178.25 MPa	0.309 mm
Extreme	$F_{x-x} = 15 \text{ kN}$	150 MPa	267.37 MPa	0.464 mm

Adjustable bracket solution

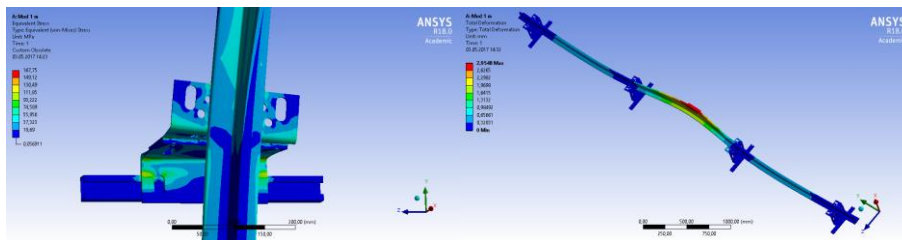


Figure 69 Load case 4 on Adjustable system

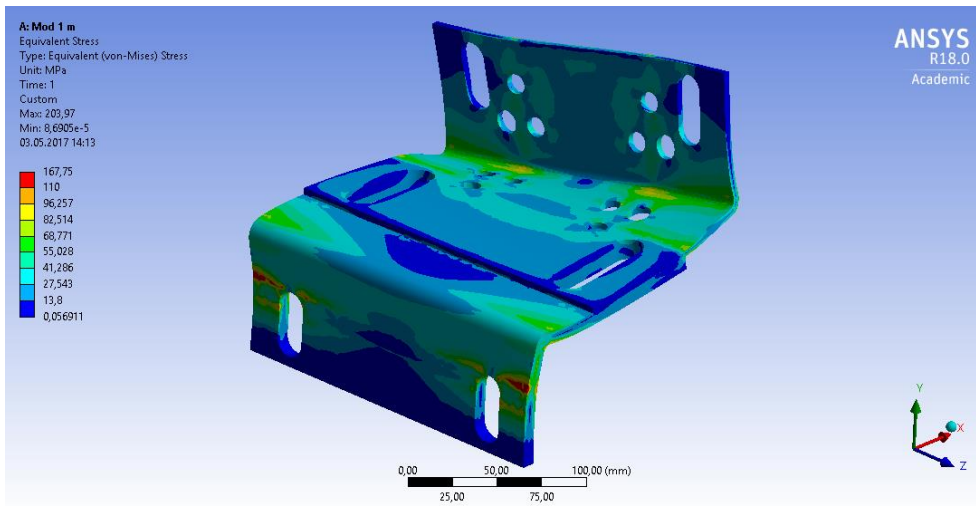


Figure 70 Load case 4 for adjustable bracket: Simulated worst-case stress result

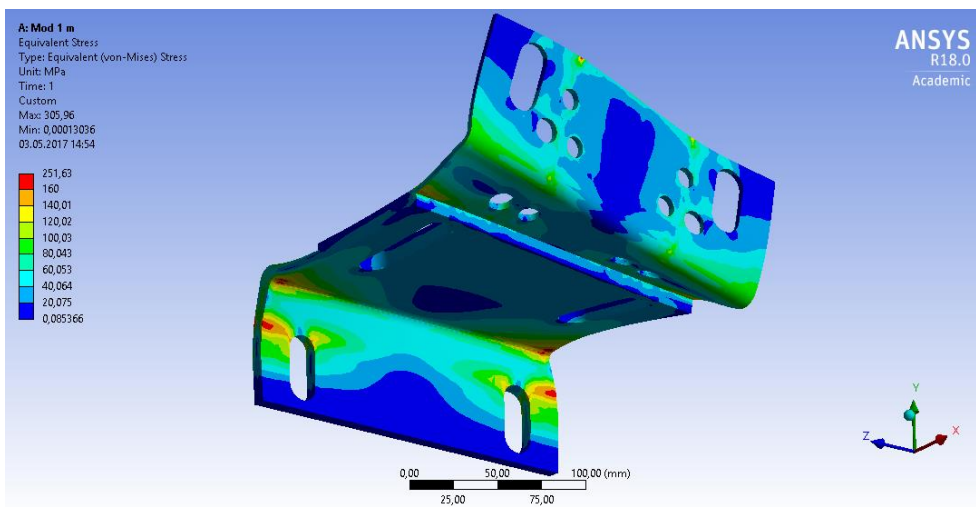


Figure 71 Load case 4 for adjustable bracket: Simulated extreme stress result

The maximum stresses are found in the bracket directly below the point of impact and causes a twisting tension. The largest values are located in the edges of where the bracket are connected to the Halfen rail.

Table 21 Load case 4 for adjustable bracket: Values from simulation results

Applied force		Real stress	Non-destructive stress	Maximum bracket deflection
Worst-case	$F_{x-x} = 10 \text{ kN}$	110 MPa	167.75 MPa	0.479 mm
Extreme	$F_{x-x} = 15 \text{ kN}$	160 MPa	251.63	0.718 mm

4.2.5 Load case 5: Vertical drag with slip

The force is vertically applied, dragging the guide between the rail clips with a friction slip.

Welded bracket solution

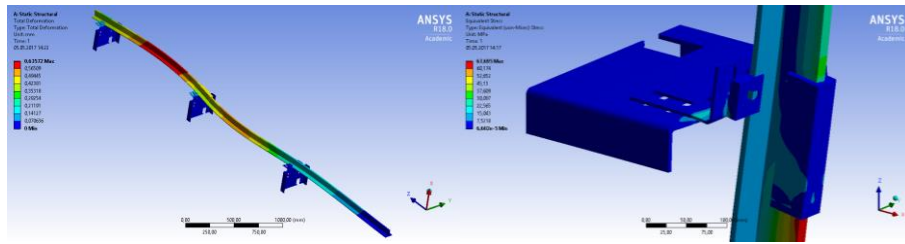


Figure 72 Load case 5 on welded system

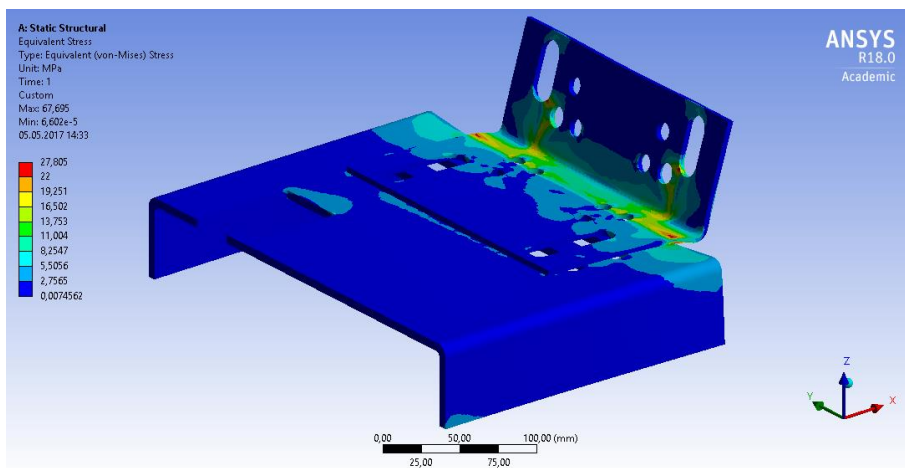


Figure 73 Load case 5 for welded bracket: Simulated heavy load stress result

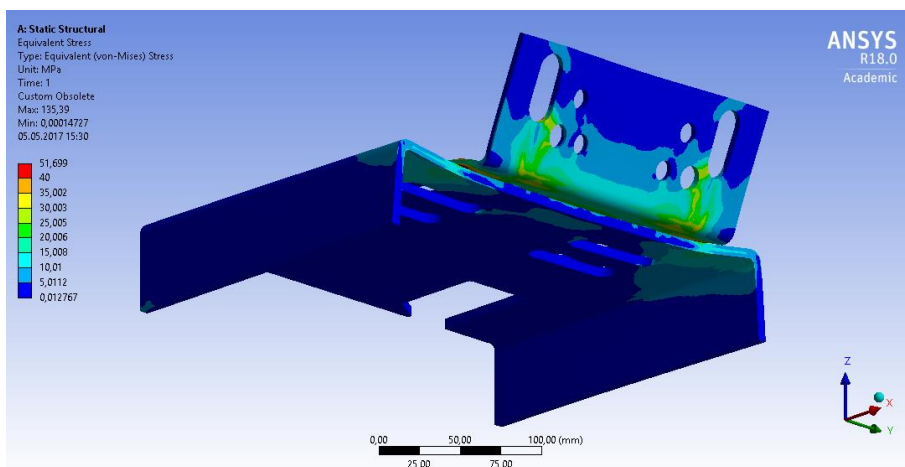


Figure 74 Load case 5 for welded bracket: Simulated extreme stress result

The friction force produced cause for a minor bending of the brackets. The largest stresses are found on top of the upper bracket in the area it bends around the welded component.

Table 22 Load case 5 for welded bracket: Values from simulation results

Applied force		Real stress	Non-destructive local stress	Maximum bracket deflection
Heavy load	$F_{x-x} = 10 \text{ kN}$	22 MPa	27.805 MPa	0.136 mm
Extreme	$F_{x-x} = 15 \text{ kN}$	40 MPa	51.699 MPa	0.259 mm

Adjustable bracket solution

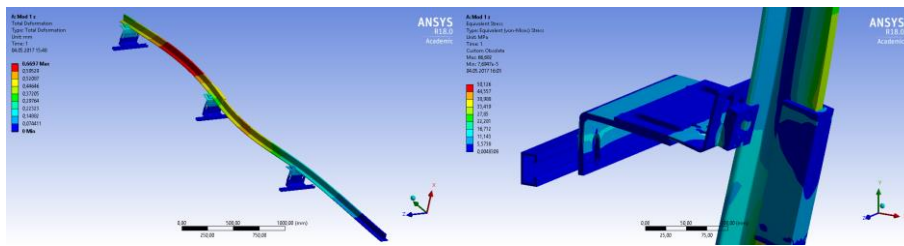


Figure 75 Load case 5 on Adjustable system

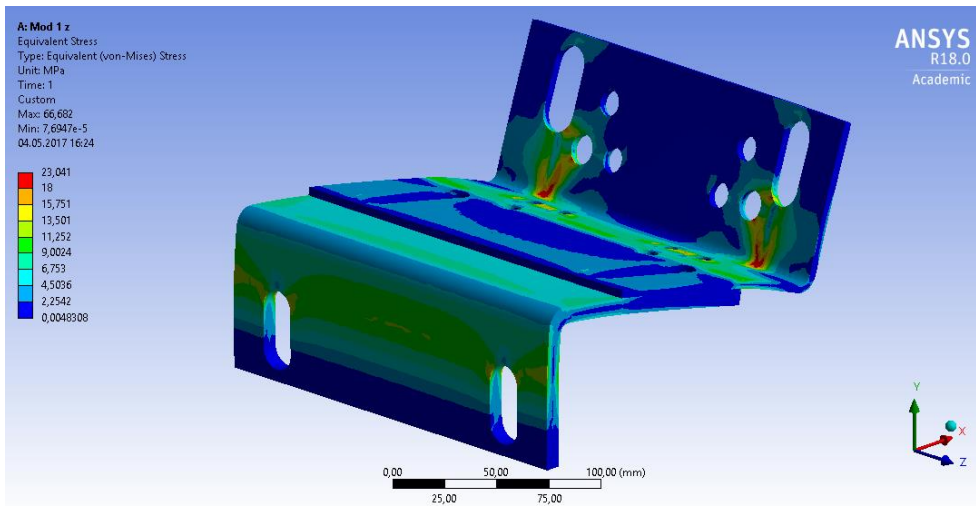


Figure 76 Load case 5 for adjustable bracket: Simulated heavy load stress result

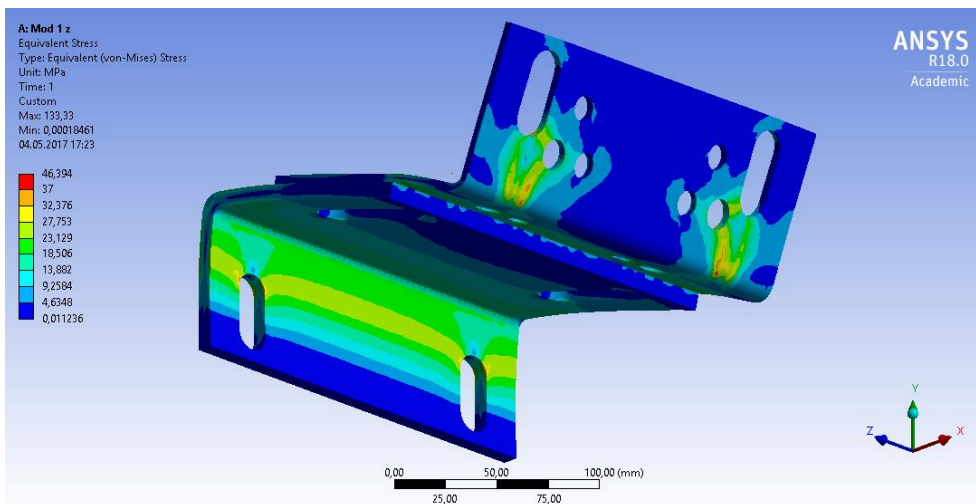


Figure 77 Load case 5 for adjustable bracket: Simulated extreme stress result

The friction force produced cause for a minor bending of the brackets. The largest stresses are found in the area of which the rail clips are connected to the bracket.

Table 23 Load case 5 for adjustable bracket: Values from simulation results

Applied force		Real stress	Non-destructive stress	Maximum bracket deflection
Worst-case	$F_{x-x} = 10 \text{ kN}$	18 MPa	23.041 MPa	0.250 mm
Extreme	$F_{x-x} = 15 \text{ kN}$	37 MPa	46.394 MPa	0.533 mm

4.2.6 Overall bracket stress results

Table 24 Complete list of simulated bracket stress results

STRESS RESULTS					
LOAD CASE		LOADS			
Direct		Worst-case		Extreme	
		Real	Non-destructive	Real	Non-destructive
1 x-x	Welded	85 MPa	107 MPa	120 MPa	160 MPa
	Adjustable	100 MPa	131 MPa	150 MPa	194 MPa
2 y-y	Welded	75 MPa	113 MPa	115 MPa	167 MPa
	Adjustable	200 MPa	292 MPa	295 MPa	438 MPa
Centered		Worst-case		Extreme	
		Real	Non-destructive	Real	Non-destructive
3 x-x	Welded	85 MPa	96 MPa	128 MPa	144 MPa
	Adjustable	70 MPa	98 MPa	105 MPa	146 MPa
4 y-y	Welded	100 MPa	178 MPa	150 MPa	267 MPa
	Adjustable	110 MPa	168 MPa	160 MPa	252 MPa
Vertical		Heavy load		Extreme	
		Real	Non-destructive	Real	Non-destructive
5 z	Welded	22 MPa	28 MPa	40 MPa	52 MPa
	Adjustable	18 MPa	23 MPa	37 MPa	46 MPa

The simulated stress results from the structural analyses of the brackets are sorted and presented in *Table 24*. For both bracket solution, the obtained result from each load case contains four values that provides an identification on how the two solutions are performing in the different conditions. Even though the actual validation of the brackets are determined by the values in the left stress row only, the combined results contributes to create a transparent impression of the bracket characteristics.

A more analytical presentation of the stress results are presented in *Figure 78* *Figure 79*, where the brackets are reviewed separately and the values are measured against a limitation line set equal to the material yield stress. Form this graphic composition, the performance of the welded bracket solution proves to be quite steady, whereas the presentation of the adjustable bracket performance is more variable, depending on the direction of the applied force. Even though the determination line in both graphs provides validation for the application of the solutions, it also indicates a vulnerability for loads acting sideways on the adjustable bracket, especially when the impact is applied directly on the system. In this case, all other readings exceeds the limitation line, indicating that the absolute performance of this solution is at its utmost. As expected, the resulting stresses from the vertical drag proved insignificant.

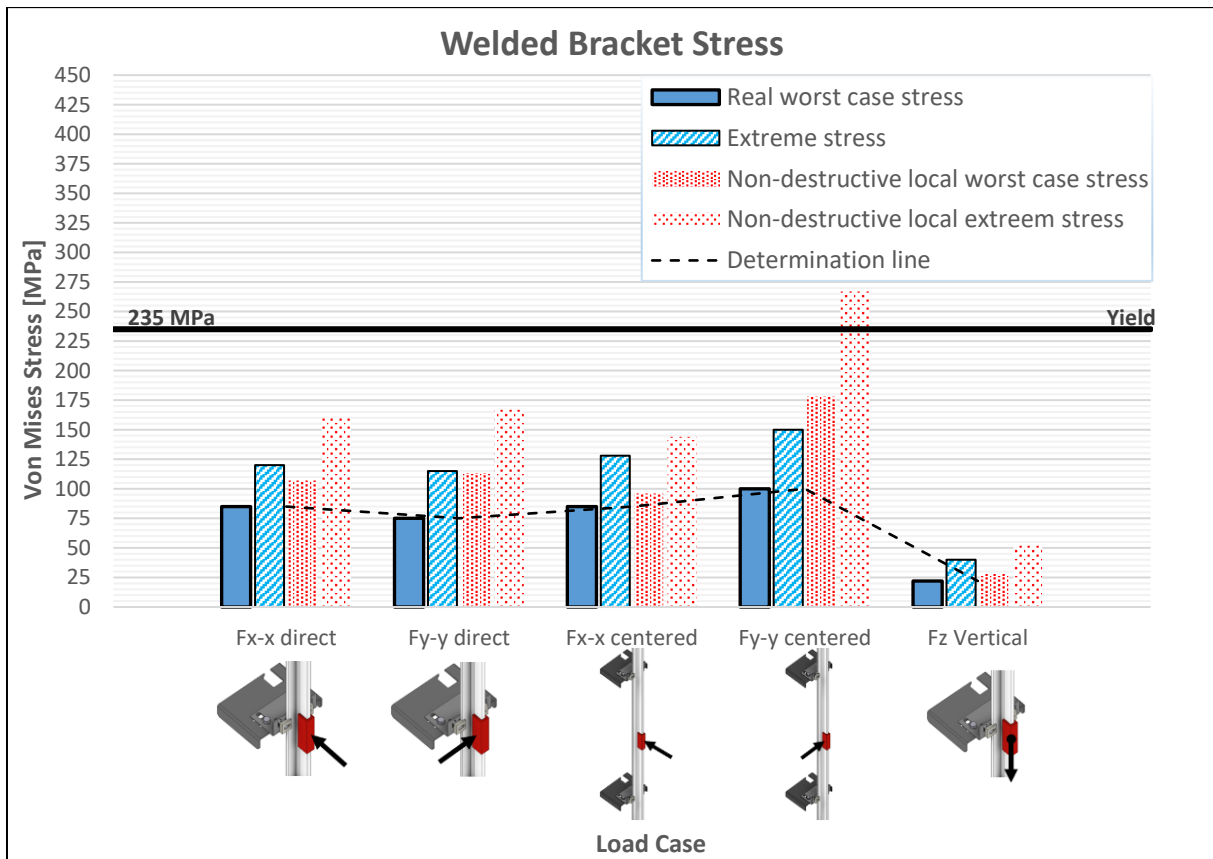


Figure 78 Welded bracket stress results from structural analysis

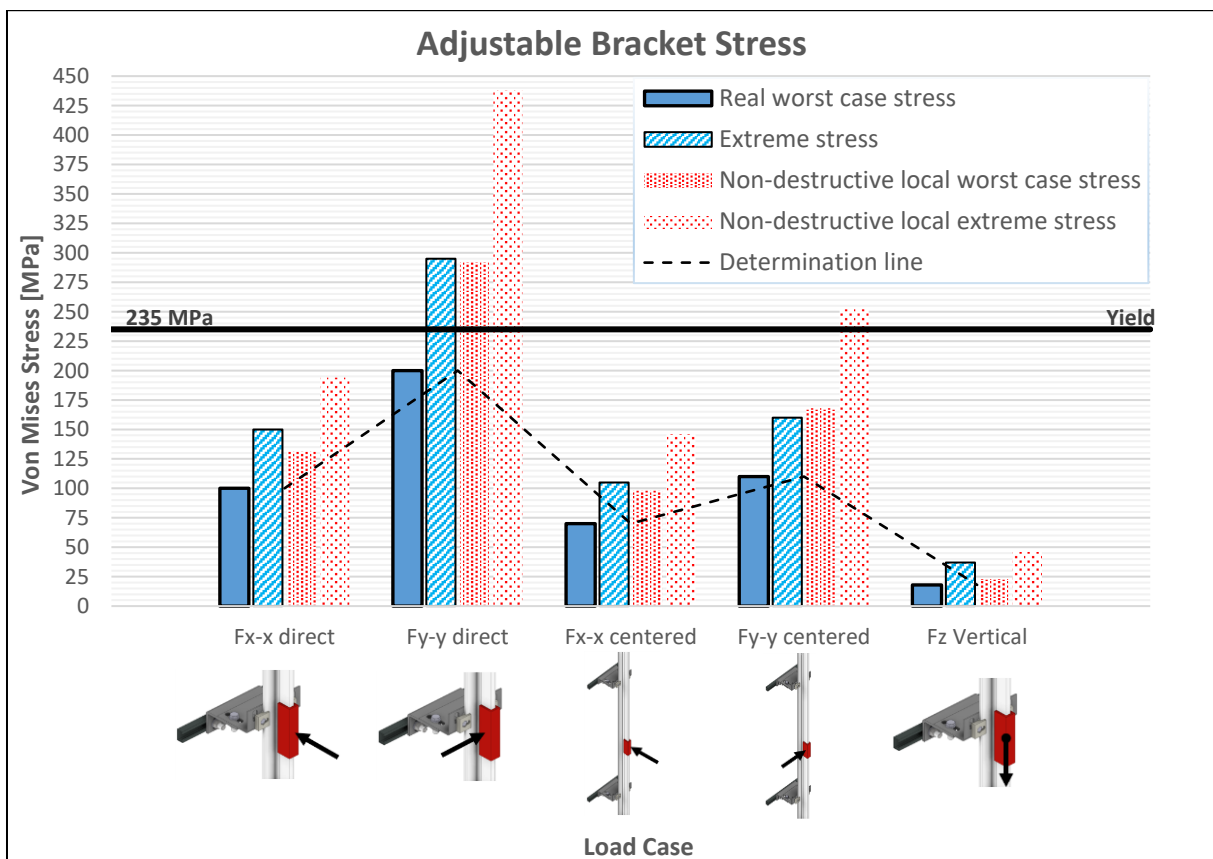


Figure 79 Adjustable bracket stress results from structural analysis

4.3 Estimated savings

By combining the information provided for the installation and product specifications in section 2.4 and the estimations performed for the potential savings in section 3.3, a fairly precise and objective approximation can be accomplished with regards to the concept differences in relation to both component weight and overall expenses. In order to carry out a realistic estimation, a practical example is reviewed, where the specifications are obtained from the current project Vard PNO1967. The main aspects considered for the execution are the guide rail material cost and weight and the approximate amount of working hours spent performing the EGS-installation in a generalized elevator shaft.

4.3.1 Material cost and weight

The product price and weight are retrieved from *Table 6* Cost and weight for specific guide rail products à 5 mand the type and amount of guide rails for the different methods of sizing are taken from *Table 12*.

Table 25 Material cost and weight for the guide rails needed in the six elevator shafts

Component info			Traditional sizing			Optimized sizing		
Dimension	Price [€]	Weight [kg]	Amount [pcs]	Cost [€]	Weight [kg]	Amount [pcs]	Cost [€]	Weight [kg]
T127	257	116	47	12058	5447	0	0	0
T90	154	68	48	7399	3252	72	11098	4878
T70	68	44	0	0	0	23	1564	1015
Sum			95 pcs:	19457 €	8699 kg	95 pcs:	12662 €	5893 kg

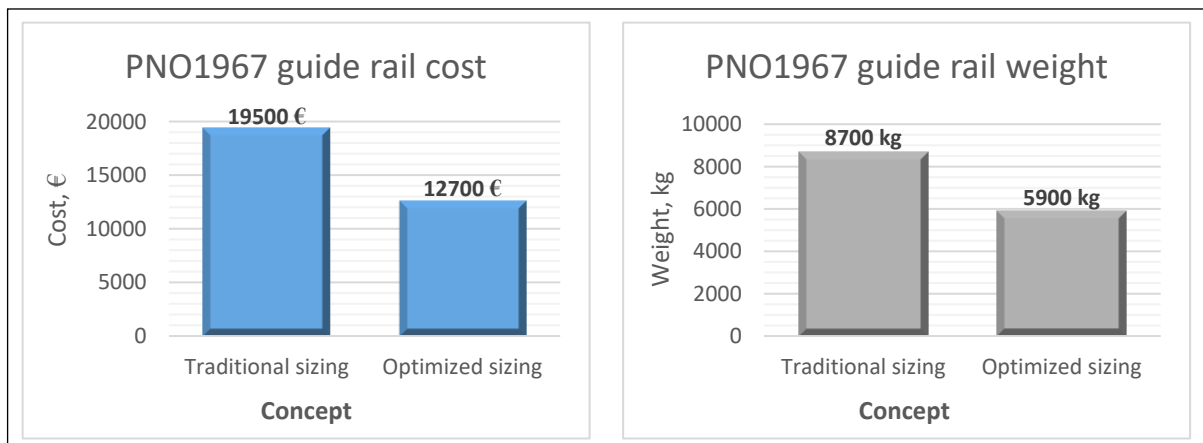


Figure 80 Guide rail cost and weight rounded off to the nearest hundred

The results from *Table 25* are rounded off to the nearest hundred and presented in *Figure 80*, where the distinctive differences for the methods of sizing are visualized. Since the results are based on the total of six elevator shafts with more or less the same characteristics, it is considered reasonable to make a generalization for the potential savings per shaft and use this in the estimations for similar projects. The potential guide rail material savings from using the optimized method of sizing is presented in *Table 26* for both the project and per shaft.

Table 26 Potential material savings when applying the optimized method for sizing

Guide rail material savings				
Scope	Cost		Weight	
Vard PNO1967	6795 €	34.9 %	2806 kg	32,3 %
Approximate pr. shaft	1132 €		468 kg	

4.3.2 EGS-installation cost

When combining the estimated amount of work hours needed for installing the EGS in a generalized elevator shaft, found in Table 13, with the hourly rate for technicians provided in Table 7, the approximate EGS-installation cost is estimated for the different concepts and presented in Table 27.

Table 27 Estimated EGS-installation cost

Approximate EGS-installation cost					
Indication		Concept 1: Traditional Welded	Concept 2: Traditional Adjustable	Concept 3: Optimized Welded	Concept 4: Optimized Adjustable
Specifications:					
Hourly rate	€/h	75	75	75	75
Work hours	h/shaft	100	70	88	60
Cost pr. shaft	€	7500	5250	6600	4500
Vard PNO1967	€	45000	31500	39600	27000

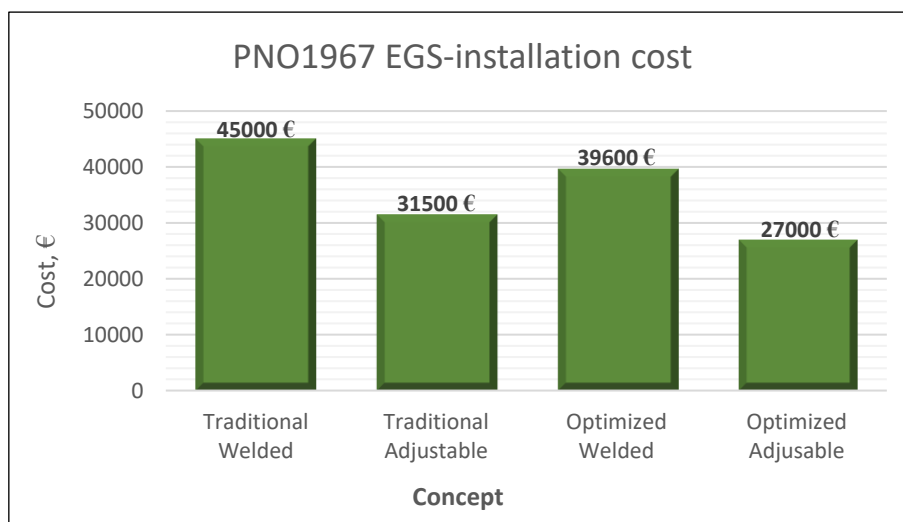


Figure 81 Estimated concept EGS-installation cost for PNO1967

The potential savings for the different concepts of EGS-installation are estimated from the traditional welded concept as the base case and presented in Table 28, indicating the reduction for both the project and per shaft.

Table 28 EGS-installation cost reduction for the various concepts

EGS-installation cost reduction			
Concept	Vard PNO1967	Approximate pr. shaft	Percent
1	Traditional welded	(45000 €)	(100 %)
2	Traditional adjustable	-13500 €	-30.0 %
3	Optimized welded	-5400 €	-12.0 %
4	Optimized adjustable	-18000 €	-40.0 %

4.3.3 Overall reduction potential of EGS-expenses

Based on the approximations and assumptions made throughout section 4.3, an overall estimation is made in relation to the EGS-expenses. The overall estimated expenses for Vard PNO1967 are listed in *Table 29* and presented in *Figure 82*.

Table 29 Estimated overall EGS-expenses for PNO1967

Estimated EGS-expenses for PNO1967			
Concept	Material cost	Installation cost	Overall expenses
1	19500 €	45000 €	64500 €
2		31500 €	51000 €
3	12700 €	39600 €	52300 €
4		27000 €	39700 €

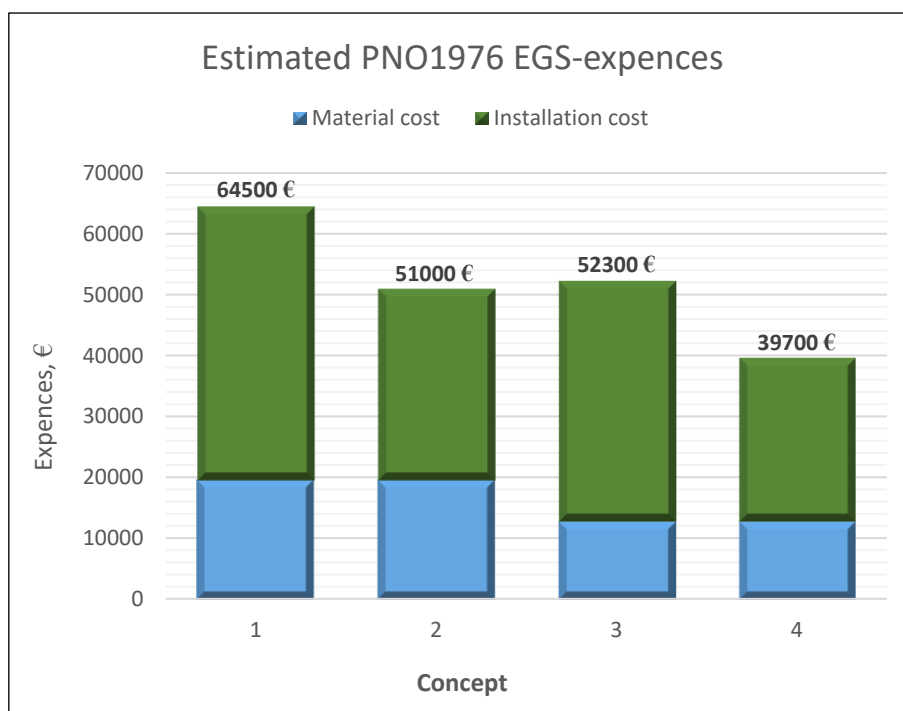


Figure 82 Estimated overall EGS-expenses for PNO1976

The estimation of the different expenses for the various concept indicates a considerable variation in the overall EGS-expenditures. In *Table 31*, the potential overall cost reductions are listed for the concepts in relation to the base case. The cost reduction is presented with respect to the EGS-expenses for both a single elevator shaft and for the reviewed project. In addition, based on the collection provided in *Table 30*, an estimation is included for all current potential projects thyssenkrupp is involved with.

Table 30 Current potential projects and elevator shafts

Current potential projects			
Project	Nr. of vessels	Lifts pr. ship	Nr. of elevators pr. project
Hurtigruten	4	8	32
Hapaq Lloyd	2	5	10
Collor Line	1	9	9
Sunshine	1	6	6
Ponant	4	6	24
Total amount of potential elevator shafts			81

*Subjected to changes

Table 31 Estimated reduction potential for overall EGS-expenses

Estimated overall reduction of EGS-expenses				
Concept	Per shaft	Vard PNO1967	Current potential projects	Percent
1	(10750 €)	(64500 €)	(870750 €)	(100 %)
2	-2247 €	-13500 €	-181987 €	-20.9 %
3	-2032 €	-12200 €	-164572 €	-18.9 %
4	-4128 €	-24800 €	-334368 €	-38.4 %

5. Discussion

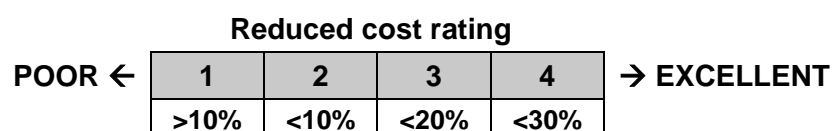
The discussions in this chapter consists of two parts; one where the reviewed concepts are assessed against a weighted screening method in order to make an objective statement regarding their individual potential and the other where the general aspects of the research are discussed in greater detail.

5.1 Assessment

The concepts are assessed based on the three screening principles complexity, risk and cost, as discussed in section 3.1 and rated on a scale from *one* to *four* depending on the corresponding qualities identified in this research. A score of one suggests a poor performance in relation to the screening principle in question, whereas a score of four indicates excellent potential. The score will point out the characteristics of the concept, either positive or negative, but must be considered in context with the final weighted rating in order to identify the concept applicability. A score of two and three suggests acceptable and good performance, respectively.



Since the screening principle related to the concept expenses is a more concise and measurable criteria, the concept rating with respect to cost is given based on the potential savings in accordance to the below scale.



5.1.1 Concept 1: Traditional welded

In this concept, the guide rails are determined from the traditional sizing method, which in most cases results in over-engineering and the application of massive dimensions. This could complicate the situation with regards to the shipyards wishes to keep the component weight to a minimum within the elevator shaft and reduce the quality of the finished product. However, the massive dimensions will provide structural abilities way beyond the requirements for certification set by DNV. Because of this, the concept is considered as excellent with respect to potential risks and given the highest score for this criteria. Even though the component weight might cause complications, the application of the welded bracket solution eliminates the complexity tied to altering potential stiffeners inside the trunk and the implementation of this concept is therefore *not* considered as complex. The welded bracket is however considered as a poor solution in relation to the installation time and resulting cost. In addition, the material cost is considered quite high for the massive guide rail dimensions applied in this concept which is expected to have the highest EGS-expenses. Because of this, the traditional welded concept is defined as the base case in relation to the overall cost and is therefore at a

zero percent cost reduction. The rated score in relation to the screening principles for this concept is presented in *Table 32* below.

Table 32 Concept 1: Rated score

Complexity	Risk	Cost
3	4	1

5.1.2 Concept 2: Traditional adjustable

For the second concept, the guide rails are sized using the same method as for the base case, which results in high component weights inside the elevator trunk. In this case, the adjustable bracket solution is considered for the EGS. Because this solution requires a smooth trunk surface in the area for the associated Halfen rail, this could complicate the applicability of the concept if the issue is not addressed in early dialog with the shipyard and the stiffeners are placed on the inside the trunk. As a result of these potential complications, this concept is rated poorly against complexity. The structural abilities for the guide rail is the same as for the base case, whereas the bracket solution proves to be more variable depending on the direction of impact. However, the solution is within the requirements and verified against the conservative worst-case loads and is therefore considered to perform well in relation to potential risks. As a result of applying the adjustable brackets, the estimated EGS-installation time for this concept is reduced and the overall potential savings are 20.9 % compared to the base case and therefore given the score of *three* for cost.

Table 33 Concept 2: Rated score

Complexity	Risk	Cost
1	3	3

5.1.3 Concept 3: Optimized welded

In this concept, the optimized method for sizing of guide rails are applied and the potential risk of over-engineering against the requirements for validation is eliminated. This method is combined with the welded bracket solution and the concept can be applied without regards to any stiffeners. As a result of this and the reduced component weight, the concept abilities are considered as excellent in relation to the complexity. This is also the case with regards to potential risks, as then structural abilities of the EGS-components are validated and performs at a stable level. The potential savings are reduced as a result of the optimized sizing of the guide rail, but the resulting installation time for applying the welded bracket solution keeps the potential cost reduction below 20 %.

Table 34 Concept 3: Rated score

Complexity	Risk	Cost
4	4	2

5.1.4 Concept 4: Optimized adjustable

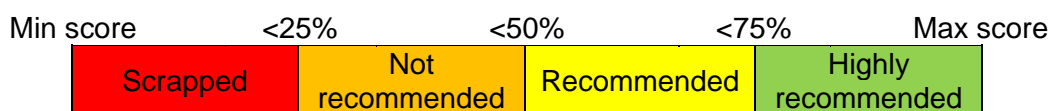
The fourth concept reviewed in this research is generally considered as the most promising alternative for future projects. However, there are aspects related to the concept that could complicate the implementation and limit the application. Even though the component weights are reduced, the complication related to the possible trunk stiffeners is an issue that needs to be addressed for the concept to be feasible. Also, the variation in bracket performance might cause for some concern if the system should ever be exposed to lodes exceeding the area for validation. Still, the concept abilities are considered good against potential risks. In relation to the expenses, the potential cost reduction for both the material and installation time amounts to a total of 38.4 % compared to the base case, which is considered as excellent.

Table 35 Concept 4: Rated score

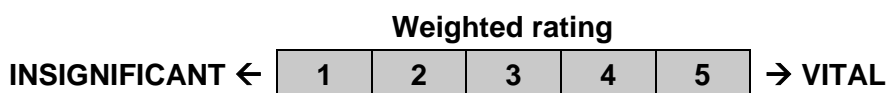
Complexity	Risk	Cost
2	3	4

5.1.5 Weighted screening

The weighted screening is a system developed for evaluating the concept applicability as a whole. By multiplying the rated score given for each screening principle with the weighted score of the principle itself, a score is given to reflect the magnitude of this. Combining the results, a total score is used to find the normalized rating, placing the concept within the defined range.



A color code will provide an indication for the assessment of the concepts accordingly to the above scale. The screening principles are weighted relatively to the impact they might have on the project based on the criteria previously discussed in section 3.1. The weighting is scaled from one to five, where one is insignificant, two is subordinate, three is important, four is essential and five is vital.



Complexity [2]

The main issues considered in relation to the complexity are the component weight inside the trunk and the feasibility related to the possible stiffeners. Even though a potential reduction of the material weight might be considered as an advantage with respect to the quality of the product, it is considered negligible in relation to the bigger picture. More severe is the issue related to the trunk stiffeners. However, the management for the marine department in thyssenkrupp clams that this issue can be resolved by conducting a transparent dialog with

the shipyard in the early phases of a project and state the areas of the trunk that should be smooth for the bracket positioning. Because of this, the complexity as a screening principle is considered to be of subordinate impact for the concept.

Risk [1]

The risk aspect related to the marine operations are initially of vital importance when considering the assessment of project that are to be executed. However, all concepts considered in this research is validated against the worst-case conditions and should therefore be regarded as safe. As a result of this, the impact of the weighted screening for risk is defined as insignificant.

Cost [5]

For the supplier the project will always be cost driven where the overall expenses can determine whether a concept is a profitable solution for an application and whether it should be recommended for a project or not. Therefore this screening criterion is weighted to have a vital impact on the assessment.

Table 36 Weighted screening for objective assessment of concepts

		TRADITIONAL WELDED	TRADITIONAL ADJUSTABLE	OPTIMIZED WELDED	OPTIMIZED ADJUSTABLE
Screening principle	Weight	Score			
Complexity	2	3	1	4	2
Risk	1	4	3	4	3
Cost	5	1	3	2	4
Min/Max score	8/32	Total score			
		15	20	22	27
Normalized score					
		29%	50%	58%	79%
		Not recommended	Not recommended	Recommended	Highly recommended

5.2 General

For land based elevators installed in normal conditions, the performance of the EGS is usually not considered to be of noteworthy importance and little attention is paid to the sizing of the components as long as they are within reason. However, for installations on ships, the elevators are exposed to the maritime conditions and the ship motion generates another specter of load cases on the EGS. The soul propose of the system is mainly to provide guidance for the vertical travel of the elevator components, but must also provide a sufficient amount of support against loads acting in the horizontal direction when installed on ships. Because of the unpredictable movements, strict requirements are established for the marine elevators, where the role of the EGS is of vital importance and defined as the main aspect for certification of an installation with regards to the structural abilities.

As a respectable supplier of ship elevators, the marine department of thyssenkrupp have been looking for opportunities to improve the operation. As a result of strong suspicions of over-engineering of the components applied for the marine EGS, an attempt to optimize the system was determined and an extensive research on the topic was initiated.

In order to fulfill the intentions, the main objective for the study was set to develop optimization methods for avoiding over-engineering, reducing both cost and weight for the main components. In doing so, proper validation of the necessary solutions was implied. Because the requirements for certification primarily concerns the guide rails in the EGS, a system was developed to conduct the conservative sizing based on the exact specifications set by the notifying body. The mathematical approach were developed according to the DNV requirement and validated by DNV representatives through the attached mail correspondence.

In a further development of the manual sizing method, an automatic sizing tool was created for the guide rails. One of the major issue with thyssenkrupp`s traditional method of sizing is related to a misinterpretation regarding the requirements for operating and stowed conditions and the method could have the potential to improve if corrected. However, instead of suggesting a solution for validation, the automatic method is constructed to return the optimal solution for a specific project using only four input specifications. Basically, this tool provides a highly efficient method for evaluating projects based on the best possible solution that is guaranteed to be approved by DNV. Since the automatic method determined the optimal solution, the calculations are based on the worst-case scenario of roll during stowed conditions only. However, the user can still access the manual sizing in the calculation tool and be free to apply whichever load case desired. Because the optimized method produce solutions validated by the DNV, there are no reason for applying the traditional methods and the assessed concepts *one* and *two* should therefore be eliminated as alternatives for future project evaluations. Since the orientation of the guide rails have proven to influence the EGS performance based on the worst-case, it is something that should be discussed with the customer at an early stage in case this could result in the application of a guide rail with a smaller dimension, reducing both cost and weight even further.

Another issue that should be addressed in the early phase of a project, is the decision on where to place the brackets within the elevator trunk and arrange with the shipyard to have them provide a smooth surface for the designated areas. In doing so, the adjustable brackets may be applied, resulting in a substantial reduction in terms of installation costs. Even though the adjustable bracket shows a vulnerability against sideways impacts directly on the system, both bracket solutions are validated against the worst-case scenario and should therefore be treated as fully applicable components. The fact that the structural analysis performed in this study indicates that the adjustable bracket is closer to the indicated limitation line, suggests a better utilization of the material compared to the welded bracket solution in terms of engineering.

The estimation of the potential savings was carried out with comparisons to concept *one* as the base case in order to make an approximate suggestion on the main differences of the various aspects regarding the EGS as an isolated system. This because there are several other aspects related to the entire elevator installation that are not considered in this research. Therefore, when assessing the concept expenditures, the potential cost reduction is the only factor of interest and *not* the actual expense. The practical example chosen for the estimation is a typical project according to the portfolio of thyssenkrupp and can therefore be used as a fairly good generalization when passing judgement on the potential project savings. The estimated cost reduction for the current potential projects combined may not provide an accurate amount, but in terms of estimation illustrates the severity of the potential scope.

In the event of conducting further research on this topic, the applications stated in DNV GL Classification of Ships could be considered for determining the ship motion on a specific vessel. Implementing this method could in some cases result in a slightly better result in relation to the guide rail sizing. However, this is a complex method which cannot be standardized to the extent of the method from DNV GL Rules for Lifts on Ships. Also, the results are seldom noteworthy improved, if any at all, and the method is not yet approved for validation of the EGS.

6. Conclusion

For elevators installed on ships, the EGS is considered the main issue for certification against structural abilities. The validation of this system is determined by the requirements set by DNV GL and the associated components should be engineered based on the empirical specifications required. Regardless of any motions caused by hydro dynamic forces for a specific vessel or the positioning of the elevator trunk within the ship, the performed evaluation method is considered quite conservative and provides a sufficient proof of validation in the format most preferred by the notifying body.

The calculation tool developed in this research provides an optimized method for sizing of the guide rails and since the method has been validated by DNV, it should immediately be implemented in the evaluation process for current and future projects. In doing so, the potential reduction in both material weight and cost is quite significant.

Structural analysis through FEM-simulations indicates that both bracket solutions revived in this research are within the limitations for the worst-case scenario and fit for use in the applications. The welded bracket solution provides a steady performance across all load cases and with a great distance from the limitation line, whereas the performance of the adjustable solution is more variable and closer to the limit, in particularly for sideways impacts directly on the system. In terms of sizing, the adjustable bracket utilizes its potential to a greater extent and when implemented in the system, the installation cost is expected to drop drastically compared to the welded bracket, on the account of reduced amount of work hours needed for the application.

The overall reduction potential of the EGS-expenses estimated for the defined concepts in this study is of substantial magnitude and illustrates the severity of the scope. The main expenditures related to EGS are considered as a result of the material cost and installation time. The potential savings are therefore based on the combination of the method for guide rail sizing conducted and the applied solution for bracket support.

The assessments carried out in this study suggests that concept *one* and *two* should *not* be recommended for future projects and it is concluded to consider the optimized concepts exclusively. The only factor separating these two concepts is the applied bracket solution, where the preferred solution requires a smooth trunk surface to be applicable. There is a large difference in potential savings for these concepts with respect to the installation cost and the supplier should always strive to achieve the implementation of the adjustable bracket solution.

It is recommended to establish a customer relationship that opens up for transparent communication and allows for dialog and discussions regarding the installation related to the elevator specifications. In doing so, it should be possible to conduct certain arrangements so that the adjustable bracket can be applied and the orientation of the guide rails set to the most appropriate position. This will make it feasible to implement the best possible solution for each individual project.

7. References

- [1] Digi Tech Elevators , "Machine room traction elevators," 2017. [Online]. Available: http://digitechelevators.com/?page_id=414.
- [2] ISO 630, *Structural steels - Plates, wide flats, bars, sections and profiles, International Standard*, 2011.
- [3] BONLY, "Elevator Guide rail," 2013. [Online]. Available: <https://www.youtube.com/watch?v=v9VYIZDluzE&t=11s>.
- [4] ISO 7465, *Passenger lifts and service lifts - Guide rails for lift cars and counterweights - T-type, International Standard*, 2007.
- [5] Monteferro, *Product and Service*, Monteferro, 2015.
- [6] DNV GL, *Rules for Certification of Lifts in Ships, Mobile Offshore Units and Offshore Installations 2008*, Det Norske Veritas GL, 2008.
- [7] Getxo Ship, "Ship`s motions at sea," 2014. [Online]. Available: <http://getxoship.blogspot.no/2014/01/shipsmotions-at-sea-vesselunder-sea-has.html>.
- [8] ISO 8383, *Lifts on Ships - Specific requirements, International Standard*, 1991.
- [9] ABS, *Guide for Certification of Lifting Appliances*, New York: American Bureau of Shipping, 2014.
- [10] LR, *Code for Lifting Appliances in a Marine Environment*, Loyds Register, 2014.
- [11] EN 81-20, *Safety rules for the construction and installation of lifts - Lifts for the transport of persons and goods - Part 20: Passenger and goods passenger lifts*, European committee for Standardization, 2011.
- [12] Sky Elevator, "Products," 2015. [Online]. Available: http://www.sky-elevator.com/index.php?sayfa=alt_urunler&dil=eng&kategori=34.
- [13] Banett, "Hurtigruten bygger fire nye skip," 2016. [Online]. Available: <http://www.banett.no/nyheter/2016/04/21/Hurtigruten-bygger-fire-nye-skip-12632008.ece>.

8. List of appendices

Appendix A: Buckling factor as a function of λ	i
Appendix B: Rated load on available area.....	iii
Appendix C: Traditional method for sizing of guide rails	v
Appendix D: Mathematical relationships in Mathcad.....	xi
Appendix E: Validation of method by mail	xxviii
Appendix F: Matrices for automatic sizing of guide rails for loads on x-x axis	xix
Appendix G: Specifications for PNO1967.....	xxxiii
Appendix H: Deflection results from FEM-simulation	xxxv
Appendix I: Tentative title and abstract for article	xlv

RULES FOR CERTIFICATION OF LIFTS

Table 2 Buckling factor ω as a function of λ for steel of 370 N/mm² grade

λ	0	1	2	3	4	5	6	7	8	9	λ
20	1.04	1.04	1.04	1.05	1.05	1.06	1.06	1.07	1.07	1.08	20
30	1.08	1.09	1.09	1.10	1.10	1.11	1.11	1.12	1.12	1.13	30
40	1.14	1.14	1.15	1.16	1.16	1.17	1.18	1.19	1.19	1.20	40
50	1.21	1.22	1.23	1.23	1.24	1.25	1.26	1.27	1.28	1.29	50
60	1.30	1.31	1.32	1.33	1.34	1.35	1.36	1.37	1.39	1.40	60
70	1.41	1.42	1.44	1.45	1.46	1.48	1.49	1.50	1.52	1.53	70
80	1.55	1.56	1.58	1.59	1.61	1.62	1.64	1.66	1.68	1.69	80
90	1.71	1.73	1.74	1.76	1.78	1.80	1.82	1.84	1.86	1.88	90
100	1.90	1.92	1.94	1.96	1.98	2.00	2.02	2.05	2.07	2.09	100
110	2.11	2.14	2.16	2.18	2.21	2.23	2.27	2.31	2.35	2.39	110
120	2.43	2.47	2.51	2.55	2.60	2.64	2.68	2.72	2.77	2.81	120
130	2.85	2.90	2.94	2.99	3.03	3.08	3.12	3.17	3.22	3.26	130
140	3.31	3.36	3.41	3.45	3.50	3.55	3.60	3.65	3.70	3.75	140
150	3.80	3.85	3.90	3.95	4.00	4.06	4.11	4.16	4.22	4.27	150
160	4.32	4.38	4.43	4.49	4.54	4.60	4.65	4.71	4.77	4.82	160
170	4.88	4.94	5.00	5.05	5.11	5.17	5.23	5.29	5.35	5.41	170
180	5.47	5.53	5.59	5.66	5.72	5.78	5.84	5.91	5.97	6.03	180
190	6.10	6.16	6.23	6.29	6.36	6.42	6.49	6.55	6.62	6.69	190
200	6.75	6.82	6.89	6.96	7.03	7.10	7.17	7.24	7.31	7.38	200
210	7.45	7.52	7.59	7.66	7.73	7.81	7.88	7.95	8.03	8.10	210
220	8.17	8.25	8.32	8.40	8.47	8.55	8.63	8.70	8.78	8.86	220
230	8.93	9.01	9.09	9.17	9.25	9.33	9.41	9.49	9.57	9.65	230
240	9.73	9.81	9.89	9.97	10.05	10.14	10.22	10.30	10.39	10.47	240
250	10.55										250

For steel qualities with intermediate strengths, determine the value of the ω by linear interpolation

Table 3 Buckling factor ω as a function of λ for steel of 520 N/mm² grade

λ	0	1	2	3	4	5	6	7	8	9	λ
20	1.06	1.06	1.07	1.07	1.08	1.08	1.09	1.09	1.10	1.11	20
30	1.11	1.12	1.12	1.13	1.14	1.15	1.15	1.16	1.17	1.18	30
40	1.19	1.19	1.20	1.21	1.22	1.23	1.24	1.25	1.26	1.27	40
50	1.28	1.30	1.31	1.32	1.33	1.35	1.36	1.37	1.39	1.40	50
60	1.41	1.43	1.44	1.46	1.48	1.49	1.51	1.53	1.54	1.56	60
70	1.58	1.60	1.62	1.64	1.66	1.68	1.70	1.72	1.74	1.77	70
80	1.79	1.81	1.83	1.86	1.88	1.91	1.93	1.95	1.98	2.01	80
90	2.05	2.10	2.14	2.19	2.24	2.29	2.33	2.38	2.43	2.48	90
100	2.53	2.58	2.64	2.69	2.74	2.79	2.85	2.90	2.95	3.01	100
110	3.06	3.12	3.18	3.23	3.29	3.35	3.41	3.47	3.53	3.59	110
120	3.65	3.71	3.77	3.83	3.89	3.96	4.02	4.09	4.15	4.22	120
130	4.28	4.35	4.41	4.48	4.55	4.62	4.69	4.75	4.82	4.89	130
140	4.96	5.04	5.11	5.18	5.25	5.33	5.40	5.47	5.55	5.62	140
150	5.70	5.78	5.85	5.93	6.01	6.09	6.16	6.24	6.32	6.40	150
160	6.48	6.57	6.65	6.73	6.81	6.90	6.98	7.06	7.15	7.23	160
170	7.32	7.41	7.49	7.58	7.67	7.76	7.85	7.94	8.03	8.12	170
180	8.21	8.30	8.39	8.48	8.58	8.67	8.76	8.86	8.95	9.05	180
190	9.14	9.24	9.34	9.44	9.53	9.63	9.73	9.83	9.93	10.03	190
200	10.13	10.23	10.34	10.44	10.54	10.65	10.75	10.85	10.96	11.06	200
210	11.17	11.28	11.38	11.49	11.60	11.71	11.82	11.93	12.04	12.15	210
220	12.26	12.37	12.48	12.60	12.71	12.82	12.94	13.05	13.17	13.28	220
230	13.40	13.52	13.63	13.75	13.87	13.99	14.11	14.23	14.35	14.47	230
240	14.59	14.71	14.83	14.95	15.08	15.20	15.33	15.45	15.58	15.71	240
250	15.83										250

For steel qualities with intermediary strengths, determine the value of ω by linear interpolation.

NOTE. Read values of λ vertically in tens and horizontally units

Example. $\lambda = 73$ $\omega = 1.45$ (table 2)

RULES FOR CERTIFICATION OF LIFTS

Table 1

<i>Rated load (mass)</i>	<i>Maximum available car area (see note)</i>	<i>Maximum number of passengers</i>	<i>Rated load (mass)</i>	<i>Maximum available car area (see note)</i>	<i>Maximum number of passengers</i>
kg	m ²		kg	m ²	
100	0.40	1	975	2.35	13
180	0,50	2	1 000	2,40	13
225	0,70	3	1 050	2,50	14
300	0,90	4	1 125	2,65	15
375	1,10	5	1 200	2,80	16
400	1.17	5	1 250	2.90	16
450	1.30	6	1 275	2.95	17
525	1.45	7	1 350	3.10	18

<i>Rated load (mass)</i>	<i>Maximum available car area (see note)</i>	<i>Maximum number of passengers</i>	<i>Rated load (mass)</i>	<i>Maximum available car area (see note)</i>	<i>Maximum number of passengers</i>
kg	m ²		kg	m ²	
600	1.60	8	1 425	3.25	19
630	1.66	8	1 500	3.40	20
675	1.75	9	1 600	3.65	21
750	1.90	10	1 800	3.88	24
800	2.00	10	2 100	4.36	28
825	2.05	11	2 500	5.00	33
900	2.20	12			



CALCULATION OF THE STRENGTH OF GUIDE RAIL

Job Name

Order Nr.

PARAMETERS

Total weight of Car	<input type="text" value="1100"/>	kg
Capacity (Rated load)	<input type="text" value="585"/>	kg
Total working weight (W_1)	<input type="text" value="1685"/>	kg
CWT weight (W_2)	<input type="text" value="1135"/>	kg
Distance to gravity center (Z_c)	<input type="text" value="25"/>	m
Distance to gravity center (Z_w)	<input type="text" value="24,2"/>	m
Rolling	<input type="text" value="22,5"/>	°
Rolling period	<input type="text" value="10"/>	s
Pitching	<input type="text" value="7,5"/>	°
Pitching period	<input type="text" value="7"/>	s
Bracket distance of Car (l_1)	<input type="text" value="150"/>	cm
Bracket distance of CWT (l_2)	<input type="text" value="150"/>	cm
Guide rail car	<input type="text" value="T 127-2/B"/>	
Guide rail CWT	<input type="text" value="T 90/B"/>	

MODIFY

CAR

Rolling

F_x	<input type="text" value="655,27"/>	kg
Max. Bending Moment	<input type="text" value="24572,62"/>	kg*cm
Stress	<input type="text" value="795,23"/>	kg/cm ² ✓
Max. Deflection	<input type="text" value="1,11"/>	mm ✓

Pitching

F_y	<input type="text" value="168,20"/>	kg
Max. Bending Moment	<input type="text" value="6307,56"/>	kg*cm
Stress	<input type="text" value="174,24"/>	kg/cm ² ✓
Max. Deflection	<input type="text" value="0,24"/>	mm ✓

COUNTER WEIGHT

Rolling

F_x	434,21	kg	
Max. Bending Moment	16282,83	kg*cm	
Stress	780,20	kg/cm ²	✓
Max. Deflection	1,43	mm	✓

Pitching

F_y	110,86	kg	
Max. Bending Moment	4157,20	kg*cm	
Stress	352,30	kg/cm ²	✓
Max. Deflection	0,70	mm	✓

1. Guide rail description

Total weight of Car	:	1100	kg
Capacity (Rated load)	:	585	kg
Total working weight (W_1)	:	1685	kg
CWT weight (W_2)	:	1135	kg

Distance from ship's metacenter to gravity center of:

1) Car in Top

Transverse	Y_c	:	
Vertical	Z_c	:	ABT. 25 m
Longitudinal	X_c	:	

2) CWT in Top

Transverse	Y_w	:	
Vertical	Z_w	:	ABT. 24,2 m
Longitudinal	X_w	:	

2. Mode of Operation

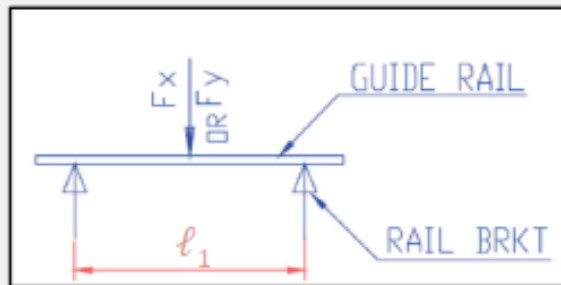
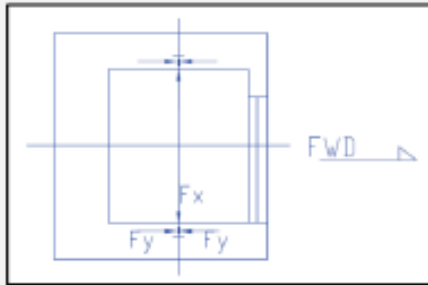
Passenger lifts, their associated machinery and structure are to be designed to operate at sea with respect to the following conditions:

- a) Rolling : $\pm 10^\circ$,with 10 second perdioid (LR,DNV,ABS,BV,GL,NK,KR)
- b) Pitching : $\pm 5^\circ$,with 10 second perdioid (DNV,ABS,BV,GL,NK,KR)
- Pitching : $\pm 7,5^\circ$,with 10 second perdioid (LR)

In addition to the operational conditions the lifts, associated machinery and structure are to be designed to withstand the forces resulting from consideration of the following conditions when in its stowed conditions:

- a) Roll : $\pm 22,5^\circ$, with 10 second period
 Pitch : $\pm 7,5^\circ$, with 7 second period

3. Calculation of car guide rail (Car)



- a) Rolling : $\pm 22,5^\circ$, with 10 second period

$$F_x = \frac{W_1}{2} \left\{ \sin\theta + \frac{1}{g} * \left(\frac{2\pi}{T} \right)^2 * \frac{\theta}{180} * \pi * Z_c \right\}$$

$$\begin{aligned} W_1 &= 1685,00 \text{ kg} \\ \theta &= 22,50^\circ \\ T &= 10,00 \text{ s} \\ Z_c &= 25,00 \text{ m} \end{aligned}$$

$$F_x = 655,27 \text{ kg}$$

- Max. Bending Moment (Mb_{max})

$$Mb_{max} = \frac{l_1}{4} * F_x$$

$$\begin{aligned} F_x &= 655,27 \text{ kg} \\ l_1 &= 150 \text{ cm} \end{aligned}$$

$$Mb_{max} = 24572,62 \text{ kg-cm}$$

- Stress (σ)

$$\sigma = \frac{Mb_{max}}{Z_x}$$

$$\begin{aligned} Mb_{max} &= 24572,62 \text{ kg-cm} \\ Z_x &= 30,90 \text{ cm}^3 \end{aligned}$$

$$\sigma = 795,23 \text{ kg/cm}^2$$

$$\sigma \leq 1840 \text{ kg/cm}^2 \rightarrow \text{OK!}$$

- Max. Deflection (δ_{max})

$$\delta_{max} = \frac{F_x * \ell_1^3}{48E * I_x}$$

$$E = 210000,0 \text{ kg/cm}^2$$

$$I_x = 198,40 \text{ cm}^4$$

$$\delta_{max} = 0,24 \text{ mm}$$

$$\delta_{max} \leq 3 \text{ mm} \rightarrow \text{OK!}$$

b) Pitching : $\pm 7,5^\circ$, with 7 second period

$$F_y = \frac{W_1}{4} \left\{ \sin\theta + \frac{1}{g} * \left(\frac{2\pi}{T} \right)^2 * \frac{\theta}{180} * \pi * Z_c \right\}$$

$$W_1 = 1685,00 \text{ kg}$$

$$\theta = 7,50^\circ$$

$$T = 7,00 \text{ s}$$

$$Z_c = 25,00 \text{ m}$$

$$F_y = 168,20 \text{ kg}$$

- Max. Bending Moment (Mb_{max})

$$Mb_{max} = \frac{\ell_1}{4} * F_y$$

$$F_y = 168,20 \text{ kg}$$

$$\ell_1 = 150,00 \text{ cm}$$

$$Mb_{max} = 6307,56 \text{ kg}\cdot\text{cm}$$

- Stress (σ)

$$\sigma = \frac{Mb_{max}}{Z_y}$$

$$Mb_{max} = 6307,56 \text{ kg}\cdot\text{cm}$$

$$Z_y = 36,20 \text{ cm}^3$$

$$\sigma = 174,24 \text{ kg/cm}^2$$

$$\sigma \leq 1840 \text{ kg/cm}^2 \rightarrow \text{OK!}$$

- Max. Deflection (δ_{max})

$$\delta_{max} = \frac{F_y * \ell_1^3}{48E * I_y}$$

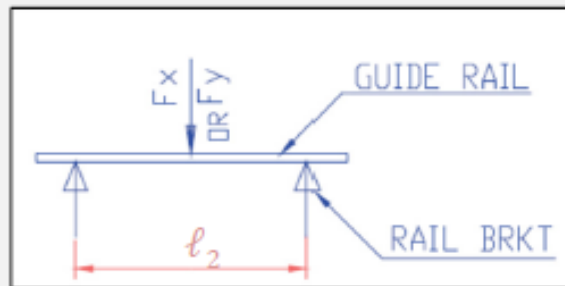
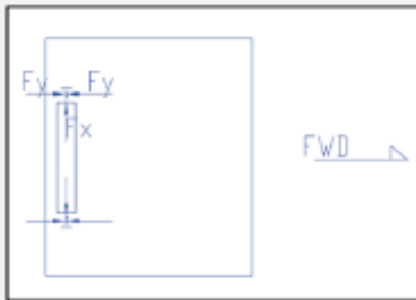
$$E = 210000,0 \text{ kg/cm}^2$$

$$I_y = 230,00 \text{ cm}^4$$

$$\delta_{max} = 0,24 \text{ mm}$$

$$\delta_{max} \leq 3 \text{ mm} \rightarrow \text{OK!}$$

4. Calculation of car guide rail (CWT)



a) Rolling : $\pm 22,5^\circ$, with 10 second period

$$F_x = \frac{W_2}{2} \left\{ \sin\theta + \frac{1}{g} * \left(\frac{2\pi}{T} \right)^2 * \frac{\theta}{180} * \pi * Z_w \right\}$$

$$\begin{aligned} W_2 &= 1135,00 \text{ kg} \\ \theta &= 22,50^\circ \\ T &= 10,00 \text{ s} \\ Z_w &= 24,20 \text{ m} \end{aligned}$$

$$F_x = 434,21 \text{ kg}$$

• Max. Bending Moment (Mb_{max})

$$Mb_{max} = \frac{\ell_2}{4} * F_x$$

$$\begin{aligned} F_x &= 434,21 \text{ kg} \\ \ell_2 &= 150,00 \text{ cm} \end{aligned}$$

$$Mb_{max} = 16282,83 \text{ kg-cm}$$

• Stress (σ)

$$\sigma = \frac{Mb_{max}}{Z_x}$$

$$\begin{aligned} Mb_{max} &= 16282,83 \text{ kg-cm} \\ Z_x &= 20,87 \text{ cm}^3 \end{aligned}$$

$$\sigma = 780,20 \text{ kg/cm}^2$$

$\sigma \leq 1840 \text{ kg/cm}^2 \rightarrow \text{OK!}$

• Max. Deflection (δ_{max})

$$\delta_{max} = \frac{F_x * \ell_2^3}{48E * I_x}$$

$$\begin{aligned} E &= 210000,0 \text{ kg/cm}^2 \\ I_x &= 102,00 \text{ cm}^4 \end{aligned}$$

$$\delta_{max} = 1,43 \text{ mm}$$

$\delta_{max} \leq 3 \text{ mm} \rightarrow \text{OK!}$

b) **Pitching** : $\pm 7,5^\circ$, with 7 second period

$$F_y = \frac{W_2}{4} \left\{ \sin\theta + \frac{1}{g} * \left(\frac{2\pi}{T} \right)^2 * \frac{\theta}{180} * \pi * Z_w \right\}$$

$$\begin{aligned} W_2 &= 1135,00 \text{ kg} \\ \theta &= 7,50^\circ \\ T &= 7,00 \text{ s} \\ Z_w &= 24,20 \text{ m} \end{aligned}$$

$$F_y = 110,86 \text{ kg}$$

- Max. Bending Moment (Mb max)

$$Mb_{max} = \frac{\ell_2}{4} * F_y$$

$$\begin{aligned} F_y &= 110,86 \text{ kg} \\ \ell_2 &= 150,00 \text{ cm} \end{aligned}$$

$$Mb_{max} = 4157,20 \text{ kg}\cdot\text{cm}$$

- Stress (σ)

$$\sigma = \frac{Mb_{max}}{Z_y}$$

$$\begin{aligned} Mb_{max} &= 4157,20 \text{ kg}\cdot\text{cm} \\ Z_y &= 11,80 \text{ cm}^3 \end{aligned}$$

$$\sigma = 352,30 \text{ kg/cm}^2$$

$$\sigma \leq 1840 \text{ kg/cm}^2 \rightarrow \text{OK!}$$

- Max. Deflection (δ max)

$$\delta_{max} = \frac{F_y * \ell_2^3}{48E * I_y}$$

$$\begin{aligned} E &= 210000,0 \text{ kg/cm}^2 \\ I_y &= 53,00 \text{ cm}^4 \end{aligned}$$

$$\delta_{max} = 0,70 \text{ mm}$$

$$\delta_{max} \leq 3 \text{ mm} \rightarrow \text{OK!}$$

*Allowable stress of guide rail

$$\sigma_a = F * \sigma$$

Where, σ_a = Allowable stress, in kg/cm²

F = Stress factor, 0.8

σ = Failure stress, in kg/cm²

$$\sigma = 1.0 \sigma_y$$

σ_y = Yield stress, 2300 kg/cm²

$$\therefore \sigma_a = 0.8 * 2300 = 1840 \text{ kg/cm}^2$$

*Allowable deflection of guide rail

$$\delta_{max} \leq 3 \text{ mm}$$

$E := 210 \text{ GPa}$	$\sigma_{\text{max}} := 180.5 \text{ MPa}$	$\delta_{\text{max}} := 3 \text{ mm}$	
$Z_{x,127} := 31.17 \text{ cm}^3$	$Z_{x,127,1} := 30.65 \text{ cm}^3$	$Z_{x,125} := 26.16 \text{ cm}^3$	$Z_{x,90} := 20.86 \text{ cm}^3$
$I_{x,127} := 201.7 \text{ cm}^4$	$I_{x,127,1} := 187.9 \text{ cm}^4$	$I_{x,125} := 151 \text{ cm}^4$	$I_{x,89} := 59.83 \text{ cm}^4$
$W_x := \frac{W_1}{2} \left((\sin(\theta_x)) + \left(\frac{1}{g} \right) \cdot \left(\frac{2 \pi}{T_x} \right)^2 \cdot \left(\frac{\theta_x}{180^\circ} \right) \cdot \pi \cdot Z_c \right)$		$a_x := \left(\frac{2 \pi}{T_x} \right)^2 \cdot \left(\frac{\theta_x}{180^\circ} \right) \cdot \pi \cdot Z_c$	$Mb_x := \frac{I_B}{4} F_x$
$\sigma_{x,127} := \frac{Mb_x}{Z_{x,127}}$	$\sigma_{x,127,1} := \frac{Mb_x}{Z_{x,127,1}}$	$\sigma_{x,125} := \frac{Mb_x}{Z_{x,125}}$	$\sigma_{x,90} := \frac{Mb_x}{Z_{x,90}}$
$SF_{\sigma x,127} := \frac{\sigma_{\text{max}}}{\sigma_{x,127}}$	$SF_{\sigma x,127,1} := \frac{\sigma_{\text{max}}}{\sigma_{x,127,1}}$	$SF_{\sigma x,125} := \frac{\sigma_{\text{max}}}{\sigma_{x,125}}$	$SF_{\sigma x,90} := \frac{\sigma_{\text{max}}}{\sigma_{x,90}}$
$\delta_{x,127} := \frac{F_x \cdot I_B^3}{48 \cdot E \cdot I_{x,127}}$	$\delta_{x,127,1} := \frac{F_x \cdot I_B^3}{48 \cdot E \cdot I_{x,127,1}}$	$\delta_{x,125} := \frac{F_x \cdot I_B^3}{48 \cdot E \cdot I_{x,125}}$	$\delta_{x,90} := \frac{F_x \cdot I_B^3}{48 \cdot E \cdot I_{x,90}}$
$SF_{\delta x,127} := \frac{\delta_{\text{max}}}{\delta_{x,127}}$	$SF_{\delta x,127,1} := \frac{\delta_{\text{max}}}{\delta_{x,127,1}}$	$SF_{\delta x,125} := \frac{\delta_{\text{max}}}{\delta_{x,125}}$	$SF_{\delta x,90} := \frac{\delta_{\text{max}}}{\delta_{x,90}}$
$Z_{y,127} := 36.2 \text{ cm}^3$	$Z_{y,127,1} := 23.61 \text{ cm}^3$	$Z_{y,125} := 25.46 \text{ cm}^3$	$Z_{y,90} := 11.66 \text{ cm}^3$
$I_{y,127} := 229.9 \text{ cm}^4$	$I_{y,127,1} := 149.9 \text{ cm}^4$	$I_{y,125} := 159.1 \text{ cm}^4$	$I_{y,89} := 52.41 \text{ cm}^4$
$W_y := \frac{W_1}{4} \left((\sin(\theta_y)) + \left(\frac{1}{g} \right) \cdot \left(\frac{2 \pi}{T_y} \right)^2 \cdot \left(\frac{\theta_y}{180^\circ} \right) \cdot \pi \cdot Z_c \right)$		$a_y := \left(\frac{2 \pi}{T_y} \right)^2 \cdot \left(\frac{\theta_y}{180^\circ} \right) \cdot \pi \cdot Z_c$	$Mb_y := \frac{I_B}{4} F_y$
$\sigma_{y,127} := \frac{Mb_y}{Z_{y,127}}$	$\sigma_{y,127,1} := \frac{Mb_y}{Z_{y,127,1}}$	$\sigma_{y,125} := \frac{Mb_y}{Z_{y,125}}$	$\sigma_{y,90} := \frac{Mb_y}{Z_{y,90}}$
$SF_{\sigma y,127} := \frac{\sigma_{\text{max}}}{\sigma_{y,127}}$	$SF_{\sigma y,127,1} := \frac{\sigma_{\text{max}}}{\sigma_{y,127,1}}$	$SF_{\sigma y,125} := \frac{\sigma_{\text{max}}}{\sigma_{y,125}}$	$SF_{\sigma y,90} := \frac{\sigma_{\text{max}}}{\sigma_{y,90}}$
$\delta_{y,127} := \frac{F_y \cdot I_B^3}{48 \cdot E \cdot I_{y,127}}$	$\delta_{y,127,1} := \frac{F_y \cdot I_B^3}{48 \cdot E \cdot I_{y,127,1}}$	$\delta_{y,125} := \frac{F_y \cdot I_B^3}{48 \cdot E \cdot I_{y,125}}$	$\delta_{y,90} := \frac{F_y \cdot I_B^3}{48 \cdot E \cdot I_{y,90}}$
$SF_{\delta y,127} := \frac{\delta_{\text{max}}}{\delta_{y,127}}$	$SF_{\delta y,127,1} := \frac{\delta_{\text{max}}}{\delta_{y,127,1}}$	$SF_{\delta y,125} := \frac{\delta_{\text{max}}}{\delta_{y,125}}$	$SF_{\delta y,90} := \frac{\delta_{\text{max}}}{\delta_{y,90}}$
			$Z_{y,70} := 7.03 \text{ cm}^3$
			$I_{y,70} := 24.62 \text{ cm}^4$
			$\sigma_{y,70} := \frac{Mb_y}{Z_{y,70}}$
			$SF_{\sigma y,70} := \frac{\sigma_{\text{max}}}{\sigma_{y,70}}$
			$\delta_{y,70} := \frac{F_y \cdot I_B^3}{48 \cdot E \cdot I_{y,70}}$
			$SF_{\delta y,70} := \frac{\delta_{\text{max}}}{\delta_{y,70}}$

7.6.2017

Gmail • Fwd: FW: Beregning av heisføring installert i skip. Thyssenkrupp Elevator



Finn Inge Røsholm <f.roesholm@gmail.com>

Fwd: FW: Beregning av heisføring installert i skip. Thyssenkrupp Elevator

Geir Marius Øie <geirmoie@gmail.com>

23. mai 2017 kl. 14:49

Til: "Bauer, Samuel" <Samuel.Bauer@thyssenkrupp.com>, "Bostrand, Geir" <Geir.Bostrand@thyssenkrupp.com>, f.roesholm@gmail.com

— Videresendt e-post —

Fra: Jensen, Harald <Harald.Jensen@dnvgl.com>

Dato: 23. mai 2017 kl. 14:40

Emne: RE: FW: Beregning av heisføring installert i skip. Thyssenkrupp Elevator

Til: Geir Marius Øie <geirmoie@gmail.com>

Calculation as described beneath will be accepted by our section.

However we also wants from customer calculations of stress in the guiding beams from forces acting in operating conditions.

Best regards

for DNV GL AS

Harald Jensen

Senior Engineer, Lifting Appliances

E-mail harald.jensen@dnvgl.com

Mobile +47 95154157 | Direct +47 67 57 81 50

www.dnvgl.com | [LinkedIn](#)



DNV and GL have merged to form DNV GL - Read more here: www.dnvgl.com/merger

[Legal requirements go here]

From: Geir Marius Øie [mailto:geirmoie@gmail.com]

Sent: 23. mai 2017 14:24

To: Jensen, Harald <Harald.Jensen@dnvgl.com>

Subject: Re: FW: Beregning av heisføring installert i skip. Thyssenkrupp Elevator

Hei, Harald.

7.6.2017

Gmail - Fwd: FW: Beregning av heisføring installert i skip. Thyssenkrupp Elevator

Gitt at thyssenkrupp Elevator følger prosedyrene og reglene som du oppgir i mailen, vil da dokumentasjonen bli godkjent?

Mvh, Geir M. Øie

3. mai 2017 kl. 10:25 skrev Jensen, Harald <Harald.Jensen@dnvgl.com>:

Jeg har så langt ikke fått tilbakemelding fra min sjef om jeg kan sette av tid til dette.

Da disse skinnneinnfestingene i praksis ikke er et kritisk punkt, regner vi ikke på disse, kunne på spenninger, utbøyninger og på knekkfare i skinnene.

Den informasjonen jeg kan komme med om den måten vi regner krefter på skinnene er som følgende:

Maksimalbevegelser er som følgende (se vår heisstandard):

- Continuous vibrations: 2 mm double amplitude of frequency 0 to 25 Hz
- Rolling: $\pm 10^\circ$, period 10 s
- Pitching: $\pm 5^\circ$, period 7 s
- Heave: Amplitude = $0.0125 L$ with 10 seconds period, L being the length of the ship as defined by the current Rules for Steel Ships.

1.4.2.2 Stowed conditions

In addition to the operational conditions the lift, associated machinery and structures are to be able to withstand the forces resulting from following conditions when the lift is stowed:

- Rolling: $\pm 22^\circ 30'$
- Pitching: $\pm 7^\circ 30'$

I praksis regner vi kun på «Stowed condition» da der er her de største belastningene oppstår. For «Stowed condition» må vi forutsette at det ikke er personer i heisstolen.

Vi forutsetter at maks «Roll» og «Pitch» ikke oppstår på samme tid.

Vi må vurdere, ut fra heisstolens og motvektens plassering i skipet om lasten opptas av en eller to «styrings-sk»

Så beregnes lasten ut fra vanlige «pendelberegninger»

Se eksempel under:

7.6.2017

Gmail - Fwd: FW: Beregning av heisføring installert i skip. Thyssenkrupp Elevator

Heis nummer: 15-8005

Avstand mellom fester $l = 1500 \cdot \text{mm}$

Nyttelast i stol $R_{\text{stol}} = 1400 \cdot \text{kg}$

Egenvekt av stol $m_{\text{stol}} = 1755 \cdot \text{kg}$

$T = 10 \cdot \text{s}$

$\theta = 22.5 \cdot \text{deg}$

$\omega = \frac{1}{T}$ $\omega = 0.1 \frac{1}{\text{s}}$

$R = 22 \cdot \text{m}$ oppgitt av leverandør:

antar svingeform:

$s_j(t) = A \cdot \cos(\omega \cdot 2 \cdot \pi \cdot t)$ $v(t) = -2 \cdot A \cdot \sin(2 \cdot \omega \cdot \pi \cdot t) \cdot \omega \cdot \pi$ ←

$a(t) = -4 \cdot A \cdot \cos(2 \cdot \omega \cdot \pi \cdot t) \cdot \omega^2 \cdot \pi^2$ ← $A = R \cdot \theta$

max kraft på skinnene for rullingen:

$P_{\text{rull}} = (A \cdot \omega^2 \cdot 4 \cdot \pi^2) \cdot m_{\text{stol}} + \sin(\theta) \cdot m_{\text{stol}} \cdot g$ $P_{\text{rull}} = 12.6 \text{ kN}$

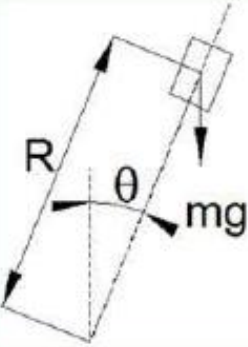
Denne kondisjonen er ikke beskrevet i reglene (perioden er ikke gitt, men det vil være naturlig å forutsette at den er større enn 10 s).

$\text{MPa} \equiv \frac{\text{newton}}{\text{mm}^2}$

$\text{kN} \equiv 1000 \cdot \text{newton}$

$E \equiv 210000 \cdot \text{MPa}$

$\text{Nm} \equiv \text{newton} \cdot \text{m}$



Vi regner på krefter både fra heis-stol og fra motvekt, Motvekt gir normalt de største lastene.

Jeg antar dette skulle være tilstrekkelig til å beregne kreftene i skinnenes innfestingspunkter.

Når det gjelder beregning av spenninger i skinnen kan jeg og nevne litt om det, selv om det sikkert er kjent stoff for deg.

Vi må vurdere, ut fra heisstolens og motvektens plassering i skipet om lasten opptas av en eller to «styrings-sko». Størst last får vi om stolen vipper «sideveis» slik at den ene skinnen må stå imot alle kreftene.

Vi sier da at 2 styrings-sko tar lasten, ellers blir det alle 4.

Vi regner på spenninger i skinnen for både heis stol og motvekt.

Da blir spenningeberegningene som vist i eksemplet under.

7.6.2017

Gmail - Fwd: FW: Beregning av heisføring installert i skip. Thyssenkrupp Elevator

Last på skinne

Antall innfestinger som tar last fra heisstol under rulling $n_j := 2$

Skinne profil: Guidens er T125B $W_{x,j} := 26.200 \cdot \text{cm}^3$ $W_{y,j} := 25.400 \cdot \text{cm}^3$

$W_T := \text{if}(n_j > 2, W_{y,j}, W_{x,j})$ $W_T := 26.2 \text{ cm}^3$

Molstandmoment profil:

merk: dette er beregning for "stowed condition" og da er vel ikke stolen full lastet.

$p_j := \frac{P_{stall}}{n_j}$ $p_j := 6286 \text{ N}$

bøyning av bjelkene: modell fritt lagret bjelke, avstand $l = 1.5 \text{ m}$

$\sigma_{s,j} := \frac{p_j \cdot l \cdot \frac{1}{4}}{W_T}$ $\sigma_{s,j} = 99 \text{ MPa}$

Når det gjelder maksimal utbøyning så har vi ingen konkrete krav i vår standard annet en at funksjonaliteten ska opprettholdes.

Vi velger imidlertid å benytte ISO8383 sine krav som en veileder – det vil si maks 3 mm.

Skinne profil:

$J_{x,j} := 159.0 \cdot \text{cm}^4$ $J_{y,j} := 151. \cdot \text{cm}^4$ $J_j := \text{if}(n_j > 2, J_{y,j}, J_{x,j})$ $J_j = (1.6 \cdot 10^6) \text{ mm}^4$

$f := \frac{p_j \cdot l^3}{E \cdot J_j \cdot 48}$ $f = 0.909 \text{ mm}$ $< 3 \text{ mm}$

Når vi har avsluttet beregninger etter laster fra «Ro» gjør vi nye beregninger etter laster fra «Pitch»

Vi regner og på vertikale laster som gir knekk i skinnen. Dette er laster som oppstår når fangapparatet evt. trer i funksjon.

Lastgen vil være avhenging av typen fang-appar.

Se eksempel under:

7.6.2017

Gmail - Fwd: FW: Beregning av heisføring installert i skip. Thyssenkrupp Elevator

If safety gear is of type Instanteous, let Sgt:20

If safety gear is of type captive roller, let Sgt:15

If safety gear is of type progressive, let Sgt:10

Sgt := 10

Weight of empty car: **$P_1 := 4400 \cdot kg$** +

Load in the car: **$Q_1 := 6500 \cdot kg$**

Load from safety gear on each guide: $F_1 = Sgt \cdot (P_1 + Q_1) \cdot \frac{N}{kg}$ **$F_1 = (1.09 \cdot 10^4) N$**

Car guide rail: T140-2/B

Cross section area: **$A = 4344 \cdot mm^2$**

Radius of gyration: **$I = 32.4 \cdot mm$**

Max dist. between brackets: **$i_k = 1800 \cdot mm$** $\lambda_1 = \frac{i_k}{I}$ **$\lambda = 55.556$**

Buckling load factor (see next page) **$\omega = 1.25$**

Calculated buckling stress: $\sigma_k = \frac{(F_1 \cdot \omega)}{A}$ **$\sigma_k = ? \frac{N}{mm^2}$**

Max. allowable buckling stress
 For Steel of 370: 140 mPa
 For Steel of 520: 210 mPa

Jeg håper ovennvente kan være til nytte. Skulle det være interesse for mer informasjon, vennligst gi beskjed.

Lykke til med oppgaven

Best regards

for DNV GL AS

Harald Jensen

Senior Engineer, Lifting Appliances

E-mail harald.jensen@dnvgl.com

Mobile +47 95154157 | Direct +47 67 57 81 50

www.dnvgl.com | [LinkedIn](#)

Flip page!

Maximum distance between brackets for loads on x-x axis

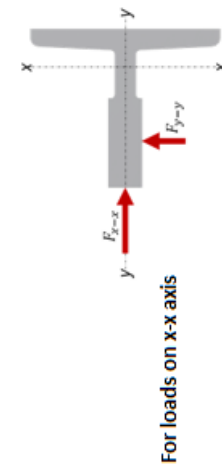
Weight W[kg]	T70-1/A - Maximum distance between brackets [mm]																			δmax	E	210000	Mpa	Ix	52,81	cm ⁴	θy	22,5 °	Ty	10 s
	8	10	12	14	16	18	20	22	24	26	28	30	32	34	36	38	40	42	44											
500	2398,6	2292,1	2249,1	2209,2	2171,9	2137,1	2104,4	2073,6	2044,5	2017	1990,9	1966,1	1942,5	1920	1898,5	1877,9	1858,2	1839,3	1821,2	1803,7	1786,9	1770,7								
600	2200,7	2157	2116,5	2078,9	2043,9	2011,1	1980,3	1951,3	1923,9	1898	1873,5	1850,2	1828	1806,8	1786,6	1767,2	1748,7	1730,9	1713,8	1697,4	1681,5	1666,3								
700	2090,5	2048,9	2010,5	1974,8	1941,5	1910,4	1881,1	1853,6	1827,6	1803	1779,7	1757,5	1736,4	1716,3	1697,1	1678,7	1661,1	1644,2	1628	1612,4	1597,3	1582,8								
800	1999,5	1959,7	1923	1888,8	1857	1827,2	1799,2	1772,9	1748	1724,5	1702,2	1681	1660,8	1641,6	1623,2	1605,6	1588,8	1572,6	1557,1	1542,2	1527,8	1513,9								
900	1922,5	1884,3	1848,9	1816,1	1785,5	1756,8	1729,9	1704,6	1680,7	1658,1	1636,7	1616,3	1596,9	1578,4	1560,7	1543,8	1527,6	1512,1	1497,1	1482,8	1469	1455,7								
1000	1856,2	1819,3	1785,1	1753,4	1723,9	1696,2	1670,2	1645,8	1622,7	1600,9	1580,2	1560,5	1541,8	1523,9	1506,8	1490,5	1474,9	1459,9	1445,5											
1100	1798,1	1762,4	1729,3	1698,6	1670	1643,2	1618	1594,3	1572	1550,8	1530,8	1511,7	1493,6	1476,2	1459,7	1443,9														
1200	1746,7	1712	1679,9	1650	1622,2	1596,2	1571,8	1548,7	1527	1506,5	1487	1468,5	1450,9	1434																
1300	1700,7	1666,9	1635,7	1606,6	1579,5	1554,2	1530,4	1508	1486,8	1466,8	1447,8																			
1400	1659,2	1626,2	1595,7	1567,4	1541	1516,2	1493	1471,2	1450,5																					
1500	1621,5	1589,3	1559,5	1531,8	1505,9	1481,8	1459,1	1437,7																						
1600	1587	1555,5	1526,3	1499,2	1473,9	1450,2																								
1700	1555,2	1524,3	1495,7	1469,2	1444,4																									
1800	1525,9	1495,6	1467,5	1441,5																										
1900	1498,6	1468,9	1441,3																											
2000	1473,2	1444																												
2100	1449,5																													
2200																														
2300																														
2400																														
2500																														
2600																														
2700																														
2800																														
2900																														
3000																														

- Max distance, l > 2900 mm
- Max distance, 2900 mm > l > 2500 mm
- Max distance, 2500 mm > l > 2000 mm
- Max distance, 2000 mm > l > 1500 mm
- Max distance, 1500 mm > l > 1000 mm
- Max distance, l < 1000 mm
- Exceeds maximum allowable stress



*Maximum allowable distance between brackets is 2900 mm

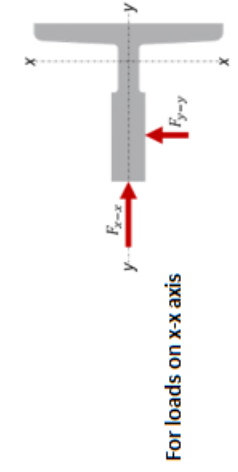
$$l_x = \sqrt[3]{\frac{\delta_{max} \cdot 48EI_{x-x}}{W \left(g \cdot \sin \theta + \left(\frac{2\pi}{T} \right)^2 \cdot \frac{\theta}{180} \pi \cdot Z \right)}}$$



T70-1/A - Resulting stress for maximum distance between brackets [MPa]																																
Weight [kg]	Height [m]																															
	8	10	12	14	16	18	20	22	24	26	30	32	34	36	38	40	42	44	46	48	50											
500	67,655	70,427	73,145	75,814	78,436	81,016	83,555	86,056	88,521	90,953	93,352	95,721	98,06	100,37	102,66	104,92	107,16	109,37	111,56	113,73	115,88	118,01										
600	76,399	79,529	82,599	85,612	88,574	91,487	94,354	97,178	99,962	102,71	105,42	108,09	110,73	113,35	115,93	118,48	121,01	123,5	125,98	128,43	130,86	133,26										
700	84,668	88,137	91,539	94,878	98,161	101,39	104,57	107,7	110,78	113,82	116,83	119,79	122,72	125,61	128,47	131,3	134,1	136,87	139,61	142,33	145,02	147,69										
800	92,55	96,342	100,06	103,71	107,3	110,83	114,3	117,72	121,1	124,42	127,7	130,94	134,14	137,31	140,43	143,53	146,59	149,62	152,61	155,58	158,52	161,44										
900	100,11	104,21	108,23	112,18	116,06	119,88	123,64	127,34	130,99	134,58	138,14	141,64	145,1	148,52	151,91	155,25	158,56	161,84	165,08	168,29	171,47	174,62										
1000	107,4	111,8	116,11	120,35	124,51	128,6	132,64	136,61	140,52	144,38	148,19	151,95	155,66	159,33	162,96	166,55	170,1	173,61	177,09	180,54	183,95	187,33										
1100	114,44	119,13	123,73	128,24	132,68	137,04	141,34	145,57	149,74	153,85	157,91	161,92	165,87	169,78	173,65	177,48	181,26	185	188,71	192,38	196,02	199,62										
1200	121,28	126,24	131,12	135,9	140,6	145,23	149,78	154,26	158,68	163,04	167,34	171,59	175,78	179,92	184,02	188,07	192,08	196,05	199,98	203,87	207,72	211,54										
1300	127,92	133,16	138,3	143,35	148,31	153,19	157,99	162,72	167,38	171,97	176,51	180,99	185,41	189,79	194,11	198,38	202,61	206,8	210,94	215,04	219,11	223,14										
1400	134,4	139,91	145,31	150,61	155,82	160,94	165,99	170,96	175,85	180,68	185,45	190,16	194,8	199,4	203,94	208,43	212,87	217,27	221,62	225,94	230,21	234,44										
1500	140,73	146,49	152,15	157,7	163,15	168,52	173,8	179	184,13	189,19	194,18	199,11	203,97	208,78	213,54	218,24	222,89	227,5	232,06	236,57	241,04	245,47										
1600	146,91	152,93	158,84	164,63	170,33	175,93	181,44	186,87	192,23	197,51	202,72	207,86	212,94	217,96	222,93	227,84	232,69	237,5	242,26	246,97	251,64	256,26										
1700	152,97	159,24	165,39	171,42	177,35	183,18	188,93	194,58	200,16	205,65	211,08	216,43	221,72	226,95	232,12	237,23	242,29	247,3	252,25	257,16	262,02	266,83										
1800	158,92	165,43	171,81	178,08	184,24	190,3	196,26	202,14	207,93	213,64	219,28	224,84	230,34	235,77	241,14	246,45	251,7	256,9	262,05	267,14	272,19	277,2										
1900	164,75	171,5	178,12	184,62	191	197,28	203,47	209,56	215,56	221,48	227,32	233,09	238,79	244,42	249,99	255,49	260,94	266,33	271,67	276,95	282,18	287,37										
2000	170,48	177,46	184,31	191,04	197,65	204,15	210,55	216,85	223,06	229,19	235,23	241,2	247,1	252,92	258,68	264,38	270,02	275,59	281,12	286,58	292	297,37										
2100	176,12	183,33	190,41	197,36	204,18	210,9	217,51	224,02	230,43	236,76	243,01	249,18	255,27	261,29	267,24	273,12	278,94	284,71	290,41	296,06	301,65	307,2										
2200	181,66	189,11	196,41	203,57	210,61	217,54	224,36	231,07	237,69	244,22	250,66	257,02	263,31	269,52	275,65	281,72	287,73	293,67	299,56	305,38	311,16	316,88										
2300	187,13	194,79	202,31	209,69	216,95	224,08	231,11	238,02	244,84	251,57	258,2	264,75	271,23	277,62	283,94	290,2	296,38	302,51	308,57	314,57	320,52	326,41										
2400	192,51	200,4	208,14	215,73	223,19	230,53	237,76	244,87	251,89	258,81	265,63	272,37	279,03	285,61	292,12	298,55	304,91	311,21	317,45	323,62	329,74	335,8										
2500	197,82	205,93	213,88	221,68	229,35	236,89	244,32	251,63	258,84	265,95	272,96	279,89	286,73	293,49	300,18	306,79	313,33	319,8	326,21	332,55	338,84	345,06										
2600	203,06	211,38	219,54	227,55	235,43	243,17	250,79	258,3	265,69	272,99	280,19	287,3	294,33	301,27	308,13	314,91	321,63	328,27	334,85	341,36	347,81	354,21										
2700	208,24	216,77	225,14	233,35	241,42	249,36	257,18	264,88	272,46	279,95	287,33	294,62	301,83	308,94	315,98	322,94	329,82	336,63	343,38	350,06	356,68	363,23										
2800	213,35	222,09	230,66	239,08	247,35	255,48	263,49	271,38	279,15	286,82	294,38	301,85	309,23	316,52	323,73	330,86	337,92	344,9	351,81	358,65	365,43	372,14										
2900	218,4	227,35	236,12	244,74	253,2	261,53	269,73	277,8	285,76	293,61	301,35	309	316,55	324,02	331,4	338,69	345,91	353,06	360,13	367,14	374,08	380,95										
3000	223,39	232,54	241,52	250,33	258,99	267,51	275,89	284,15	292,29	300,32	308,24	316,06	323,79	331,42	338,97	346,44	353,82	361,13	368,37	375,53	382,63	389,66										
										σmax	180 Mpa	E	210000 Mpa	Zx	10,79 cm³	θy	22,5 °	Ty	10 s													

Resulting stress < σmax
Resulting stress > σmax

$$\sigma_x = \frac{W \left(\theta \cdot \sin \theta + \left(\frac{\pi}{T} \right)^2 \cdot \frac{\theta}{180} \cdot \pi \cdot Z \right) l_x}{4 \cdot V_{x-x}}$$



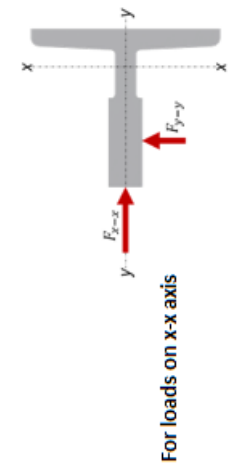
T75-3/B - Maximum distance between brackets [mm]																						
Weight [kg]	Height [m]																					
	8	10	12	14	16	18	20	22	24	26	30	32	34	36	38	40	42	44	46	48	50	
500	2138	2095,5	2056,2	2019,7	1985,6	1953,7	1923,8	1895,7	1869,1	1843,9	1820,1	1797,4	1775,8	1755,3	1735,6	1716,8	1698,8	1681,5	1664,9	1649	1633,6	1618,8
600	2011,9	1971,9	1934,9	1900,6	1868,5	1838,5	1810,4	1783,9	1758,9	1735,2	1712,8	1691,4	1671,1	1651,8	1633,3	1615,6	1598,6	1582,4	1566,8	1551,7	1537,3	1523,3
700	1911,1	1873,2	1838	1805,4	1774,9	1746,4	1719,7	1694,5	1670,8	1648,3	1627	1606,7	1587,4	1569	1551,5	1534,7	1518,6	1503,1	1488,3	1474	1460,3	1447
800	1827,9	1791,6	1758	1726,8	1697,7	1670,4	1644,8	1620,8	1598	1576,5	1556,1	1536,8	1518,3	1500,7	1483,9	1467,9	1452,5	1437,7	1423,5	1409,8	1396,7	1384
900	1757,6	1722,6	1690,3	1660,3	1632,3	1606,1	1581,5	1558,4	1536,5	1515,8	1496,2	1477,6	1459,9	1443	1426,8	1411,3	1396,5	1382,3	1368,7	1355,6		
1000	1696,9	1663,2	1632	1603	1576	1550,7	1526,9	1504,6	1483,5	1463,5	1444,6	1426,6	1409,5	1393,2	1377,6	1362,6						
1100	1643,8	1611,2	1580,9	1552,9	1526,7	1502,2	1479,2	1457,5	1437,1	1417,8	1399,4	1382	1365,4									
1200	1596,9	1565,1	1535,8	1508,5	1483	1459,2	1436,9	1415,9	1396	1377,2	1359,4											
1300	1554,8	1523,9	1495,3	1468,8	1444	1420,8	1399,1	1378,6	1359,3													
1400	1516,9	1486,7	1458,8	1432,9	1408,8	1386,2	1364,9															
1500	1482,4	1452,9	1425,7	1400,3	1376,7	1354,6																
1600	1450,8	142	1395,3	1370,5																		
1700	1421,8	1393,5	1367,4																			
1800	1395	1367,2																				
1900	1370,1																					
2000																						
2100																						
2200																						
2300																						
2400																						
2500																						
2600																						
2700																						
2800																						
2900																						
3000																						

Value

- Max distance, $l > 2900$ mm
- Max distance, $2900 \text{ mm} > l > 2500$ mm
- Max distance, $2500 \text{ mm} > l > 2000$ mm
- Max distance, $2000 \text{ mm} > l > 1500$ mm
- Max distance, $1500 \text{ mm} > l > 1000$ mm
- Max distance, $l < 1000$ mm
- Exceeds maximum allowable stress

*Maximum allowable distance between brackets is 2900 mm

$$l_x = \sqrt{\frac{W}{2} \left(\varrho \cdot \sin \theta + \left(\frac{\pi}{T} \right)^2 \cdot \frac{\theta}{180} \cdot \pi \cdot Z \right)}$$

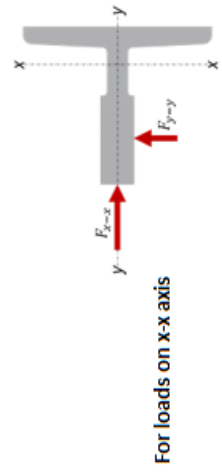


T75-3/B - Resulting stress for maximum distance between brackets [MPa]

Weight [kg]	Height [m]										omax	180 Mpa	E 210000 Mpa	Zx	9,29 cm³	θy	22,5 °	Ty	10 s			
	8	10	12	14	16	18	20	22	24	26										28	30	32
500	71,837	74,78	77,666	80,5	83,285	86,024	88,72	91,375	93,993	96,575	99,122	101,64	104,12	106,58	109	111,4	113,78	116,13	118,46	120,76	123,04	125,3
600	81,121	84,445	87,704	90,904	94,049	97,142	100,19	103,19	106,14	109,06	111,93	114,77	117,58	120,35	123,09	125,8	128,48	131,14	133,77	136,37	138,95	141,5
700	89,901	93,585	97,197	100,74	104,23	107,66	111,03	114,35	117,63	120,86	124,05	127,2	130,3	133,38	136,42	139,42	142,39	145,33	148,24	151,13	153,98	156,81
800	98,271	102,3	106,25	110,12	113,93	117,68	121,37	125	128,58	132,11	135,6	139,04	142,44	145,8	149,12	152,4	155,65	158,86	162,05	165,2	168,32	171,41
900	106,3	110,65	114,93	119,12	123,24	127,29	131,28	135,21	139,08	142,9	146,67	150,4	154,07	157,7	161,3	164,85	168,36	171,84	175,28	178,69	182,07	185,42
1000	114,03	118,71	123,29	127,79	132,21	136,55	140,83	145,05	149,2	153,3	157,35	161,34	165,28	169,18	173,03	176,84	180,61	184,34	188,04	191,7	195,32	198,91
1100	121,51	126,49	131,38	136,17	140,88	145,51	150,07	154,57	158,99	163,36	167,67	171,92	176,13	180,28	184,38	188,45	192,46	196,44	200,37	204,27	208,13	211,96
1200	128,77	134,05	139,22	144,3	149,29	154,2	159,04	163,8	168,49	173,12	177,68	182,19	186,64	191,05	195,4	199,7	203,96	208,17	212,34	216,47	220,56	224,62
1300	135,83	141,4	146,85	152,21	157,48	162,66	167,75	172,77	177,72	182,6	187,42	192,18	196,88	201,52	206,11	210,65	215,14	219,58	223,98	228,34	232,65	236,93
1400	142,71	148,56	154,29	159,92	165,45	170,89	176,25	181,52	186,72	191,85	196,91	201,91	206,85	211,72	216,55	221,31	226,03	230,7	235,32	239,9	244,44	248,93
1500	149,43	155,55	161,55	167,45	173,24	178,94	184,54	190,07	195,51	200,88	206,18	211,41	216,58	221,69	226,74	231,73	236,67	241,56	246,4	251,19	255,94	260,64
1600	156	162,39	168,66	174,81	180,86	186,8	192,66	198,42	204,11	209,72	215,25	220,71	226,1	231,44	236,71	241,92	247,08	252,18	257,23	262,24	267,19	272,1
1700	162,43	169,08	175,51	182,02	188,32	194,51	200,6	206,61	212,53	218,36	224,12	229,81	235,43	240,98	246,47	251,9	257,27	262,58	267,84	273,05	278,21	283,33
1800	168,74	175,65	182,43	189,09	195,63	202,06	208,4	214,63	220,78	226,85	232,83	238,74	244,57	250,34	256,04	261,68	267,26	272,78	278,25	283,66	289,02	294,33
1900	174,93	182,1	189,13	196,03	202,81	209,48	216,04	222,51	228,89	235,17	241,38	247,5	253,55	259,53	265,44	271,29	277,07	282,79	288,46	294,07	299,63	305,13
2000	181,02	188,43	195,71	202,85	209,86	216,77	223,56	230,25	236,85	243,35	249,77	256,11	262,37	268,56	274,67	280,72	286,71	292,63	298,49	304,3	310,05	315,75
2100	187	194,66	202,18	209,55	216,8	223,93	230,95	237,86	244,68	251,4	258,03	264,58	271,05	277,44	283,75	290	296,19	302,3	308,36	314,36	320,3	326,19
2200	192,89	200,8	208,55	216,16	223,63	230,99	238,23	245,36	252,39	259,32	266,16	272,91	279,58	286,18	292,69	299,14	305,52	311,83	318,07	324,26	330,39	336,46
2300	198,69	206,84	214,82	222,66	230,36	237,93	245,39	252,74	259,98	267,12	274,16	281,12	287,99	294,78	301,5	308,14	314,7	321,21	327,64	334,01	340,33	346,58
2400	204,41	212,79	221	229,06	236,99	244,78	252,45	260,01	267,46	274,8	282,05	289,21	296,28	303,27	310,17	317	323,76	330,45	337,07	343,63	350,12	356,56
2500	210,05	218,66	227,1	235,38	243,53	251,54	259,42	267,18	274,84	282,39	289,83	297,19	304,45	311,63	318,73	325,75	332,69	339,57	346,37	353,11	359,78	366,39
2600	215,62	224,45	233,11	241,62	249,98	258,2	266,29	274,26	282,12	289,87	297,51	305,06	312,52	319,89	327,17	334,38	341,51	348,56	355,55	362,46	369,31	376,1
2700	221,11	230,17	239,05	247,78	256,35	264,78	273,08	281,25	289,31	297,25	305,09	312,84	320,48	328,04	335,51	342,9	350,21	357,44	364,61	371,7	378,72	385,68
2800	226,54	235,82	244,92	253,86	262,64	271,28	279,78	288,15	296,41	304,55	312,58	320,51	328,35	336,09	343,74	351,31	358,8	366,22	373,55	380,82	388,02	395,15
2900	231,9	241,4	250,72	259,87	268,86	277,7	286,4	294,97	303,42	311,76	319,98	328,1	336,12	344,05	351,88	359,63	367,3	374,88	382,39	389,83	397,2	404,5
3000	237,2	246,92	256,45	265,81	275	284,04	292,95	301,71	310,36	318,88	327,29	335,6	343,8	351,91	359,92	367,85	375,69	383,45	391,14	398,74	406,28	413,75

Resulting stress < omax
 Resulting stress > omax

$$\sigma_x = \frac{W \left(g \cdot \sin \theta + \left(\frac{\pi}{T} \right)^2 \cdot \frac{\theta}{180} \cdot \pi \cdot Z \right) l_x}{4 \cdot V_{x-x}}$$



T82/B - Maximum distance between brackets [mm]

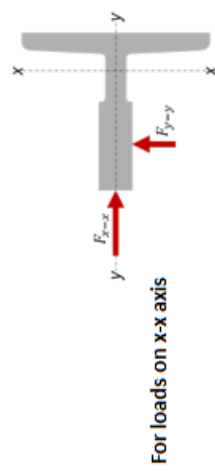
Weight [kg]	Height [m]											δmax	3 mm	E 210000 Mpa	Ix 49,4 cm ⁴	θy 22,5°	Ty 10 s					
	8	10	12	14	16	18	20	22	24	26	28							30	32	34	36	38
500	2287,2	2241,7	2199,6	2160,6	2124,2	2090,1	2058,1	2027,9	1999,5	1972,6	1947,1	1922,8	1899,8	1877,7	1856,7	1836,6	1817,3	1798,9	1781,1	1764	1747,6	1731,8
600	2152,3	2109,5	2069,9	2033,2	1998,9	1966,8	1936,7	1908,4	1881,6	1856,3	1832,3	1809,5	1787,7	1767	1747,2	1728,3	1710,2	1692,8	1676,1	1660	1644,5	1629,6
700	2044,5	2003,9	1966,3	1931,4	1898,8	1868,3	1839,7	1812,8	1787,4	1763,3	1740,5	1718,8	1698,2	1678,5	1659,7	1641,8	1624,5	1608	1592,1	1576,9	1562,2	1548
800	1955,5	1916,6	1880,7	1847,3	1816,1	1787	1759,6	1733,9	1709,5	1686,5	1664,7	1644	1624,3	1605,5	1587,5	1570,3	1553,8	1538	1522,8	1508,2	1494,2	1480,6
900	1880,2	1842,8	1808,3	1776,2	1746,2	1718,2	1691,9	1667,1	1643,7	1621,6	1600,6	1580,7	1561,7	1543,6	1526,4	1509,8	1494	1478,8	1464,2	1450,2	1436,6	1423,3
1000	1815,3	1779,2	1745,9	1714,9	1685,9	1658,9	1633,5	1609,6	1587	1565,6	1545,4	1526,2	1507,8	1490,4	1473,7	1457,7	1442,4	1427,8	1413,6	1400,0	1386,8	1374,1
1100	1758,6	1723,6	1691,3	1661,2	1633,2	1607	1582,4	1559,2	1537,4	1516,7	1497,1	1478,4	1460,7	1443,8	1427,6	1412,1	1397,1	1382,6	1368,5	1354,8	1341,4	1328,3
1200	1708,3	1674,3	1642,9	1613,7	1586,5	1561,1	1537,2	1514,7	1493,4	1473,3	1454,3	1436,2	1418,9	1402,3	1386,3	1370,7	1355,4	1340,3	1325,4	1310,7	1296,3	1282,1
1300	1663,3	1630,2	1599,7	1571,3	1544,8	1520	1496,7	1474,8	1454,1	1434,5	1415,7	1397,6	1380,1	1363,1	1346,4	1330,0	1313,8	1297,8	1282,0	1266,3	1250,8	1235,5
1400	1622,7	1590,5	1560,6	1532,9	1507,1	1482,9	1460,2	1438,8	1418,5	1399,1	1380,5	1362,6	1345,2	1328,3	1311,8	1295,6	1279,6	1263,8	1248,1	1232,5	1217,1	1201,8
1500	1585,8	1554,3	1525,1	1498,1	1472,8	1449,2	1427	1405,8	1385,4	1365,8	1346,9	1328,6	1310,8	1293,4	1276,3	1259,4	1242,6	1226,0	1209,5	1193,1	1176,8	1160,6
1600	1552,1	1521,2	1492,7	1466,2	1441,5	1417,5	1394,2	1371,6	1349,5	1327,8	1306,4	1285,3	1264,4	1243,6	1222,9	1202,3	1181,8	1161,4	1141,1	1120,8	1100,6	1080,4
1700	1521	1490,8	1462,8	1436,8	1411,6	1387,2	1363,5	1340,4	1317,8	1295,6	1273,8	1252,3	1231,0	1209,8	1188,7	1167,7	1146,7	1125,8	1104,9	1084,1	1063,3	1042,5
1800	1492,3	1462,7	1435,2	1408,7	1383,1	1358,3	1334,2	1310,7	1287,8	1265,3	1243,2	1221,4	1200,0	1178,8	1157,7	1136,6	1115,5	1094,5	1073,5	1052,5	1031,5	1010,5
1900	1465,7	1436,5	1408,7	1382,1	1356,3	1331,3	1307,0	1283,3	1260,1	1237,3	1214,8	1192,5	1170,4	1148,4	1126,4	1104,4	1082,3	1060,3	1038,3	1016,3	994,3	972,3
2000	1440,8	1412,5	1385,5	1359,7	1334,7	1310,4	1286,7	1263,5	1240,7	1218,2	1195,8	1173,5	1151,3	1129,1	1106,9	1084,7	1062,5	1040,3	1018,1	995,9	973,7	951,5
2100	1417,6	1389,9	1363,5	1338,4	1314,1	1290,4	1267,2	1244,3	1221,6	1199,0	1176,5	1154,1	1131,7	1109,3	1086,9	1064,5	1042,1	1019,7	997,3	974,9	952,5	930,1
2200	1395,1	1368,0	1342,3	1317,9	1294,3	1271,3	1248,7	1226,3	1204,0	1181,7	1159,3	1136,9	1114,5	1092,0	1069,6	1047,1	1024,7	1002,3	979,8	957,4	934,9	912,5
2300	1373,3	1346,8	1321,9	1298,3	1275,4	1253,0	1230,7	1208,4	1186,1	1163,7	1141,3	1118,9	1096,4	1074,0	1051,5	1029,0	1006,6	984,1	961,7	939,2	916,8	894,3
2400	1352,2	1326,3	1301,9	1279,3	1257,3	1235,7	1214,2	1192,7	1171,2	1149,6	1128,0	1106,4	1084,8	1063,2	1041,6	1019,9	998,3	976,7	955,1	933,5	911,9	890,3
2500	1331,7	1306,4	1282,6	1260,6	1239,2	1218,3	1197,6	1177,0	1156,3	1135,6	1114,8	1094,0	1073,2	1052,4	1031,6	1010,8	989,9	969,1	948,3	927,4	906,5	885,6
2600	1311,8	1287,1	1263,9	1242,5	1221,7	1201,3	1181,1	1161,0	1140,9	1120,7	1100,5	1080,3	1060,1	1040,0	1019,7	999,4	979,1	958,8	938,5	918,2	897,9	877,6
2700	1292,4	1268,3	1245,7	1224,9	1204,6	1184,6	1164,7	1144,8	1124,8	1104,7	1084,6	1064,4	1044,3	1024,1	1003,9	983,7	963,5	943,3	923,1	902,9	882,7	862,5
2800	1273,5	1250,0	1228,1	1207,9	1188,1	1168,5	1149,0	1129,5	1110,0	1090,4	1070,8	1051,2	1031,6	1012,0	992,4	972,7	953,1	933,5	913,9	894,3	874,7	855,1
2900	1255,1	1232,2	1210,9	1191,3	1172,1	1153,1	1134,1	1115,1	1096,0	1076,9	1057,8	1038,6	1019,4	1000,2	981,0	961,8	942,6	923,4	904,2	885,0	865,8	846,6
3000	1237,2	1214,9	1194,2	1175,3	1156,8	1138,4	1120,1	1101,7	1083,3	1064,8	1046,3	1027,8	1009,3	990,8	972,3	953,8	935,3	916,8	898,3	879,8	861,3	842,8

Value

- Max distance, l > 2900 mm
- Max distance, 2900 mm > l > 2500 mm
- Max distance, 2500 mm > l > 2000 mm
- Max distance, 2000 mm > l > 1500 mm
- Max distance, 1500 mm > l > 1000 mm
- Max distance, l < 1000 mm
- Exceeds maximum allowable stress

$$l_x = \sqrt{\frac{W}{2} \left(g \cdot \sin \theta + \left(2 \frac{\pi}{T} \right)^2 \cdot \frac{\theta}{180} \pi \cdot Z \right)} \cdot \frac{\delta_{max} \cdot 48EI_{x-x}}{\theta \cdot 180 \pi \cdot Z}$$

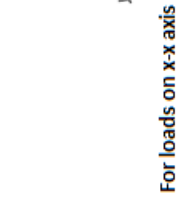
*Maximum allowable distance between brackets is 2900 mm



		T82/B - Resulting stress for maximum distance between brackets [MPa]																						
		8	10	12	14	16	18	20	22	24	26	28	30	32	34	36	38	40	42	44	46	48	50	
Weight [kg]		Height [m]																						
500	69,993	72,861	75,673	78,434	81,148	83,816	86,443	89,031	91,581	94,096	96,579	99,029	101,45	103,84	106,21	108,55	110,86	113,15	115,42	117,66	119,89	122,09		
600	79,04	82,278	85,454	88,572	91,636	94,649	97,615	100,54	103,42	106,26	109,06	111,83	114,56	117,26	119,93	122,57	125,19	127,77	130,33	132,87	135,38	137,87		
700	87,594	91,183	94,703	98,158	101,55	104,89	108,18	111,42	114,61	117,76	120,86	123,93	126,96	129,95	132,91	135,84	138,74	141,6	144,44	147,25	150,03	152,79		
800	95,75	99,673	103,52	107,3	111,01	114,66	118,25	121,79	125,28	128,72	132,12	135,47	138,78	142,05	145,29	148,49	151,65	154,79	157,89	160,96	164	167,02		
900	103,57	107,81	111,98	116,06	120,08	124,03	127,91	131,74	135,51	139,24	142,91	146,54	150,12	153,66	157,16	160,62	164,04	167,43	170,79	174,11	177,4	180,66		
1000	111,11	115,66	120,12	124,51	128,81	133,05	137,22	141,33	145,38	149,37	153,31	157,2	161,04	164,84	168,59	172,31	175,98	179,61	183,21	186,78	190,31	193,8		
1100	118,4	123,25	128	132,67	137,26	141,78	146,22	150,6	154,91	159,17	163,37	167,51	171,61	175,65	179,65	183,61	187,52	191,4	195,23	199,03	202,79	206,52		
1200	125,47	130,61	135,65	140,6	145,46	150,25	154,95	159,59	164,16	168,67	173,12	177,52	181,86	186,14	190,38	194,58	198,72	202,83	206,89	210,92	214,9	218,85		
1300	132,34	137,77	143,08	148,31	153,44	158,48	163,45	168,34	173,16	177,92	182,61	187,25	191,82	196,35	200,82	205,24	209,62	213,95	218,23	222,48	226,68	230,85		
1400	139,05	144,74	150,33	155,82	161,21	166,51	171,73	176,87	181,93	186,93	191,86	196,73	201,54	206,29	210,99	215,63	220,23	224,78	229,28	233,74	238,16	242,54		
1500	145,59	151,56	157,41	163,15	168,79	174,35	179,81	185,19	190,5	195,73	200,89	205,99	211,02	216	220,92	225,78	230,6	235,36	240,08	244,75	249,37	253,96		
1600	151,99	158,22	164,33	170,32	176,22	182,01	187,71	193,33	198,87	204,33	209,72	215,05	220,3	225,5	230,63	235,71	240,74	245,71	250,63	255,51	260,34	265,12		
1700	158,26	164,75	171,11	177,35	183,48	189,52	195,46	201,31	207,07	212,76	218,37	223,91	229,39	234,8	240,14	245,43	250,67	255,84	260,97	266,05	271,07	276,06		
1800	164,41	171,14	177,75	184,24	190,61	196,88	203,05	209,13	215,12	221,02	226,86	232,61	238,3	243,92	249,47	254,97	260,4	265,78	271,11	276,38	281,6	286,78		
1900	170,44	177,43	184,27	191	197,61	204,1	210,5	216,8	223,01	229,14	235,18	241,15	247,04	252,87	258,63	264,32	269,96	275,54	281,06	286,52	291,94	297,3		
2000	176,37	183,6	190,69	197,64	204,48	211,2	217,82	224,34	230,77	237,11	243,36	249,54	255,64	261,67	267,63	273,52	279,35	285,12	290,83	296,49	302,09	307,65		
2100	182,2	189,67	196,99	204,18	211,24	218,19	225,02	231,76	238,4	244,95	251,41	257,79	264,09	270,32	276,47	282,56	288,59	294,55	300,45	306,29	312,08	317,82		
2200	187,94	195,64	203,19	210,61	217,89	225,06	232,11	239,06	245,91	252,66	259,33	265,91	272,41	278,83	285,18	291,46	297,68	303,82	309,91	315,94	321,91	327,83		
2300	193,6	201,53	209,31	216,94	224,45	231,83	239,09	246,25	253,31	260,26	267,13	273,91	280,6	287,22	293,76	300,23	306,63	312,96	319,23	325,44	331,59	337,69		
2400	199,17	207,33	215,33	223,19	230,91	238,5	245,98	253,34	260,6	267,75	274,82	281,79	288,68	295,48	302,21	308,87	315,45	321,97	328,42	334,81	341,14	347,41		
2500	204,66	213,05	221,27	229,34	237,28	245,08	252,76	260,33	267,78	275,14	282,4	289,56	296,64	303,64	310,55	317,39	324,16	330,85	337,48	344,05	350,55	356,99		
2600	210,08	218,69	227,13	235,42	243,56	251,57	259,46	267,22	274,88	282,43	289,88	297,23	304,5	311,68	318,78	325,8	332,74	339,62	346,42	353,16	359,84	366,45		
2700	215,44	224,26	232,92	241,42	249,77	257,98	266,07	274,03	281,88	289,62	297,26	304,81	312,26	319,62	326,9	334,1	341,22	348,27	355,25	362,16	369	375,79		
2800	220,72	229,77	238,64	247,34	255,9	264,31	272,6	280,76	288,8	296,73	304,56	312,29	319,92	327,47	334,92	342,3	349,6	356,82	363,97	371,05	378,06	385,01		
2900	225,95	235,21	244,28	253,2	261,96	270,57	279,05	287,4	295,64	303,76	311,77	319,68	327,49	335,22	342,85	350,4	357,87	365,26	372,58	379,83	387,01	394,12		
3000	231,11	240,58	249,87	258,98	267,94	276,76	285,43	293,97	302,39	310,7	318,9	326,99	334,98	342,88	350,69	358,41	366,05	373,61	381,1	388,51	395,85	403,13		
		omax		180 Mpa		E		210000 Mpa		Zx		10,2 cm ³		θy		22,5 °		Ty		10 s				

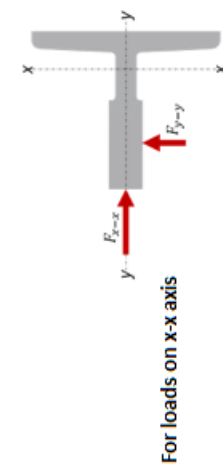
Resulting stress < omax
Resulting stress > omax

$$\sigma_x = \frac{W \left(g \cdot \sin \theta + \left(\frac{2\pi}{T} \right)^2 \cdot \frac{\theta}{180} \cdot \pi \cdot Z \right) l_x}{4 \cdot V_{x-x}}$$



T89/B - Maximum distance between brackets [mm]

Weight [kg]	Height [m]										δmax	3 mm	E 210000 Mpa	Ix 59,83 cm ⁴	θy 22,5 °	Ty 10 s						
	8	10	12	14	16	18	20	22	24	26							28	30	32	34	36	38
500	2438	2399,5	2344,7	2303	2264,2	2227,9	2193,8	2161,6	2131,3	2102,7	2075,5	2049,6	2025	2001,6	1979,1	1957,7	1937,2	1917,5	1898,5	1880,3	1862,8	1845,9
600	2294,2	2248,6	2206,4	2167,2	2130,7	2096,5	2064,4	2034,2	2005,7	1978,7	1953,1	1928,8	1905,6	1883,5	1862,4	1842,3	1822,9	1804,4	1786,6	1769,5	1753	1737,1
700	2179,3	2136	2095,9	2058,7	2024	1991,5	1961	1932,3	1905,2	1879,6	1855,3	1832,2	1810,2	1789,2	1769,2	1750	1731,6	1714	1697,1	1680,8	1665,2	1650,1
800	2084,4	2043	2004,7	1969,1	1935,9	1904,8	1875,6	1848,2	1822,3	1797,7	1774,5	1752,4	1731,4	1711,3	1692,1	1673,8	1656,3	1639,4	1623,2	1607,7	1592,7	1578,3
900	2004,2	1964,3	1927,5	1893,3	1861,3	1831,5	1803,4	1777	1752,1	1728,5	1706,2	1684,9	1664,7	1645,4	1627	1609,4	1592,5	1576,3	1560,7	1545,8	1531,4	1517,5
1000	1935	1896,5	1861	1827,9	1797,1	1768,3	1741,2	1715,7	1691,6	1668,9	1647,3	1626,8	1607,3	1588,6	1570,9	1553,8	1537,5	1521,9	1506,9	1492,4	1478,5	1465,1
1100	1874,5	1837,2	1802,8	1770,8	1740,9	1713	1686,7	1662,1	1638,7	1616,7	1595,8	1575,9	1557	1539	1521,7	1505,2	1489,5	1474,3	1459,8	1445,8	1432,3	1419,3
1200	1820,9	1784,7	1751,2	1720,1	1691,1	1664	1638,5	1614,5	1591,9	1570,5	1550,2	1530,9	1512,5	1495	1478,2	1462,2	1446,9	1432,2	1418	1404,4	1391,3	1378,7
1300	1773	1737,7	1705,1	1674,9	1646,6	1620,2	1595,4	1572	1550	1529,1	1509,4	1490,6	1472,7	1455,6	1439,3	1423,7	1408,8	1394,5	1380,7	1367,5	1354,7	1342,4
1400	1729,7	1695,3	1663,5	1634	1606,4	1580,7	1556,5	1533,7	1512,2	1491,8	1472,5	1454,2	1436,7	1420,1	1404,2	1389	1374,4	1360,4	1347	1334,1	1321,6	1309,4
1500	1690,4	1656,8	1625,7	1596,8	1569,9	1544,7	1521,1	1498,8	1477,8	1457,9	1439	1421,1	1404,1	1387,8	1372,3	1357,4	1343,2	1329,5	1316,2	1303,3	1290,7	1278,4
1600	1654,4	1621,5	1591,1	1562,9	1536,5	1511,8	1488,7	1466,9	1446,3	1426,9	1408,4	1390,9	1374,2	1358,3	1343,1	1328,5	1314,6	1301,3	1288,5	1276	1263,7	1251,7
1700	1621,3	1589,1	1559,3	1531,6	1505,8	1481,6	1458,9	1437,6	1417,4	1398,3	1380,2	1363,1	1346,7	1331,1	1316,3	1302,1	1288,5	1275,5	1263,1	1251,2	1239,6	1228,3
1800	1590,7	1559,1	1529,9	1502,7	1477,3	1453,6	1431,4	1410,4	1390,7	1371,9	1354,2	1337,3	1321,3	1306,1	1291,7	1278,1	1265,1	1252,7	1240,8	1229,4	1218,4	1207,7
1900	1562,3	1531,2	1502,5	1475,8	1451	1427,7	1405,8	1385,2	1365,8	1347,4	1330	1313,5	1297,9	1283,1	1269,1	1255,8	1243,2	1231,2	1219,7	1208,7	1198,1	1187,8
2000	1535,8	1505,3	1477,1	1450,8	1426,4	1403,5	1382	1361,8	1342,7	1324,6	1307,3	1290,8	1275,1	1260,2	1246,1	1232,7	1219,9	1207,7	1196,1	1185,1	1174,5	1164,2
2100	1511	1481	1453,2	1427,4	1403,4	1380,8	1359,7	1339,8	1320,7	1302,5	1285,1	1268,4	1252,5	1237,3	1222,8	1209,1	1196,1	1183,7	1171,9	1160,7	1150,1	1140,0
2200	1487,8	1458,2	1430,9	1405,5	1381,8	1359,6	1338,8	1319,2	1300,7	1283,2	1266,5	1250,7	1235,7	1221,4	1207,7	1194,6	1182,1	1170,2	1158,8	1147,9	1137,5	1127,5
2300	1465,9	1436,8	1409,8	1384,8	1361,4	1339,6	1318,4	1298,5	1279,7	1261,9	1245,1	1229,1	1214	1199,6	1185,9	1172,8	1160,3	1148,4	1137,1	1126,3	1116,0	1106,1
2400	1445,3	1416,5	1390	1365,3	1342,3	1320,3	1299,2	1279,1	1260,1	1242,1	1225,1	1209,1	1194	1179,6	1165,9	1152,8	1140,3	1128,4	1117,1	1106,3	1096,0	1086,1
2500	1425,7	1397,4	1371,2	1346,8	1324,1	1302,2	1281,1	1261,1	1242,1	1224,1	1207,1	1191,1	1176,1	1161,1	1147,1	1133,1	1120,1	1108,1	1097,1	1087,1	1077,1	1067,1
2600	1407,2	1379,2	1353,4	1329,3	1306,6	1284,6	1263,4	1243,2	1224,1	1206,1	1189,1	1173,1	1158,1	1143,1	1129,1	1115,1	1102,1	1090,1	1079,1	1069,1	1060,1	1051,1
2700	1389,6	1362	1336,4	1313,2	1291,4	1270,4	1250,2	1231,1	1213,1	1196,1	1180,1	1165,1	1150,1	1136,1	1122,1	1109,1	1097,1	1086,1	1076,1	1067,1	1058,1	1050,1
2800	1372,9	1345,6	1319,9	1297,6	1276,6	1256,6	1237,6	1219,6	1202,6	1186,6	1171,6	1157,6	1144,6	1131,6	1119,6	1108,6	1098,6	1089,6	1081,6	1073,6	1066,6	1059,6
2900	1356,9	1329,9	1304,2	1282,8	1262,8	1243,8	1225,8	1208,8	1192,8	1177,8	1163,8	1150,8	1138,8	1127,8	1117,8	1108,8	1099,8	1091,8	1084,8	1077,8	1071,8	1065,8
3000	1341,7	1314,7	1289,1	1267,7	1248,7	1230,7	1213,7	1197,7	1182,7	1168,7	1155,7	1143,7	1132,7	1122,7	1113,7	1105,7	1097,7	1090,7	1084,7	1078,7	1073,7	1068,7



$$l_x = \sqrt{\frac{\delta_{max} \cdot 48EI_{x-x}}{W \left(g \cdot \sin \theta + \left(\frac{2\pi}{T} \right)^2 \cdot \frac{\theta}{180} \cdot \pi \cdot Z \right)}}$$

Value

Max distance, l > 2900 mm
 Max distance, 2900 mm > l > 2500 mm
 Max distance, 2500 mm > l > 2000 mm
 Max distance, 2000 mm > l > 1500 mm
 Max distance, 1500 mm > l > 1000 mm
 Max distance, l < 1000 mm
 Exceeds maximum allowable stress

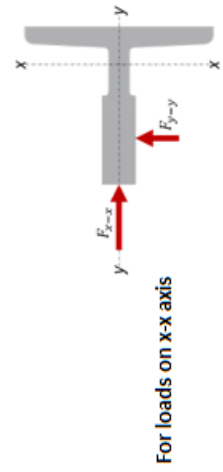
T89/B - Resulting stress for maximum distance between brackets [MPa]

Weight [kg]	Height [m]										omax	180 Mpa	E 210000 Mpa	Zx 14,35 cm³	θy 22,5 °	Ty 10 s						
	8	10	12	14	16	18	20	22	24	26							28	30	32	34	36	38
500	53,032	55,205	57,335	59,427	61,483	63,505	65,495	67,456	69,388	71,294	73,174	75,031	76,865	78,678	80,47	82,242	83,995	85,73	87,448	89,149	90,834	92,503
600	59,886	62,339	64,746	67,108	69,429	71,713	73,96	76,174	78,356	80,508	82,632	84,729	86,8	88,846	90,87	92,871	94,851	96,81	98,75	100,67	102,57	104,46
700	66,367	69,087	71,753	74,371	76,944	79,474	81,965	84,418	86,837	89,222	91,575	93,899	96,194	98,463	100,71	102,92	105,12	107,29	109,44	111,57	113,68	115,76
800	72,546	75,519	78,434	81,295	84,108	86,874	89,596	92,278	94,921	97,529	100,1	102,64	105,15	107,63	110,08	112,51	114,9	117,28	119,63	121,95	124,26	126,54
900	78,473	81,688	84,841	87,936	90,978	93,97	96,915	99,816	102,68	105,5	108,28	111,03	113,74	116,42	119,07	121,7	124,29	126,86	129,4	131,92	134,41	136,88
1000	84,183	87,632	91,014	94,335	97,598	100,81	103,97	107,08	110,15	113,17	116,16	119,1	122,02	124,89	127,74	130,55	133,33	136,09	138,81	141,51	144,19	146,84
1100	89,705	93,381	96,985	100,52	104	107,42	110,79	114,1	117,37	120,6	123,78	126,92	130,02	133,09	136,12	139,12	142,08	145,02	147,92	150,8	153,65	156,47
1200	95,063	98,958	102,78	106,53	110,21	113,84	117,4	120,92	124,38	127,8	131,17	134,5	137,79	141,03	144,25	147,42	150,57	153,68	156,76	159,8	162,83	165,82
1300	100,27	104,38	108,41	112,37	116,25	120,08	123,84	127,55	131,2	134,8	138,36	141,87	145,34	148,77	152,15	155,5	158,82	162,1	165,35	168,56	171,75	174,91
1400	105,35	109,67	113,9	118,06	122,14	126,16	130,11	134,01	137,84	141,63	145,37	149,06	152,7	156,3	159,86	163,38	166,86	170,31	173,72	177,1	180,45	183,76
1500	110,31	114,83	119,26	123,61	127,89	132,1	136,24	140,31	144,33	148,3	152,21	156,07	159,89	163,66	167,38	171,07	174,72	178,33	181,9	185,44	188,94	192,41
1600	115,16	119,88	124,51	129,05	133,51	137,9	142,23	146,48	150,68	154,82	158,9	162,93	166,92	170,85	174,74	178,59	182,4	186,17	189,9	193,59	197,25	200,87
1700	119,91	124,82	129,64	134,37	139,02	143,59	148,09	152,52	156,89	161,2	165,45	169,65	173,8	177,9	181,95	185,96	189,92	193,84	197,73	201,57	205,38	209,16
1800	124,57	129,67	134,68	139,59	144,42	149,17	153,84	158,45	162,99	167,46	171,88	176,24	180,55	184,81	189,02	193,18	197,3	201,37	205,41	209,4	213,36	217,28
1900	129,14	134,43	139,62	144,71	149,72	154,64	159,49	164,26	168,97	173,61	178,19	182,71	187,18	191,59	195,95	200,27	204,54	208,76	212,95	217,09	221,19	225,26
2000	133,63	139,11	144,48	149,75	154,93	160,02	165,04	169,98	174,85	179,65	184,39	189,07	193,69	198,26	202,77	207,24	211,65	216,03	220,35	224,64	228,89	233,09
2100	138,05	143,71	149,25	154,7	160,05	165,31	170,49	175,6	180,63	185,59	190,48	195,32	200,09	204,81	209,47	214,09	218,65	223,17	227,64	232,07	236,45	240,8
2200	142,4	148,23	153,95	159,57	165,09	170,52	175,86	181,13	186,32	191,43	196,48	201,47	206,4	211,26	216,07	220,83	225,54	230,2	234,81	239,38	243,9	248,38
2300	146,68	152,69	158,58	164,37	170,06	175,65	181,15	186,58	191,92	197,19	202,39	207,53	212,6	217,62	222,57	227,47	232,32	237,12	241,87	246,58	251,24	255,86
2400	150,9	157,09	163,15	169,1	174,95	180,7	186,37	191,95	197,44	202,87	208,22	213,5	218,72	223,88	228,98	234,02	239,01	243,95	248,83	253,67	258,47	263,22
2500	155,07	161,42	167,65	173,77	179,78	185,69	191,51	197,24	202,89	208,46	213,96	219,39	224,76	230,06	235,29	240,48	245,6	250,68	255,7	260,67	265,6	270,48
2600	159,17	165,7	172,09	178,37	184,54	190,61	196,58	202,47	208,27	213,99	219,63	225,2	230,71	236,15	241,53	246,85	252,11	257,32	262,47	267,58	272,64	277,65
2700	163,23	169,92	176,48	182,91	189,24	195,47	201,59	207,63	213,57	219,44	225,23	230,94	236,59	242,17	247,68	253,14	258,53	263,87	269,16	274,4	279,58	284,72
2800	167,24	174,09	180,81	187,4	193,89	200,26	206,54	212,72	218,81	224,82	230,76	236,61	242,39	248,11	253,76	259,35	264,88	270,35	275,77	281,13	286,44	291,71
2900	171,19	178,21	185,09	191,84	198,48	205	211,43	217,76	223,99	230,15	236,22	242,21	248,13	253,98	259,77	265,49	271,15	276,75	282,29	287,78	293,22	298,61
3000	175,11	182,28	189,32	196,22	203,01	209,69	216,26	222,73	229,11	235,41	241,62	247,75	253,8	259,79	265,71	271,56	277,35	283,07	288,75	294,36	299,93	305,44

Resulting stress < omax
Resulting stress > omax



$$\sigma_x = \frac{W \left(g \cdot \sin \theta + \left(\frac{2\pi}{T} \right)^2 \cdot \frac{\theta}{180} \pi \cdot Z \right) l_x}{4 \cdot V_{x-x}}$$



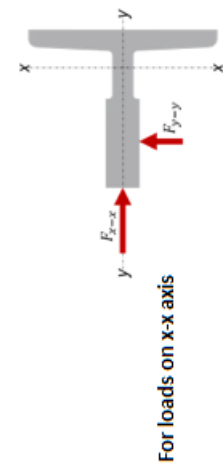
Weight [kg]		T114/B - Maximum distance between brackets [mm]																				
		8	10	12	14	16	18	20	22	24	26	30	32	34	36	38	40	42	44	46	48	50
500	3514,9	3445	3380,4	3320,4	3264,4	3212	3162,8	3116,5	3072,8	3031,5	2992,3	2955	2919,6	2885,7	2853,4	2822,5	2792,9	2764,5	2737,2	2711	2685,7	2661,4
600	3307,7	3241,9	3181,1	3124,6	3071,9	3022,6	2976,3	2932,8	2891,6	2852,7	2815,8	2780,8	2747,4	2715,6	2685,2	2656,1	2628,2	2601,5	2575,8	2551,1	2527,3	2504,4
700	3142	3079,5	3021,8	2968,1	2918,1	2871,2	2827,3	2785,9	2746,8	2709,9	2674,8	2641,5	2609,8	2579,6	2550,7	2523	2496,6	2471,2	2446,8	2423,3	2400,8	2379
800	3005,2	2945,5	2890,2	2838,9	2791	2746,2	2704,2	2664,6	2627,2	2591,9	2558,4	2526,5	2496,2	2467,3	2439,6	2413,2	2387,9	2363,6	2340,3	2317,8	2296,2	2275,4
900	2889,5	2832,1	2778,9	2729,6	2683,6	2640,5	2600,1	2562	2526,1	2492,1	2459,9	2429,2	2400,1	2372,3	2345,7	2320,3	2296	2272,6	2250,2	2228,6	2207,8	2187,8
1000	2789,8	2734,3	2683	2635,4	2591	2549,4	2510,3	2473,6	2438,9	2406,1	2375	2345,4	2317,2	2290,4	2264,8	2240,2	2216,7	2194,2	2172,5	2151,7	2131,6	2112,3
1100	2702,5	2648,8	2599,1	2553	2509,9	2469,7	2431,8	2396,2	2362,6	2330,9	2300,7	2272,1	2244,8	2218,8	2193,9	2170,2	2147,4	2125,6	2104,6	2084,4	2065	2046,3
1200	2625,3	2573,1	2524,8	2480	2438,2	2399,1	2362,3	2327,7	2295,1	2264,2	2234,9	2207,1	2180,6	2155,4	2131,2	2108,1	2086	2064,8	2044,4	2024,8	2006	1987,8
1300	2556,2	2505,4	2458,4	2414,7	2374	2335,9	2300,1	2266,5	2234,7	2204,6	2176,1	2149	2123,2	2098,6	2075,1	2052,6	2031,1	2010,4	1990,6	1971,5	1953,1	1935,4
1400	2493,8	2444,2	2398,4	2355,8	2316,1	2278,9	2244	2211,2	2180,2	2150,8	2123	2096,6	2071,4	2047,4	2024,5	2002,5	1981,5	1961,4	1942	1923,4	1905,5	1888,2
1500	2437,1	2387,7	2343,9	2302,2	2263,4	2227,1	2193	2160,9	2130,6	2101,9	2074,7	2048,9	2024,3	2000,9	1978,4	1957	1936,5	1916,8	1897,9	1879,7	1862,2	1845,3
1600	2385,2	2337,8	2294	2253,2	2215,2	2179,7	2146,3	2114,9	2085,2	2057,2	2030,6	2005,3	1981,2	1958,3	1936,3	1915,4	1895,3	1876	1857,5	1839,7	1822,5	1806
1700	2337,5	2291,1	2248,1	2208,2	2170,9	2136,1	2103,4	2072,6	2043,5	2016	1989,9	1965,2	1941,6	1919,1	1897,6	1877	1857,4	1838,5	1820,3	1802,9	1786,1	1769,9
1800	2293,4	2247,8	2205,6	2166,5	2130	2095,8	2063,7	2033,5	2005	1978	1952,4	1928,1	1904,9	1882,9	1861,8	1841,6	1822,3	1803,8	1786	1768,8	1752,4	1736,5
1900	2252,4	2207,7	2166,3	2127,8	2091,9	2058,3	2026,8	1997,2	1969,1	1942,6	1917,5	1893,6	1870,9	1849,2	1828,5	1808,7	1789,8	1771,6	1754,1	1737,3	1721,1	1705,5
2000	2214,3	2170,2	2129,5	2091,7	2056,4	2023,4	1992,5	1963,3	1935,8	1909,7	1885	1861,5	1839,2	1817,9	1797,5	1778,1	1759,4	1741,5	1724,3	1707,8	1691,9	1676,5
2100	2178,5	2135,2	2095,2	2058	2023,3	1990,8	1960,3	1931,6	1904,5	1878,9	1854,6	1831,5	1809,5	1788,6	1768,5	1749,4	1731	1713,4	1696,5	1680,2	1664,6	1649,5
2200	2145	2102,4	2062,9	2026,3	1992,1	1960,2	1930,2	1901,9	1875,2	1850	1826,1	1803,3	1781,7	1761	1741,3	1722,5	1704,4	1687,1	1670,4	1654,4	1639	1624,1
2300	2113,5	2071,5	2032,6	1996,5	1962,8	1931,3	1901,8	1873,9	1847,7	1822,8	1799,2	1776,8	1755,5	1735,1	1715,7	1697,1	1679,3	1662,2	1645,8	1630,1	1614,9	1600,2
2400	2083,7	2042,3	2004	1968,4	1935,2	1904,1	1875	1847,5	1821,6	1797,1	1773,9	1751,8	1730,8	1710,7	1691,6	1673,2	1655,7	1638,8	1622,7	1607,1	1592,1	1577,4
2500	2055,5	2014,7	1976,9	1941,8	1909	1878,4	1849,6	1822,6	1797	1772,8	1749,9	1728,1	1707,4	1687,6	1668,7	1650,6	1633,3	1616,7	1600,7	1585,2	1570,1	1555,3
2600	2028,8	1988,5	1951,2	1916,6	1884,2	1854	1825,6	1798,9	1773,7	1749,8	1727,2	1705,7	1685,2	1665,7	1647	1629,2	1612,1	1595,7	1579,8	1564,4	1549,4	1534,7
2700	2003,5	1963,6	1926,8	1892,6	1860,7	1830,8	1802,8	1776,4	1751,5	1727,9	1705,6	1684,3	1664,1	1644,8	1626,4	1608,8	1591,9	1575,6	1559,7	1544,3	1529,3	1514,6
2800	1979,3	1940	1903,6	1869,8	1838,3	1808,8	1781,1	1755	1730,4	1707,1	1685	1664	1644,1	1625	1606,8	1589,1	1571,9	1555,2	1538,9	1523,1	1507,7	1492,6
2900	1956,3	1917,4	1881,5	1848	1816,9	1787,7	1760,4	1734,6	1710,3	1687,3	1665,4	1644,7	1625	1606,1	1588,1	1570,5	1553,3	1536,5	1520,1	1504,1	1488,4	1473,1
3000	1934,3	1895,9	1860,3	1827,3	1796,5	1767,6	1740,6	1715,1	1691	1668,3	1646,7	1626,2	1606,7	1588,3	1570,3	1552,6	1535,3	1518,4	1501,9	1485,7	1470,0	1454,6

Value

- Max distance, $l > 2900$ mm
- Max distance, $2900 \text{ mm} > l > 2500$ mm
- Max distance, $2500 \text{ mm} > l > 2000$ mm
- Max distance, $2000 \text{ mm} > l > 1500$ mm
- Max distance, $1500 \text{ mm} > l > 1000$ mm
- Max distance, $l < 1000$ mm
- Exceeds maximum allowable stress

$$l_x = \sqrt{\frac{W}{2} \left(g \cdot \sin \theta + \left(\frac{2\pi}{T} \right)^2 \cdot \frac{\theta}{180} \pi \cdot Z \right)}$$

*Maximum allowable distance between brackets is 2900 mm



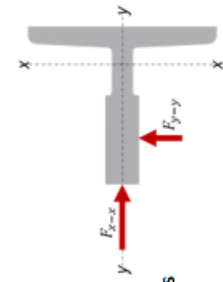
T114/B - Resulting stress for maximum distance between brackets [MPa]

Weight [kg]	Height [m]															omax	180 Mpa	E 210000 Mpa	Zx 29,74 cm³	θy 22,5 °	Ty 10 s	
	8	10	12	14	16	18	20	22	24	26	28	30	32	34	36							38
500	36,892	38,404	39,886	41,341	42,771	44,178	45,563	46,926	48,271	49,596	50,905	52,196	53,472	54,733	55,98	57,212	58,432	59,639	60,834	62,017	63,19	64,351
600	41,66	43,367	45,041	46,684	48,299	49,888	51,451	52,991	54,509	56,006	57,484	58,942	60,383	61,807	63,215	64,607	65,984	67,347	68,697	70,033	71,356	72,668
700	46,169	48,061	49,916	51,737	53,527	55,287	57,02	58,727	60,409	62,068	63,705	65,322	66,919	68,497	70,057	71,599	73,126	74,636	76,132	77,613	79,08	80,533
800	50,468	52,535	54,563	56,554	58,51	60,435	62,329	64,194	66,033	67,847	69,637	71,404	73,149	74,874	76,579	78,266	79,934	81,585	83,22	84,839	86,442	88,031
900	54,59	56,827	59,02	61,174	63,29	65,371	67,42	69,438	71,427	73,389	75,325	77,236	79,124	80,99	82,835	84,659	86,464	88,25	90,018	91,769	93,503	95,222
1000	58,563	60,962	63,315	65,625	67,895	70,128	72,326	74,491	76,625	78,729	80,806	82,857	84,882	86,884	88,862	90,819	92,755	94,671	96,568	98,447	100,31	102,15
1100	62,404	64,961	67,469	69,93	72,349	74,729	77,071	79,378	81,652	83,894	86,107	88,292	90,45	92,583	94,692	96,777	98,84	100,88	102,9	104,9	106,89	108,85
1200	66,131	68,841	71,498	74,107	76,67	79,192	81,674	84,118	86,528	88,905	91,25	93,565	95,852	98,113	100,35	102,56	104,74	106,91	109,05	111,17	113,27	115,35
1300	69,756	72,614	75,417	78,169	80,873	83,532	86,15	88,729	91,271	93,778	96,251	98,694	101,11	103,49	105,85	108,18	110,48	112,77	115,03	117,26	119,48	121,68
1400	73,289	76,292	79,237	82,128	84,969	87,763	90,513	93,223	95,893	98,527	101,13	103,69	106,23	108,73	111,21	113,66	116,08	118,48	120,85	123,2	125,53	127,84
1500	76,739	79,883	82,966	85,993	88,968	91,894	94,774	97,611	100,41	103,16	105,89	108,57	111,23	113,85	116,44	119,01	121,54	124,05	126,54	129	131,44	133,86
1600	80,113	83,395	86,614	89,774	92,88	95,934	98,941	101,9	104,82	107,7	110,54	113,35	116,12	118,85	121,56	124,24	126,89	129,51	132,1	134,67	137,22	139,74
1700	83,417	86,834	90,186	93,477	96,71	99,891	103,02	106,1	109,14	112,14	115,1	118,02	120,91	123,76	126,58	129,36	132,12	134,85	137,55	140,23	142,88	145,5
1800	86,657	90,207	93,689	97,107	100,47	103,77	107,02	110,23	113,38	116,5	119,57	122,61	125,6	128,56	131,49	134,39	137,25	140,09	142,89	145,67	148,43	151,16
1900	89,837	93,518	97,128	100,67	104,15	107,58	110,95	114,27	117,55	120,77	123,96	127,11	130,21	133,28	136,32	139,32	142,29	145,23	148,14	151,02	153,87	156,7
2000	92,962	96,771	100,51	104,17	107,78	111,32	114,81	118,25	121,63	124,98	128,27	131,53	134,74	137,92	141,06	144,17	147,24	150,28	153,29	156,27	159,23	162,15
2100	96,036	99,971	103,83	107,62	111,34	115	118,61	122,16	125,66	129,11	132,51	135,88	139,2	142,48	145,72	148,93	152,11	155,25	158,36	161,44	164,49	167,52
2200	99,061	103,12	107,1	111,01	114,85	118,62	122,34	126	129,61	133,17	136,69	140,16	143,58	146,97	150,31	153,62	156,9	160,14	163,35	166,53	169,67	172,79
2300	102,04	106,22	110,32	114,35	118,3	122,19	126,02	129,79	133,51	137,18	140,8	144,37	147,9	151,39	154,83	158,24	161,62	164,96	168,26	171,53	174,78	177,99
2400	104,98	109,28	113,5	117,64	121,71	125,71	129,65	133,53	137,35	141,13	144,85	148,53	152,16	155,74	159,29	162,8	166,27	169,7	173,1	176,47	179,81	183,11
2500	107,87	112,29	116,63	120,88	125,06	129,18	133,23	137,21	141,14	145,02	148,85	152,62	156,35	160,04	163,69	167,29	170,86	174,39	177,88	181,34	184,77	188,16
2600	110,73	115,27	119,72	124,09	128,38	132,6	136,75	140,85	144,88	148,86	152,79	156,67	160,5	164,28	168,02	171,72	175,38	179,01	182,59	186,14	189,66	193,15
2700	113,55	118,2	122,77	127,25	131,65	135,98	140,24	144,44	148,57	152,66	156,68	160,66	164,59	168,47	172,3	176,1	179,85	183,57	187,24	190,89	194,49	198,07
2800	116,34	121,11	125,78	130,37	134,88	139,31	143,68	147,98	152,22	156,4	160,53	164,6	168,62	172,6	176,53	180,42	184,27	188,07	191,84	195,57	199,27	202,93
2900	119,09	123,97	128,76	133,46	138,07	142,61	147,08	151,48	155,82	160,1	164,33	168,5	172,62	176,69	180,71	184,69	188,63	192,52	196,38	200,2	203,98	207,73
3000	121,82	126,81	131,7	136,51	141,23	145,87	150,44	154,95	159,39	163,76	168,08	172,35	176,56	180,72	184,84	188,91	192,94	196,92	200,87	204,78	208,65	212,48



Resulting stress < omax
Resulting stress > omax

$$\sigma_x = \frac{W \left(\theta \cdot \sin \theta + \left(\frac{2\pi}{T} \right)^2 \cdot \frac{\theta}{180} \cdot \pi \cdot Z \right) l_x}{4 \cdot V_{x-x}}$$

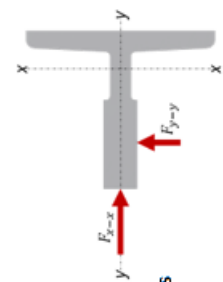


For loads on x-x axis

T125/B - Maximum distance between brackets [mm]

Weight [kg]	Height [m]																					
	8	10	12	14	16	18	20	22	24	26	28	30	32	34	36	38	40	42	44	46	48	50
500	3319,3	3253,3	3192,3	3135,6	3082,7	3033,3	2986,8	2943,1	2901,8	2862,8	2825,8	2790,6	2757,1	2725,1	2694,6	2665,4	2637,5	2610,6	2584,9	2560,1	2536,2	2513,2
600	3123,6	3061,5	3004,1	2950,7	2901,7	2854,4	2810,7	2769,6	2730,7	2694	2659,1	2626	2594,5	2564,4	2535,7	2508,3	2482	2456,7	2432,5	2409,1	2386,7	2365,1
700	2907,1	2808,2	2853,6	2802,9	2755,7	2711,4	2669,9	2630,8	2594	2559	2525,9	2494,5	2464,6	2436	2408,7	2382,6	2357,6	2333,7	2310,6	2288,5	2267,2	2246,6
800	2838	2781,5	2729,4	2680,9	2635,7	2593,4	2553,7	2516,3	2481	2447,6	2416	2385,9	2357,3	2330	2303,9	2278,9	2255	2232,1	2210	2188,8	2168,5	2148,8
900	2728,7	2674,5	2624,3	2577,7	2534,2	2493,6	2455,4	2419,4	2385,5	2353,4	2323	2294	2266,5	2240,3	2215,2	2191,2	2168,2	2146,1	2124,9	2104,6	2085	2066,1
1000	2634,5	2582,2	2533,7	2488,7	2446,8	2407,5	2370,6	2335,9	2303,2	2272,2	2242,8	2214,9	2188,3	2162,9	2138,7	2115,6	2093,4	2072,1	2051,6	2031,9	2013	1994,8
1100	2552,1	2501,4	2454,5	2410,9	2370,3	2332,2	2296,5	2262,9	2231,2	2201,1	2172,7	2145,6	2119,9	2095,3	2071,8	2049,4	2027,9	2007,3	1987,5	1968,4	1950,1	1932,4
1200	2479,2	2429,9	2384,3	2342	2302,5	2265,5	2230,9	2198,2	2167,4	2138,2	2110,6	2084,3	2059,3	2035,4	2012,6	1990,8	1969,9	1949,9	1930,6	1912,1	1894,3	1877,1
1300	2413,9	2365,9	2321,6	2280,3	2241,9	2205,9	2172,1	2140,3	2110,3	2081,9	2055	2029,4	2005	1981,8	1959,6	1938,4	1918,1	1898,6	1879,8	1861,8	1844,4	1827,7
1400	2355	2308,2	2264,9	2224,7	2187,2	2152,1	2119,1	2088,1	2058,8	2031,1	2004,8	1979,9	1956,1	1933,5	1911,8	1891,1	1871,3	1852,2	1833,9	1816,4	1799,4	1783,1
1500	2301,5	2255,7	2213,4	2174,1	2137,4	2103,1	2070,9	2040,6	2012	1984,9	1959,3	1934,9	1911,6	1889,5	1868,3	1848,1	1828,7	1810,1	1792,3	1775,1	1758,5	1742,6
1600	2252,5	2207,7	2166,3	2127,8	2092	2058,4	2026,9	1997,2	1969,2	1942,7	1917,6	1893,7	1871	1849,3	1828,6	1808,8	1789,8	1771,6	1754,1	1737,3	1721,1	1705,5
1700	2207,4	2163,5	2123	2085,3	2050,1	2017,2	1986,3	1957,2	1929,8	1903,8	1879,2	1855,8	1833,5	1812,3	1792	1772,6	1754	1736,2	1719	1702,5	1686,7	1671,4
1800	2165,8	2122,7	2082,9	2045,9	2011,4	1979,1	1948,8	1920,3	1893,4	1867,9	1843,7	1820,8	1798,9	1778,1	1758,2	1739,1	1720,9	1703,4	1686,6	1670,4	1654,8	1639,8
1900	2127,1	2084,8	2045,7	2009,4	1975,5	1943,8	1914	1886	1859,6	1834,5	1810,8	1788,3	1766,8	1746,3	1726,8	1708,1	1690,2	1673	1656,4	1640,6	1625,3	1610,5
2000	2091	2049,5	2011	1975,3	1942	1910,8	1881,6	1854	1828	1803,4	1780,1	1757,9	1736,8	1716,7	1697,5	1679,1	1661,5	1644,6	1628,4	1612,8	1597,7	1583,2
2100	2057,3	2016,4	1978,6	1943,4	1910,7	1880	1851,2	1824,1	1798,5	1774,3	1751,4	1729,6	1708,8	1689	1670,1	1652	1634,7	1618,1	1602,1	1586,7	1572	1557,7
2200	2025,6	1985,4	1948,1	1913,5	1881,3	1851,1	1822,7	1796,1	1770,9	1747	1724,4	1703	1682,5	1663	1644,4	1626,6	1609,5	1593,2	1577,4	1562,3	1547,7	1533,5
2300	1995,8	1956,2	1919,5	1885,4	1853,6	1823,9	1795,9	1769,6	1744,8	1721,3	1699,1	1677,9	1657,8	1638,6	1620,2	1602,7	1585,9	1569,7	1554,1	1539,1	1524,6	1510,4
2400	1967,7	1928,6	1892,4	1858,8	1827,5	1798,2	1770,6	1744,7	1720,2	1697,1	1675,1	1654,3	1634,4	1615,5	1597,4	1580,1	1563,5	1547,4	1531,8	1516,7	1502,1	1487,9
2500	1941,1	1902,6	1866,9	1833,7	1802,8	1773,9	1746,7	1721,1	1697	1674,2	1652,5	1631,9	1612,3	1593,7	1575,8	1558,8	1542,5	1526,8	1511,6	1496,9	1482,6	1468,7
2600	1915,9	1877,8	1842,6	1809,9	1779,4	1750,8	1724	1698,8	1675	1652,4	1631	1610,7	1591,4	1573	1555,8	1538,8	1522,3	1506,2	1490,5	1475,2	1460,3	1445,8
2700	1892	1854,4	1819,6	1787,3	1757,1	1728,9	1702,5	1677,5	1654	1631,8	1610,7	1590,6	1571,5	1553,3	1535,6	1518,4	1501,6	1485,2	1469,2	1453,5	1438,2	1423,3
2800	1869,2	1832	1797,7	1765,7	1736	1708,1	1681,9	1657,3	1634,1	1612,1	1591,2	1571,4	1552,5	1533,9	1515,6	1497,7	1480,1	1462,8	1445,8	1429,1	1412,7	1396,7
2900	1847,4	1810,7	1776,8	1745,2	1715,8	1688,2	1662,4	1638,1	1615,1	1593,4	1572,7	1553,1	1534,7	1516,5	1498,6	1480,9	1463,5	1446,4	1429,5	1412,9	1396,6	1380,6
3000	1826,7	1790,4	1756,8	1725,6	1696,5	1669,3	1643,7	1619,6	1596,9	1575,4	1555,1	1535,1	1515,4	1496,1	1477,1	1458,4	1440,0	1421,8	1403,9	1386,3	1369,0	1351,9

δmax 3 mm E 210000 Mpa Ix 151 cm⁴ θy 22,5 ° Ty 10 s



For loads on x-x axis

$$l_x = \sqrt{\frac{W}{2} \left(g \cdot \sin \theta + \left(\frac{\pi}{2T} \right)^2 \cdot \frac{\theta}{180} \cdot \pi \cdot Z \right)}$$

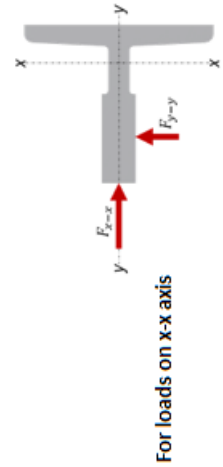
- Value
- Max distance, | > 2900 mm
- Max distance, 2900 mm > | > 2500 mm
- Max distance, 2500 mm > | > 2000 mm
- Max distance, 2000 mm > | > 1500 mm
- Max distance, 1500 mm > | > 1000 mm
- Max distance, | < 1000 mm
- Exceeds maximum allowable stress

T125/B - Resulting stress for maximum distance between brackets [MPa]

Weight [kg]	Height [m]										omax	180 Mpa	E 210000 Mpa	Zx 26,16 cm³	θy 22,5 °	Ty 10 s						
	8	10	12	14	16	18	20	22	24	26							28	30	32	34	36	38
500	39,607	41,23	42,821	44,383	45,919	47,429	48,915	50,379	51,822	53,246	54,65	56,037	57,407	58,761	60,099	61,422	62,732	64,028	65,31	66,581	67,839	69,086
600	44,726	46,558	48,355	50,12	51,853	53,559	55,237	56,89	58,52	60,127	61,714	63,28	64,826	66,355	67,866	69,361	70,839	72,303	73,751	75,186	76,607	78,015
700	49,566	51,597	53,589	55,544	57,466	59,355	61,216	63,048	64,854	66,635	68,393	70,129	71,843	73,537	75,212	76,868	78,507	80,128	81,734	83,324	84,898	86,459
800	54,181	56,401	58,578	60,715	62,816	64,882	66,918	68,918	70,892	72,839	74,761	76,658	78,532	80,383	82,214	84,025	85,816	87,588	89,343	91,081	92,803	94,508
900	58,607	61,008	63,363	65,675	67,947	70,182	72,381	74,548	76,683	78,789	80,868	82,92	84,947	86,95	88,93	90,888	92,826	94,743	96,642	98,521	100,38	102,23
1000	62,872	65,448	67,974	70,454	72,891	75,288	77,648	79,972	82,263	84,522	86,752	88,953	91,128	93,277	95,401	97,502	99,58	101,64	103,67	105,69	107,69	109,67
1100	66,996	69,741	72,433	75,076	77,673	80,227	82,742	85,218	87,66	90,067	92,443	94,789	97,106	99,396	101,66	103,9	106,11	108,31	110,48	112,62	114,75	116,86
1200	70,998	73,906	76,759	79,56	82,312	85,019	87,683	90,308	92,895	95,446	97,964	100,45	102,91	105,33	107,73	110,1	112,45	114,77	117,07	119,35	121,61	123,84
1300	74,889	77,957	80,966	83,921	86,824	89,679	92,489	95,258	97,987	100,68	103,33	105,96	108,55	111,11	113,64	116,14	118,61	121,06	123,49	125,89	128,27	130,63
1400	78,682	81,906	85,067	88,171	91,221	94,221	97,174	100,08	102,95	105,78	108,57	111,32	114,04	116,73	119,39	122,02	124,62	127,2	129,74	132,27	134,77	137,24
1500	82,385	85,761	89,071	92,321	95,515	98,656	101,75	104,79	107,8	110,76	113,68	116,56	119,41	122,23	125,01	127,76	130,49	133,18	135,85	138,49	141,11	143,7
1600	86,007	89,531	92,987	96,38	99,714	102,99	106,22	109,4	112,53	115,63	118,68	121,69	124,66	127,6	130,51	133,38	136,22	139,04	141,82	144,58	147,32	150,02
1700	89,555	93,224	96,822	100,35	103,83	107,24	110,6	113,91	117,18	120,39	123,57	126,71	129,8	132,86	135,89	138,88	141,84	144,77	147,67	150,55	153,39	156,21
1800	93,033	96,845	100,58	104,25	107,86	111,41	114,9	118,34	121,73	125,07	128,37	131,63	134,84	138,02	141,17	144,28	147,35	150,4	153,41	156,39	159,35	162,28
1900	96,448	100,4	104,27	108,08	111,82	115,5	119,11	122,68	126,19	129,66	133,08	136,46	139,79	143,09	146,35	149,57	152,76	155,92	159,04	162,13	165,2	168,23
2000	99,803	103,89	107,9	111,84	115,71	119,51	123,26	126,95	130,58	134,17	137,71	141,2	144,66	148,07	151,44	154,77	158,07	161,34	164,57	167,77	170,94	174,09
2100	103,1	107,33	111,47	115,54	119,53	123,46	127,33	131,14	134,9	138,61	142,26	145,87	149,44	152,96	156,45	159,89	163,3	166,67	170,01	173,32	176,6	179,84
2200	106,35	110,71	114,98	119,18	123,3	127,35	131,34	135,28	139,15	142,97	146,74	150,47	154,15	157,78	161,37	164,93	168,44	171,92	175,37	178,78	182,16	185,51
2300	109,55	114,04	118,44	122,76	127,01	131,18	135,29	139,34	143,34	147,27	151,16	154,99	158,78	162,53	166,23	169,89	173,51	177,09	180,64	184,16	187,64	191,09
2400	112,7	117,32	121,85	126,29	130,66	134,96	139,19	143,35	147,46	151,51	155,51	159,45	163,35	167,2	171,01	174,78	178,5	182,19	185,84	189,46	193,04	196,59
2500	115,81	120,56	125,21	129,78	134,27	138,68	143,03	147,31	151,53	155,69	159,8	163,85	167,86	171,82	175,73	179,6	183,43	187,22	190,97	194,68	198,36	202,01
2600	118,88	123,75	128,53	133,22	137,82	142,36	146,82	151,21	155,54	159,82	164,03	168,19	172,31	176,37	180,39	184,36	188,29	192,18	196,03	199,84	203,62	207,36
2700	121,91	126,9	131,8	136,61	141,34	145,98	150,56	155,07	159,51	163,89	168,21	172,48	176,7	180,86	184,98	189,06	193,09	197,07	201,02	204,93	208,81	212,64
2800	124,9	130,02	135,04	139,96	144,8	149,57	154,25	158,87	163,42	167,91	172,34	176,71	181,03	185,3	189,52	193,69	197,82	201,91	205,96	209,96	213,93	217,86
2900	127,86	133,09	138,23	143,28	148,23	153,11	157,9	162,63	167,29	171,88	176,42	180,9	185,32	189,69	194,01	198,28	202,51	206,69	210,83	214,93	218,99	223,02
3000	130,78	136,14	141,39	146,55	151,62	156,61	161,51	166,35	171,11	175,81	180,45	185,03	189,55	194,02	198,44	202,81	207,14	211,41	215,65	219,85	224	228,12

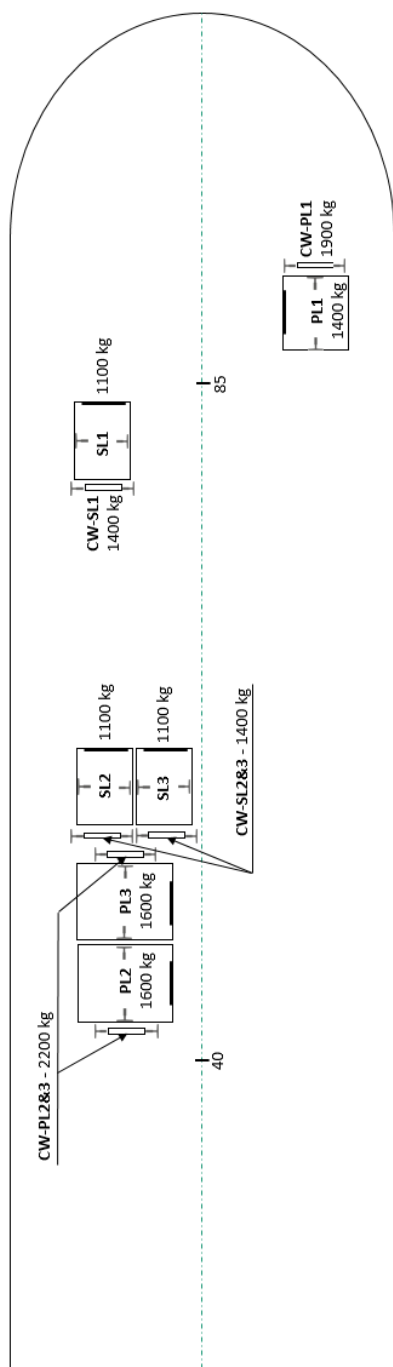
Resulting stress < omax
Resulting stress > omax

$$\sigma_x = \frac{W \left(\rho \cdot \sin \theta + \left(\frac{\pi}{T} \right)^2 \cdot \frac{\theta}{180} \cdot \pi \cdot Z \right) l_x}{4 \cdot V_{x-x}}$$



Vard PNO1967 "Sunshine"

Main deck	3
Loa	145 m
Breadth Mid.	20 m
Depth bulchead	6,8 m
Rotation axis from BL	3,4 m



Passenger lift		PL1	PL2	PL3
Type		Traction	Traction	Traction
Trunk size, LxW		2300x2400	2500x2100	2500x2100
Car size, LxWxH		1525x1525x2200	2030x1370x2200	2030x1370x2200
Speed		1 / 1,6	1 / 1,6	1 / 1,6
Travelling height		14,7	17,7	17,7
Deck travel		3 to 8	3 to 9	3 to 9
Stops		6	7	7
Shaft head		3700	3700	3700
Pit		1100	1100	1100
Distance to mass		18,6	21,6	21,6

Service lift		SL1	SL2	SL3
Type		Traction	Traction	Traction
Trunk size, LxW		2100x1600	2100x1600	2100x2100
Car size, LxWxH		1350x1100x2200	1350x1100x2200	1350x1100x2200
Speed		1 / 1,6	1 / 1,6	1 / 1,6
Travelling height		14,7	14,7	14,7
Deck travel		2 to 7	3 to 8	3 to 8
Stops		6	6	6
Top		3600	3600	3600
Pit		1100	1100	1100
Distance to mass		15,8	18,6	18,6

Capacity	1000	1200	1200
Car weight	1400	1600	1600
Absolut weight	2400	2800	2800
CW	1900	2200	2200

Capacity	600	600	600
Car weight	1100	1100	1100
Absolut weight	1700	1700	1700
CW	1400	1400	1400

Elevator/CW	BRK direction	Weight, W[kg]	Height, Z[m]	GR Dimention	BRK distance, [m]	Stress [Mpa]	Deflection [mm]	GR length needed, h[m]
PL1	Longitudinal	1400	18,6	T90/B	1,8	89,7	2,56	37
PL2	Longitudinal	1600	21,6	T90/B	1,7	103,6	2,64	43
PL3	Longitudinal	1600	21,6	T90/B	1,7	103,6	2,64	43
CW - PL1	Transverse	1900	18,6	T90/B	1,6	120,9	2,51	37
CW - PL2	Transverse	2200	21,6	T90/B	1,5	140,5	2,57	43
CW - PL3	Transverse	2200	21,6	T90/B	1,5	140,5	2,57	43
SL1	Transverse	1100	15,8	T90/B	2	81,8	2,66	37
SL2	Transverse	1100	18,6	T90/B	2	87,5	2,84	37
SL3	Transverse	1100	18,6	T90/B	2	87,5	2,84	37
CW - SL1	Transverse	1400	15,8	T70-1/A	1,5	150,9	2,75	37
CW - SL2	Transverse	1400	18,6	T70-1/A	1,5	161,5	2,95	37
CW - SL3	Transverse	1400	18,6	T70-1/A	1,5	161,5	2,95	37

Estimation

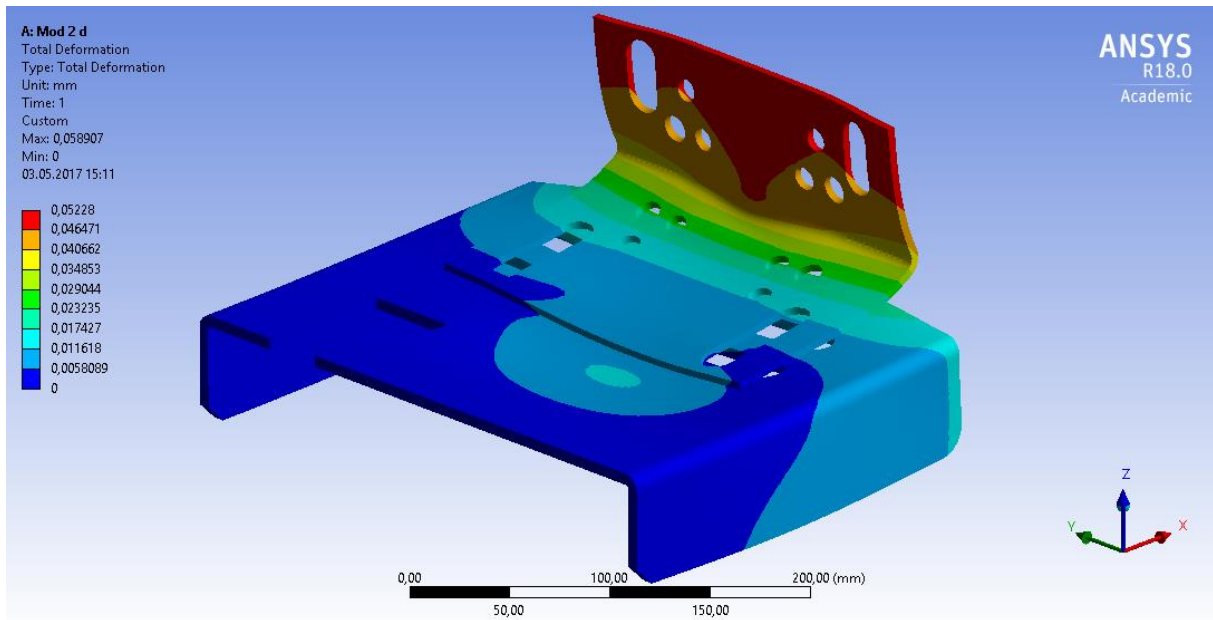
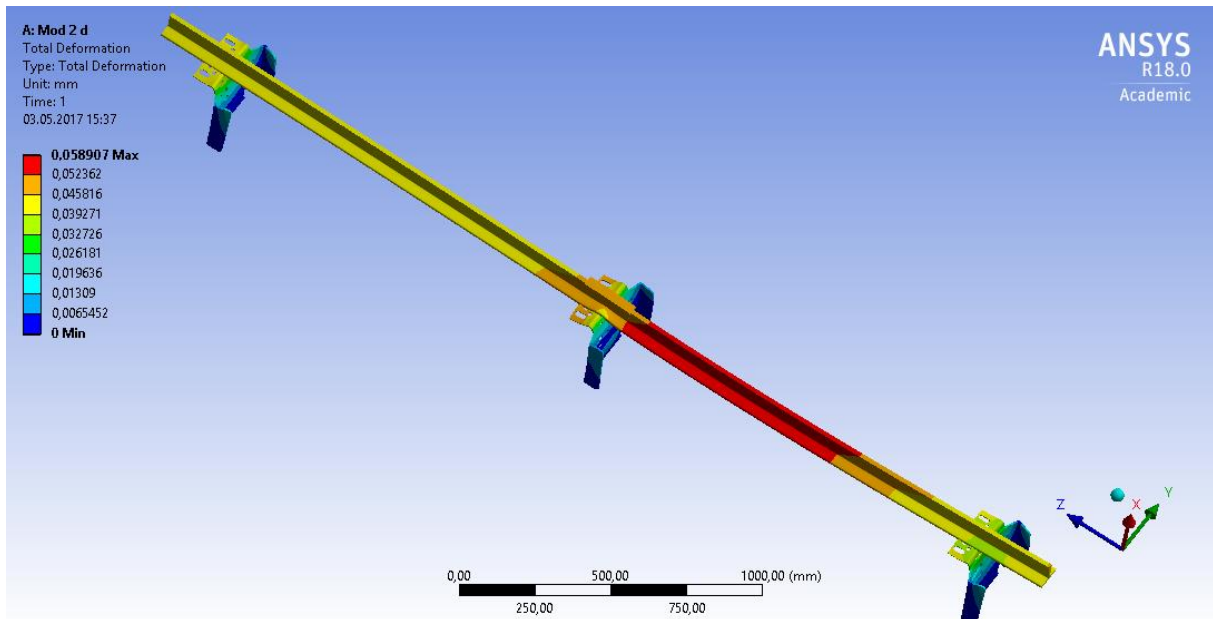
T70-1/A	T75-3/B	T82/B	T89/B	T90/B	T114/B	T125/B
23				72		
1012				4896		
1564				11098		

Procurement
 Nr of GR á 5 m
 Weight [kg]
 Price [EUR]

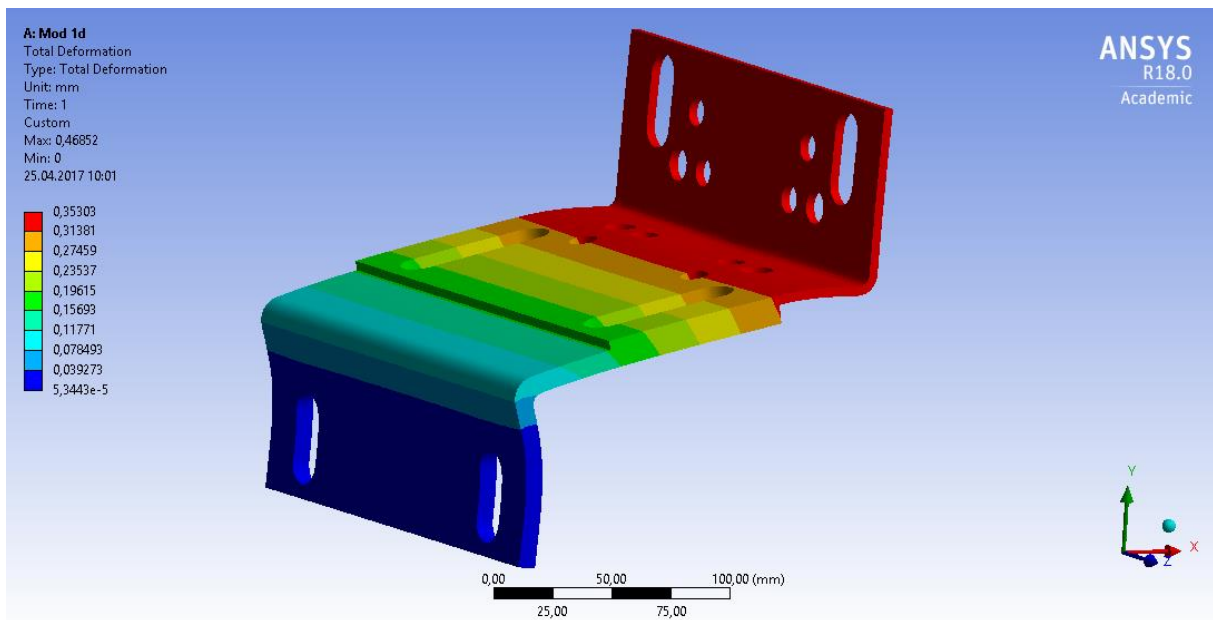
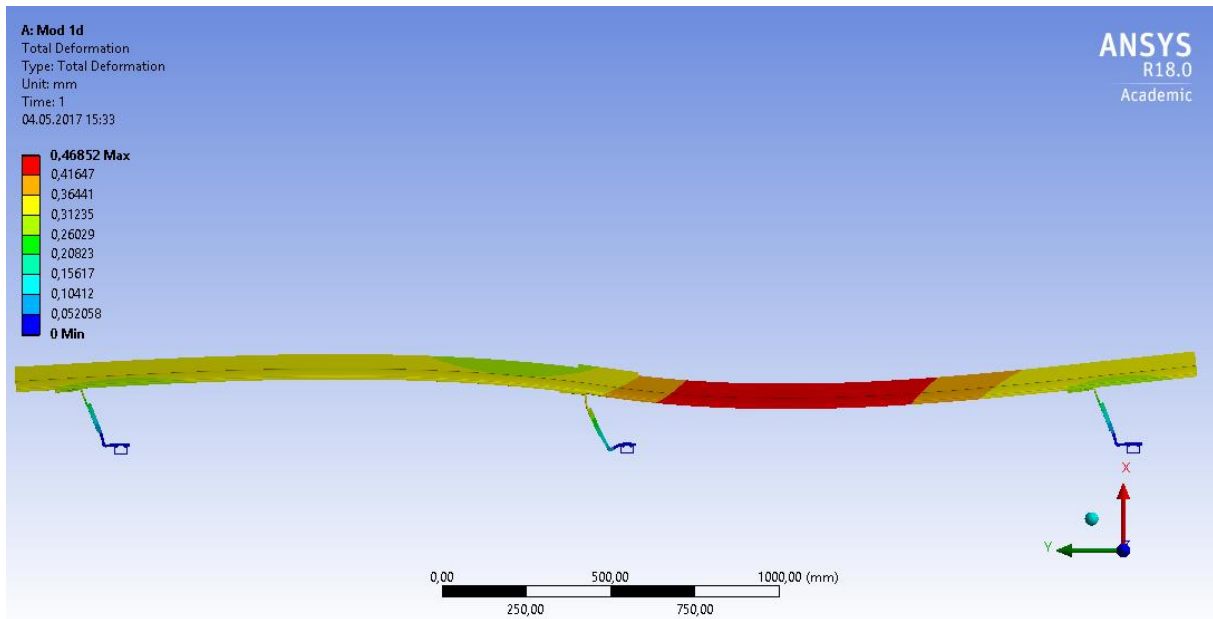
Flip page!

Load case 1: Direct load on x-x

Welded bracket:

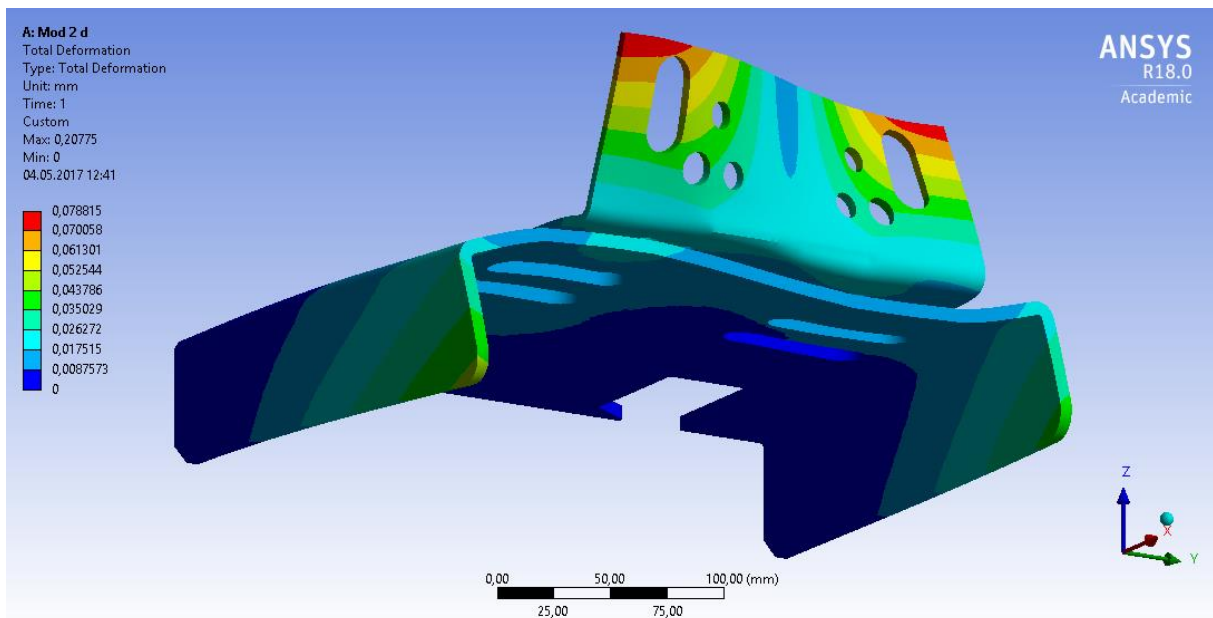
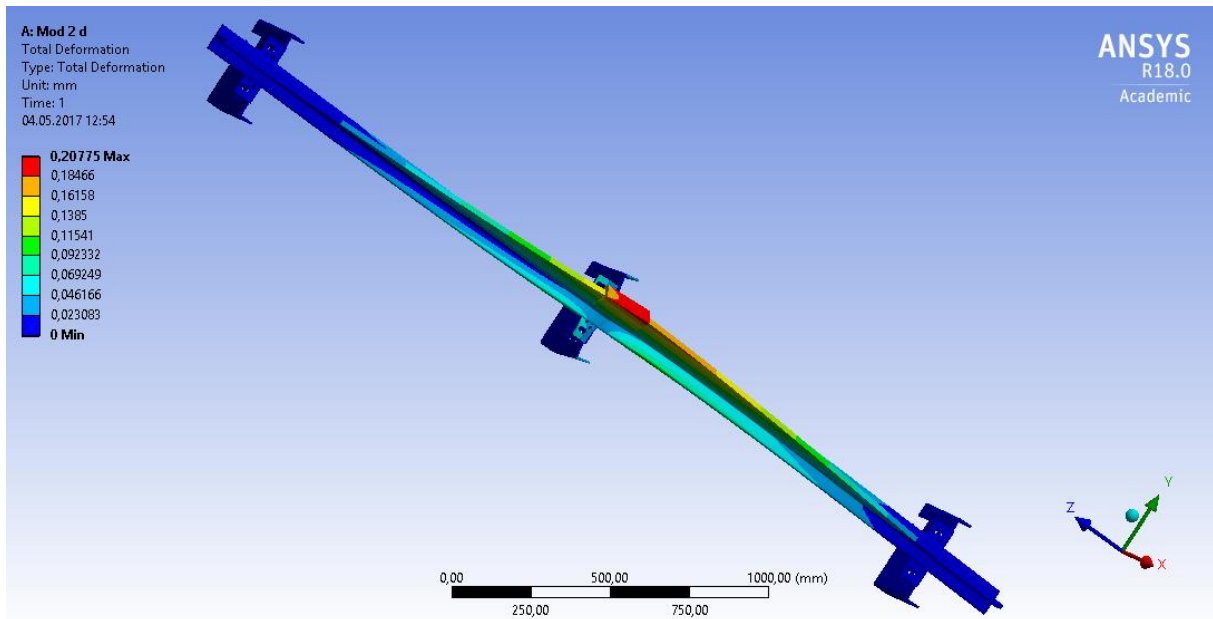


Adjustable bracket:

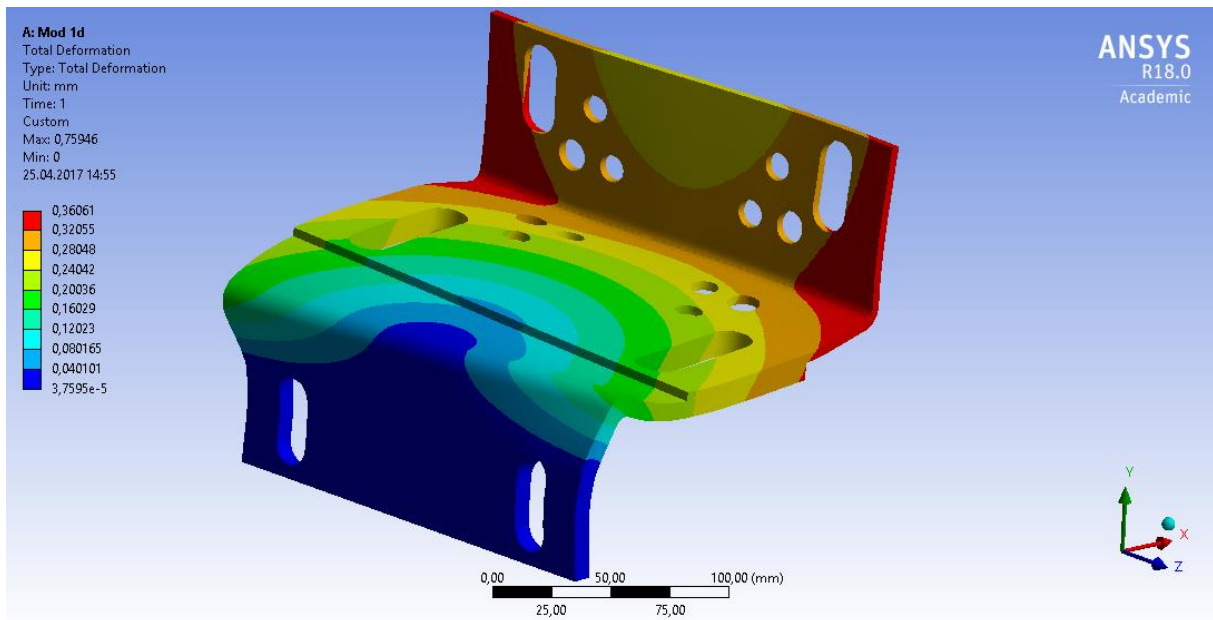
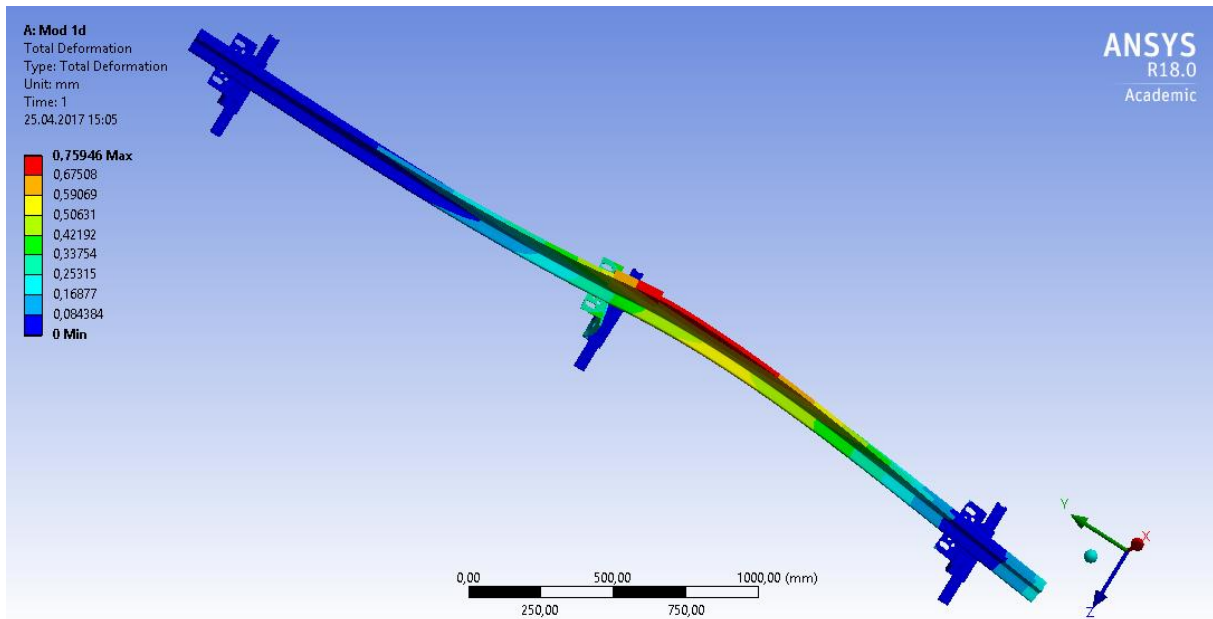


Load case 2: Direct load on y-y

Welded bracket:

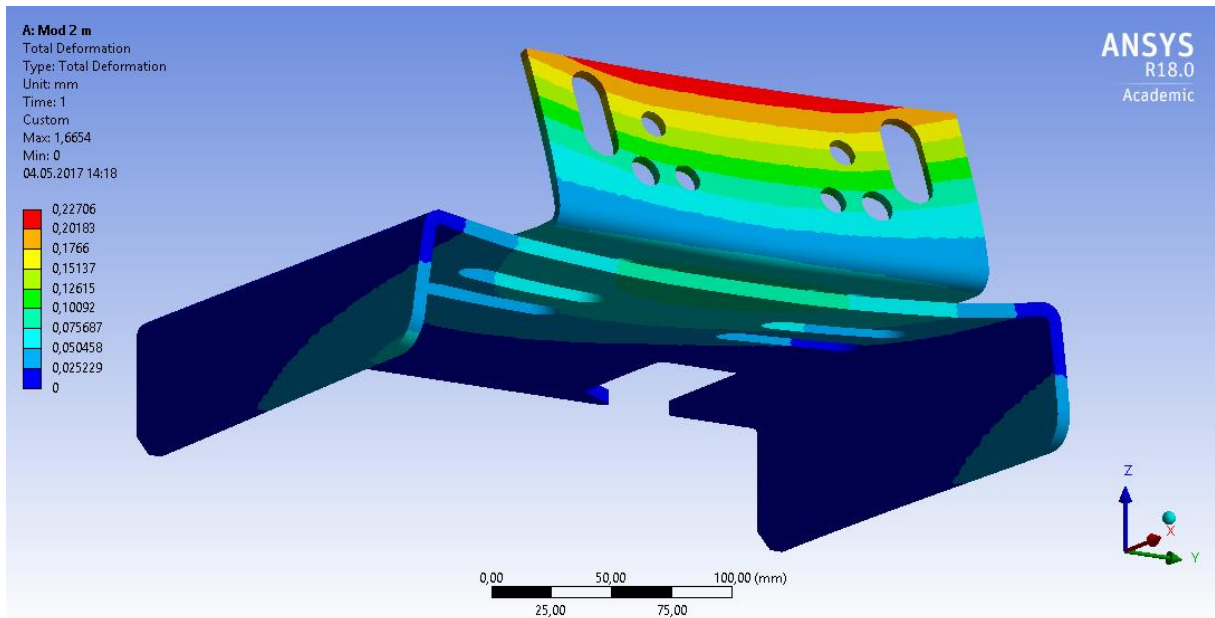
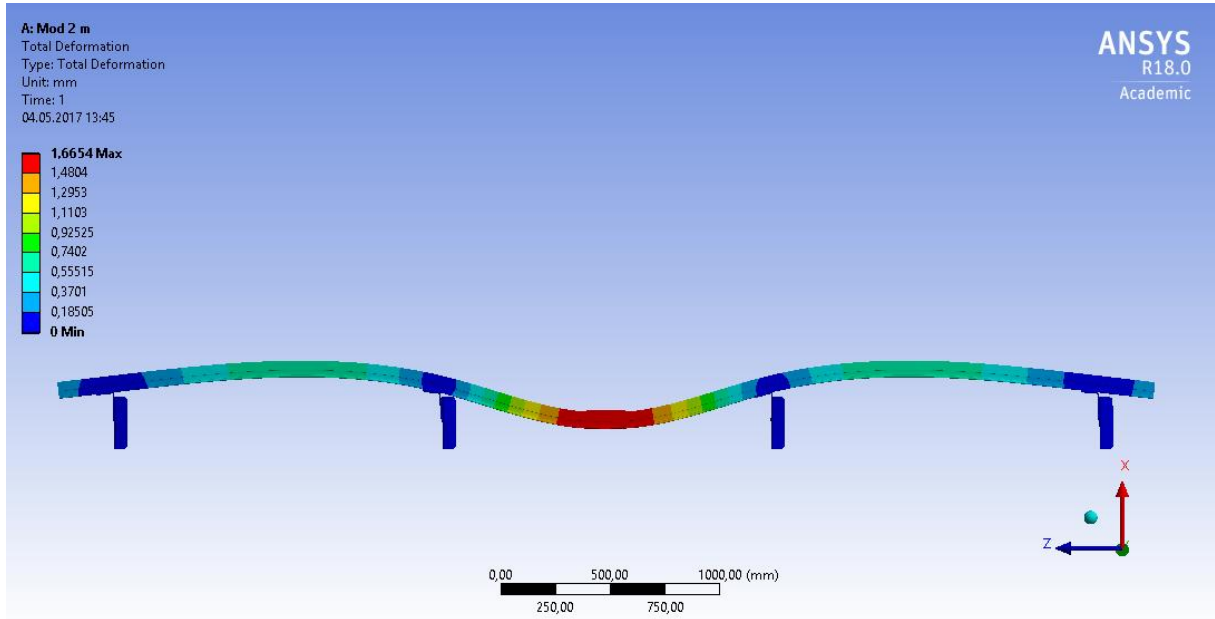


Adjustable bracket:

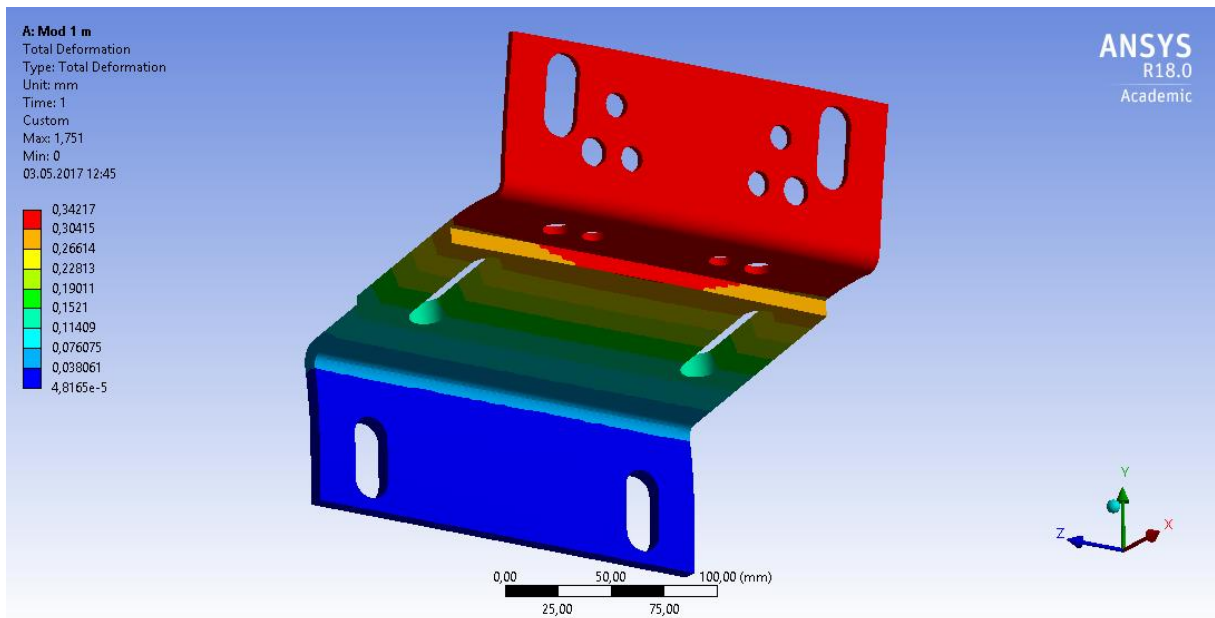
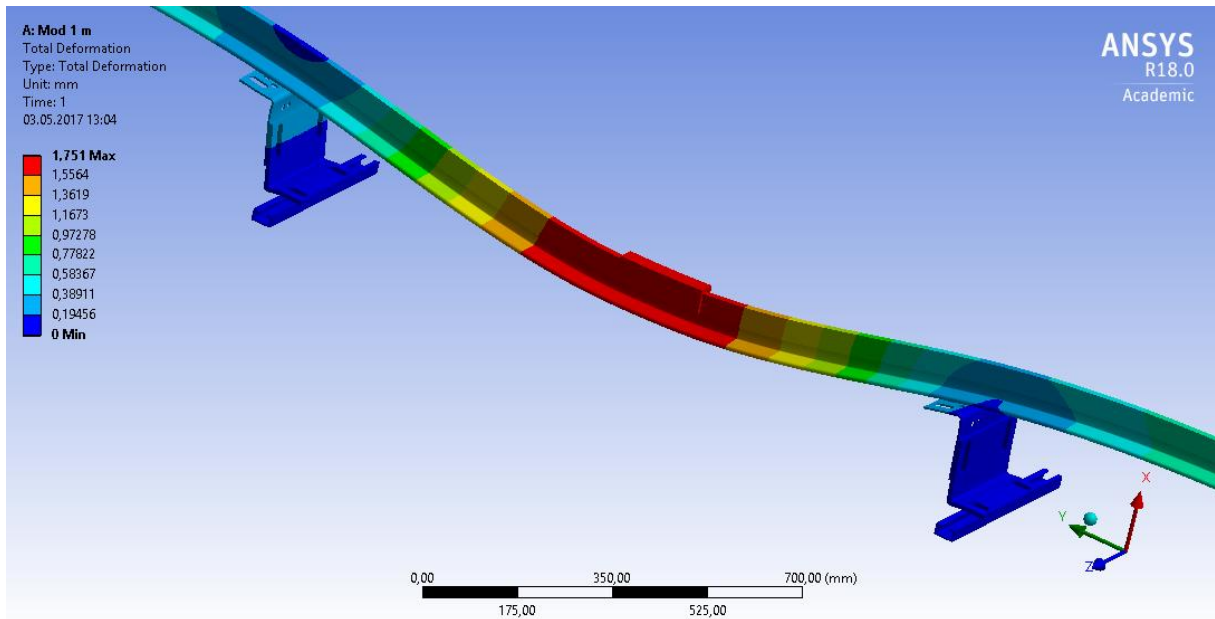


Load case 3: Centered load on x-x

Welded bracket:

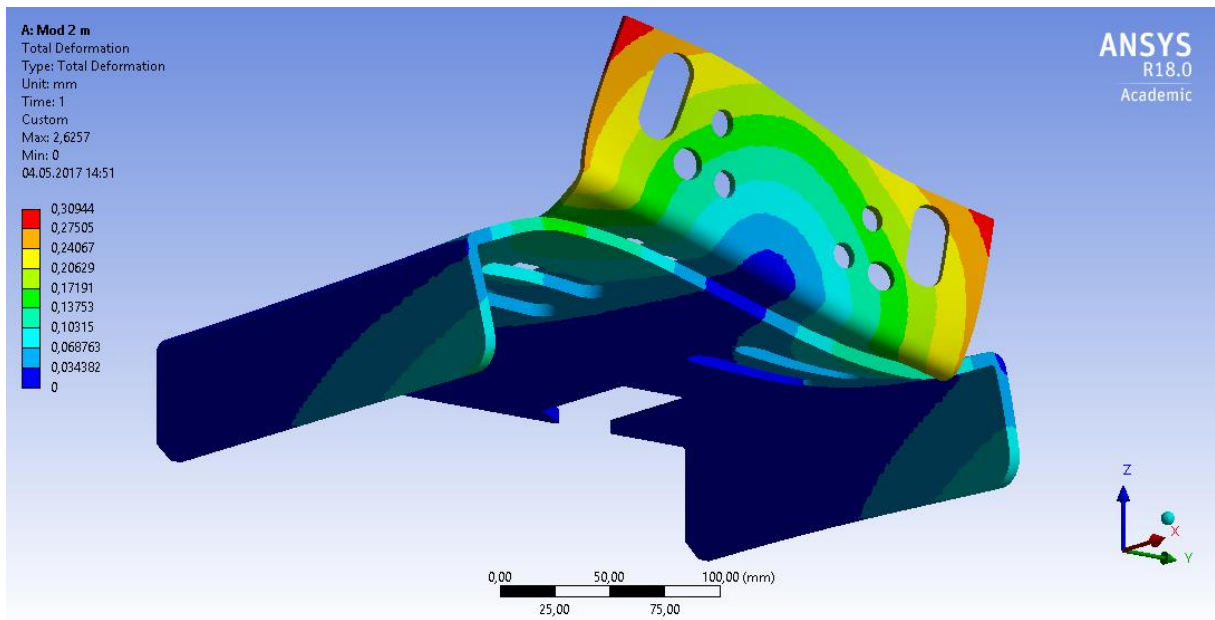
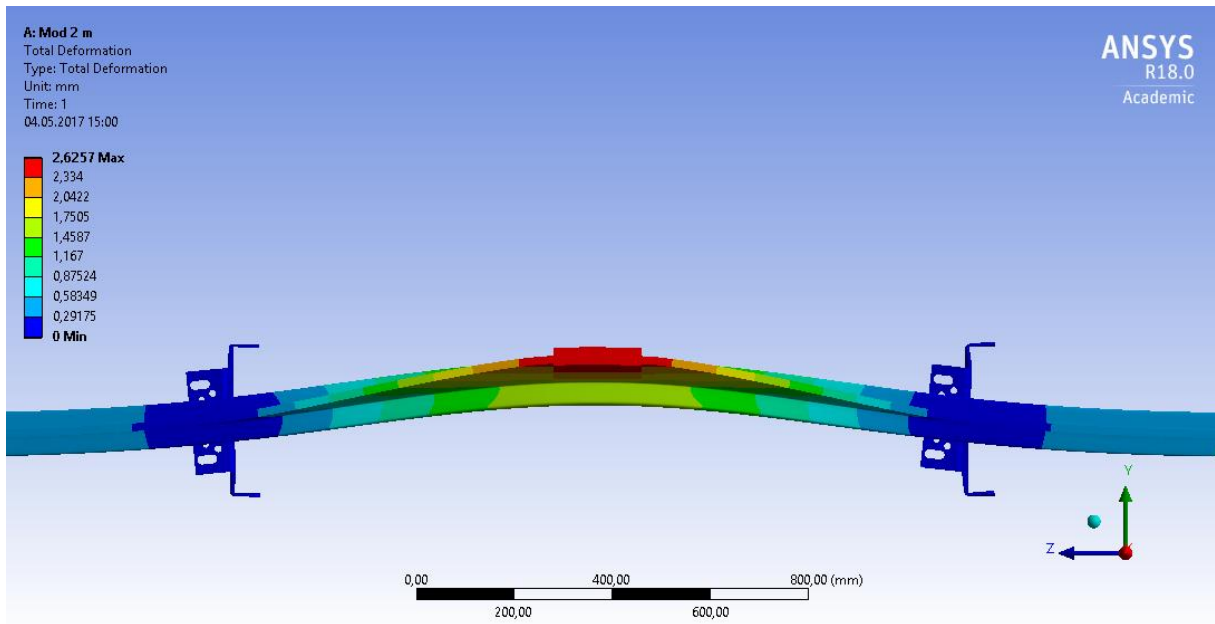


Adjustable bracket:

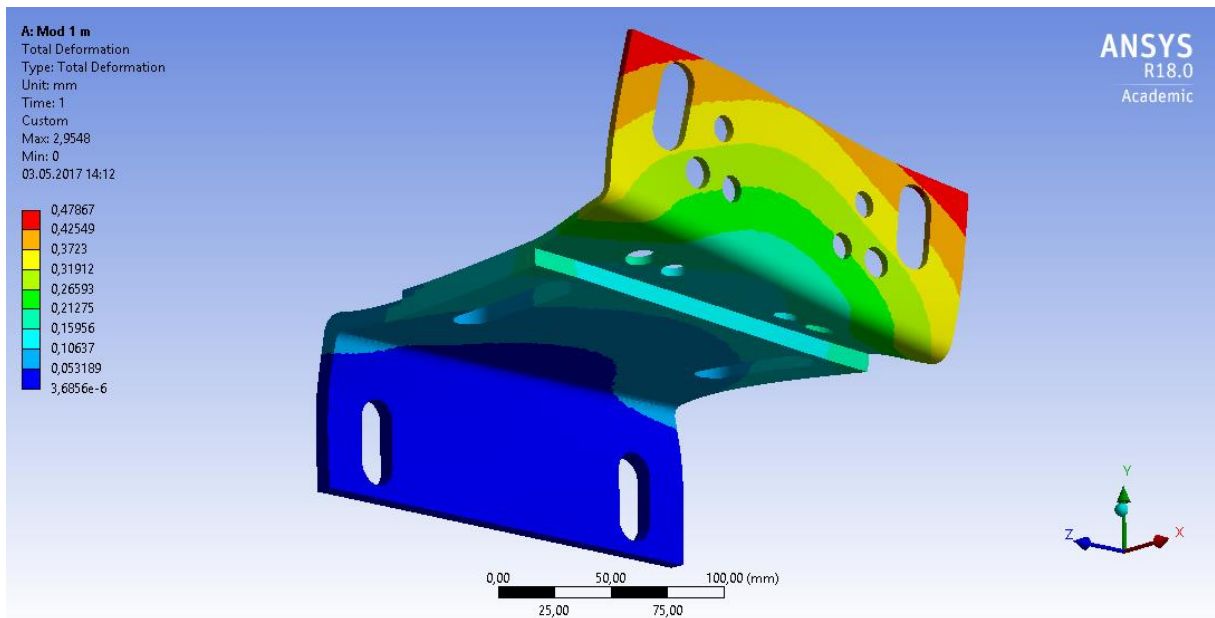
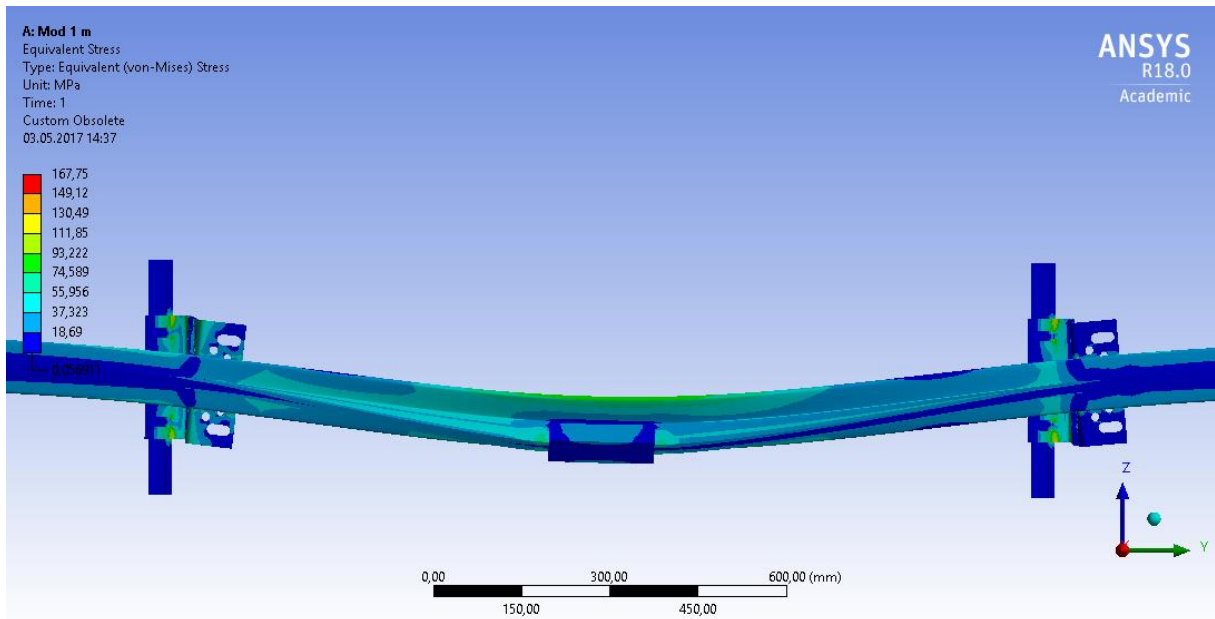


Load case 4: Centered load on y-y

Welded bracket:

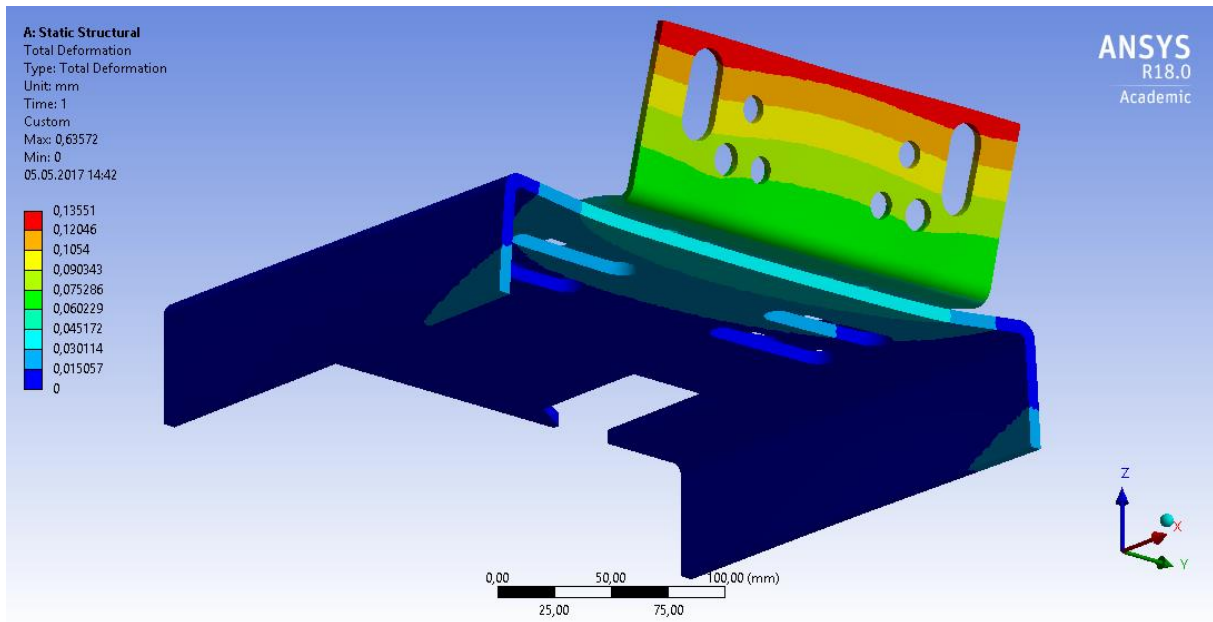


Adjustable bracket:

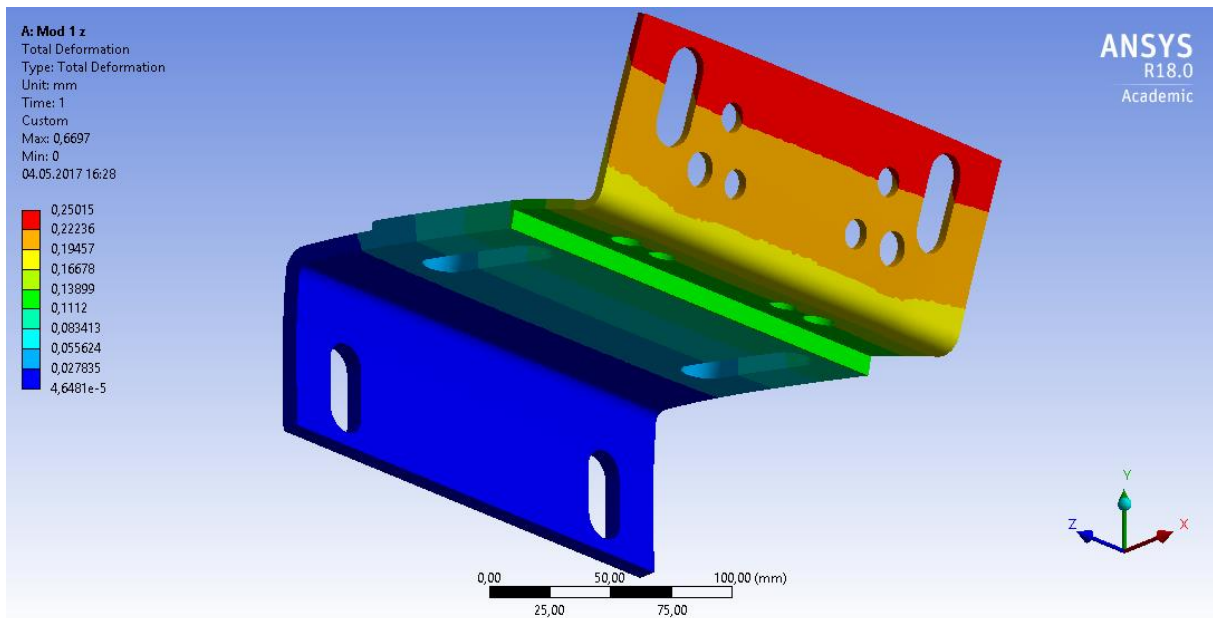


Load case 5: Vertical drag with slip

Welded bracket:



Adjustable bracket:



Title: *Optimization of Elevator Guide Systems for Marine Installations*

Abstract

A gap in knowledge is identified amounts the suppliers of marine elevators in Norway. Traditionally, their methods are based on the expertise from land-based installations, where the dimensions of the critical components are increased drastically in order to compensate for the potential impacts caused by the maritime conditions. In relation to this, there are reason to suspect over-engineering that effects both the weight and cost of the finished products. In order to get an installation certified, the system must be validated against the requirements for marine operations set by a certification society. When the maritime conditions are introduced, the elevator components responsible for maintaining the structural stability is referred to as the Elevator Guide System. This system contains a set of guide rails that shall provide a sufficient support of the moving elements within the shaft and several brackets along the guide that connects the rail to the trunk wall.

An extensive study on existing standards related to the issue is conducted in order to identify the essential requirements and how they relate to the application. Based on this research, the mathematical relationships are defined and applied for the appropriate components in order to develop an optimized method for sizing of the guide rails. In addition, a structural analysis is performed for the system, using two alternative constructions for the bracket solution. The alternative methods for executing the installation of the guide system are defined as four separate concepts that are assessed against the principles of complexity, risk and cost.

The analytic results reviled an applicable and highly effective method for sizing of the guide rails, where the optimal dimension within the requirements is suggested for any given project. The conducted FEM-simulation provided a sufficient validation for both bracket solutions against the applied worst-case load conditions that were identified. An estimation of the potential savings across the concepts for installation indicated a significant difference in expenditures related to the applied specifications on sizing method and bracket solution.

The assessment carried out in this study suggests that the concepts based on the traditional method of sizing should not be considered for future installations as the overall reduction potential indicates a substantial advantage of implementing the optimized method, which has been approved by DNV GL as an appropriate method for validation. In addition, the applied bracket solution can severely influence the installation time. However, the preferred bracket is only applicable for elevator trunks with smooth surfaces, which really is the case, as shipyards tend to locate the necessary stiffeners on the inside of the elevator shaft. To resolve this issue, the supplier should address this in the early stages of a project, indicating the bracket placement. In doing so, the opportunity of implementing the best possible solution for each individual installation should be made feasible.